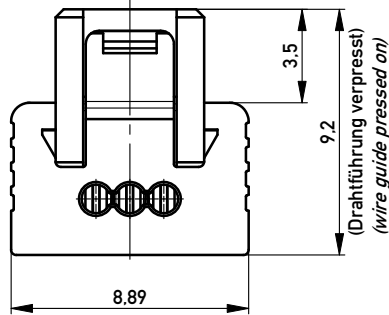
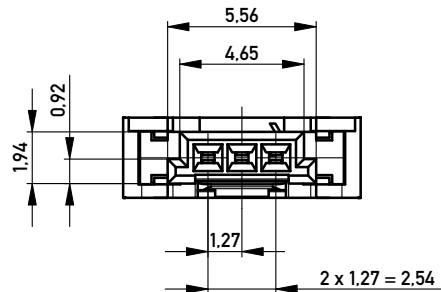


Flachbandkabelführung: schwarz
wire guide: black

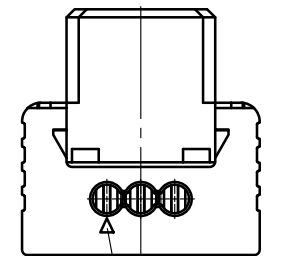
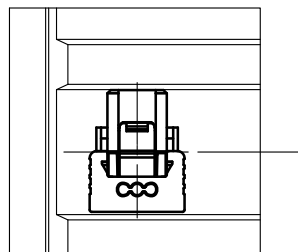
11.4
mit aufgesetzter Drahtführung
(Anlieferungszustand)
with wire guide mounted
(state at time of supply)



3.5
9.2
(Drahtführung verpresst)
(wire guide pressed on)

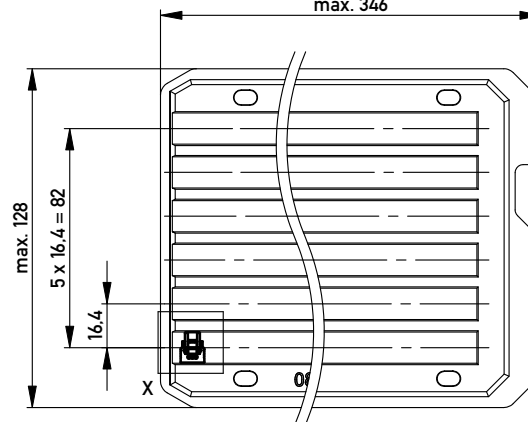


Einzelheit X - detail X
M 2:1



Kontaktbezeichnung
contact marking

Verpackt in Tray - tray packaging
Verpackungseinheit 204 Stück - packaging unit 204 pcs
max. 346



Information: ohne Hilfsmittel lösbar without tool unlockable	Tolerances All Dimensions in mm	Scale	5:1
		Designation 1,27 SRC P SKV, 3-polig 1,27 SRC P IDC, 3-pin	
All rights reserved. Only for Information. To ensure that this is the latest version of this drawing, please contact one of the ERNI companies before using.	Subject to modification without prior notice. Drawing will not be updated.	234452	
		B Index	10.11.2008 Date
		Class	SRCP

Copyright by ERNI GmbH
 Proprietary notice pursuant to ISO 16016 to be observed.