



Product Compliance



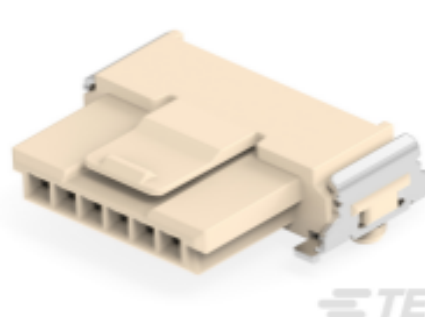

[For compliance documentation, visit the product page on TE.com>](#)

EU RoHS Directive 2011/65/EU	Compliant
EU ELV Directive 2000/53/EC	Not Yet Reviewed
China RoHS 2 Directive MIIT Order No 32, 2016	有害物质含量符合标准要求 No Restricted Substance(s) Above Threshold
EU REACH Regulation (EC) No. 1907/2006	Current ECHA Candidate List: JUNE 2025 (250) Candidate List Declared Against: JUNE 2025 (250) Does not contain REACH SVHC
Halogen Content	Not Yet Reviewed for halogen content
Solder Process Capability	Not reviewed for solder process capability

Product Compliance Disclaimer

This information is provided based on reasonable inquiry of our suppliers and represents our current actual knowledge based on the information they provided. This information is subject to change. The part numbers that TE has identified as EU RoHS compliant have a maximum concentration of 0.1% by weight in homogenous materials for lead, hexavalent chromium, mercury, PBB, PBDE, DBP, BBP, DEHP, DIBP, and 0.01% for cadmium, or qualify for an exemption to these limits as defined in the Annexes of Directive 2011/65/EU (RoHS2). Finished electrical and electronic equipment products will be CE marked as required by Directive 2011/65/EU. Components may not be CE marked. Additionally, the part numbers that TE has identified as EU ELV compliant have a maximum concentration of 0.1% by weight in homogenous materials for lead, hexavalent chromium, and mercury, and 0.01% for cadmium, or qualify for an exemption to these limits as defined in the Annexes of Directive 2000/53/EC (ELV). Regarding the REACH Regulation, the information TE provides on SVHC in articles for this part number is based on the latest European Chemicals Agency (ECHA) 'Guidance on requirements for substances in articles' posted at this URL: <https://echa.europa.eu/guidance-documents/guidance-on-reach>

Compatible Parts

 <p>TE Part # 284691-E SRCA 1,27 6 F 1 I2426 137 E1 105 1,07 TR</p>	 <p>TE Part # 474895-E SRCA 1,27 6 F 1 IDC22 137 E1 105 1,27 TR</p>	 <p>TE Part # 444750-E SRCP 1,27 6 F 1 SMD 137 * 105 * GURT RLV</p>	 <p>TE Part # 214158-E SRCA 1,27 6 F 1 I2426 137 E1 094 1,07 TR</p>
--	--	--	--



TE Part # 394909-E
SRCP 1,27 6 F 1 IDC22 137 E1 162 1,27 TR



TE Part # 214038-E
SRCP 1,27 6 F 1 I2426 137 * 162 1,07 TRA



TE Part # 224395-E
SRCP 1,27 6 F 1 I2426 137 * 162 1,07 TRA



TE Part # 384803-E
SRCP 1,27 6 F 1 SMD 137 * 168 * GURT VLP



TE Part # 394195-E
SRCP 1,27 2 F 1 I2426 137 * 162 1,27 TRA



TE Part # 394628-E
SRCP 1,27 6 F 1 I2426 137 E1 050 1,07 TR



TE Part # 394911-E
SRCP 1,27 6 F 1 IDC22 137 E1 162 1,27 TR



TE Part # 464244-E
SRCA 1,27 6 F 1 IDC22 137 E1 094 1,27 TR



TE Part # 464245-E
SRCA 1,27 6 F 1 IDC22 137 E1 094 1,27 TR



TE Part # 224399-E
SRCA 1,27 6 F 1 I2426 137 E1 094 1,07 TR




TE Part # 384804-E
SRCP 1,27 6 F 1 SMD 137 * 094 * GURT RLV

Customers Also Bought



TE Part #114017-ZZ
SEALING PLUG, SIZE 12/16, WHT



TE Part #CAT-D48-ST273
DEUTSCH Connector Solid Contacts



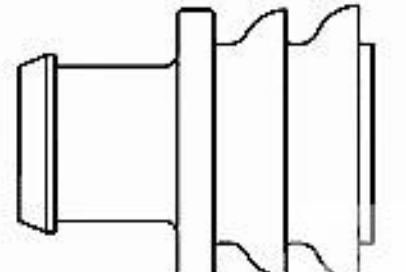
TE Part #CAT-D487-W416
Wedgelocks: DEUTSCH DT



TE Part #DT06-2S
PLG, 2P, GRY, N



TE Part #DT04-2P
REC, 2P, GRY, N



TE Part #281934-2
SINGLE WIRE SEAL



TE Part #CAT-AM71-CH8172
AMP SUPERSEAL 1.5MM, CONNECTOR HOUSING

Documents



CAD Files

Customer View Model

[ENG_CVM_CVM_214018-E_G.3d_igs.zip](#)

English

3D PDF

3D

Customer View Model

[ENG_CVM_CVM_214018-E_G.2d_dxf.zip](#)

English

Customer View Model

[ENG_CVM_CVM_214018-E_G.3d_stp.zip](#)

English

By downloading the CAD file I accept and agree to the [Terms and Conditions](#) of use.