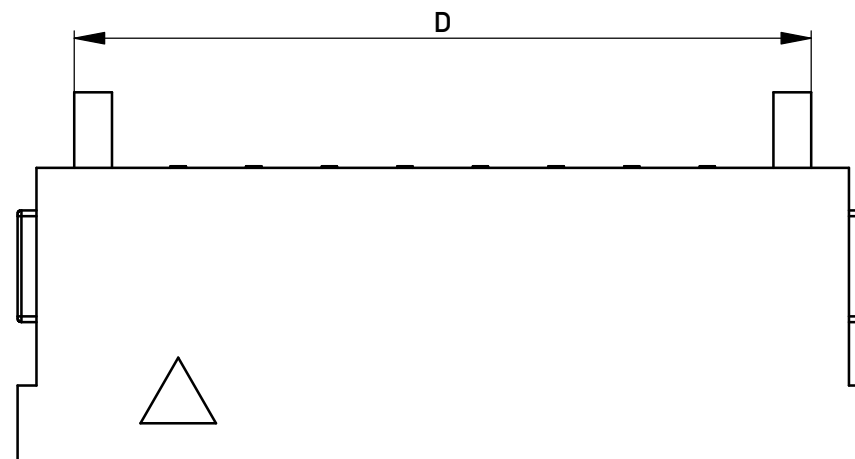
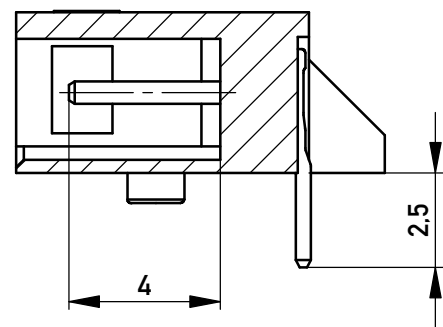


Verpackung Stange / *packaging tube*

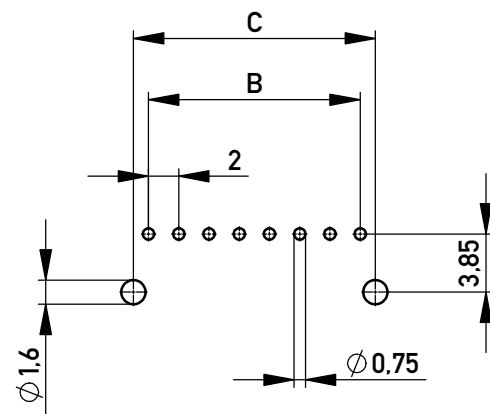
12	17
10	21
8	27
6	33
5	37
4	42
3	49
2	58
Polzahl No. of positions	Stück / pieces

SCHNITT A-A



**Layout:**

vorgeschlagene Toleranz für PCB Layout ± 0,05  
recommended PCB layout tolerance ± 0,05



Material und Oberfläche:  
*Material and plating:*

Gehäuse / *housing:* LCP, UL94V-0, natural  
Kontakt / *contact:* Kupferlegierung 2.5µm verzinnt, 1.25µm Ni rundum  
*Copper alloy*  
*2.5µm tin plating over 1.25µm Ni all over*

Maße und Toleranzen in Übereinstimmung mit ASME Y14.5-2009 /  
*Interpret dimensions according to ASME Y14.5-2009*

119939	12	30,5	22	24	27,5
119938	10	26,5	18	20	23,5
109946	8	22,5	14	16	19,5
109945	6	18,5	10	12	15,5
109944	5	16,5	8	10	13,5
109943	4	14,5	6	8	11,5
109942	3	12,5	4	6	9,5
109941	2	10,5	2	4	7,5
Ident.-Nr. <i>part-no.</i> <i>tube</i>	Polzahl	Mass A	Mass B	Mass C	Mass D

Information:		Tolerances		Scale	5:1
All rights reserved. Only for Information. To ensure that this is the latest version of this drawing, please contact one of the ERNI companies before using.		All Dimensions in mm		Designation	
Subject to modification without prior notice. Drawing will not be updated.		www.ERNI.com		iBridge male 2mm pitch Single Row R/A DIP	
c		06.09.2017		109940	
Index		Date		A3	
				Class	
				IBRIDGE	

Copyright by ERNI Production GmbH & Co. KG  
Proprietary notice pursuant to ISO 16016 to be observed.