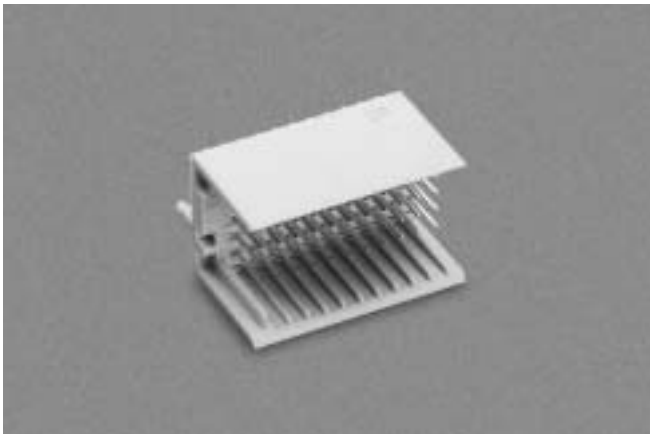


ERmet® 2mm Hard Metric Connectors

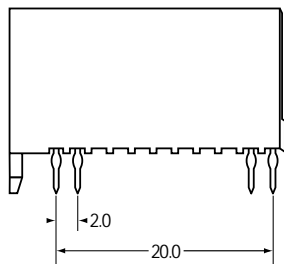
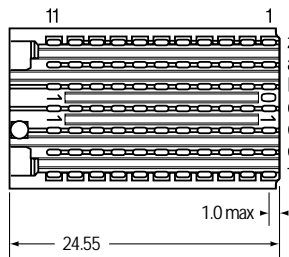
Vertical Male Connectors Type C For Backplanes



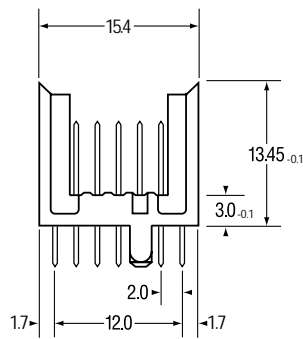
The ERmet type C vertical male connector provides 55 signal contacts and 22 ground shield contacts in 5+2 row x 11 position, fully loaded configuration. With 15 different standard pin lengths to choose from, this is one of the most versatile connectors available. The connector is designed for gas tight pressfit installation.

The ERmet type C vertical male connector incorporates pre-alignment guides but has no multi function cavity. This connector is designed to be used alone or in conjunction with either type B, L, M or N ERmet connectors, however it can only be installed at the lower end of a connector row. For detailed information on the modular stacking, see the information on type C positioning on page 15.

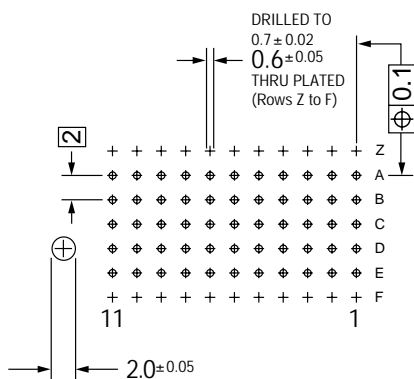
Dimensional Drawings



End View



Backplane Layout (viewed from connector side)



Dimensions shown are for reference purposes only. All dimensions are in millimeters (mm) unless otherwise noted. For backplane layout suggestions, see pages 123, 125, 127, 129 and 131.

