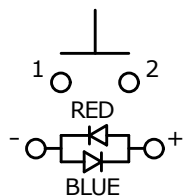
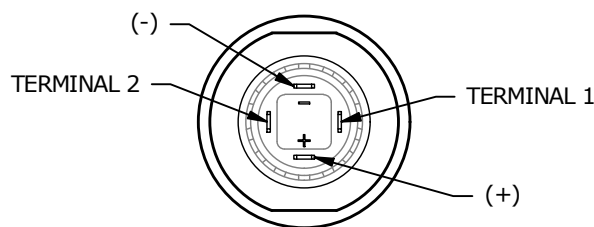
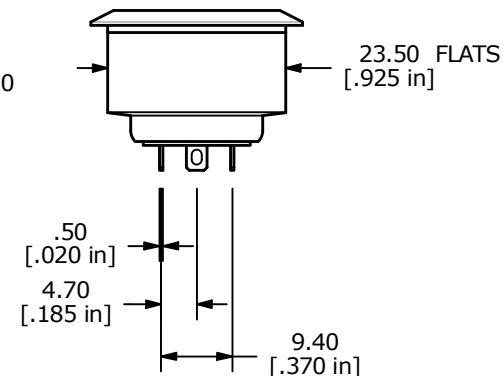
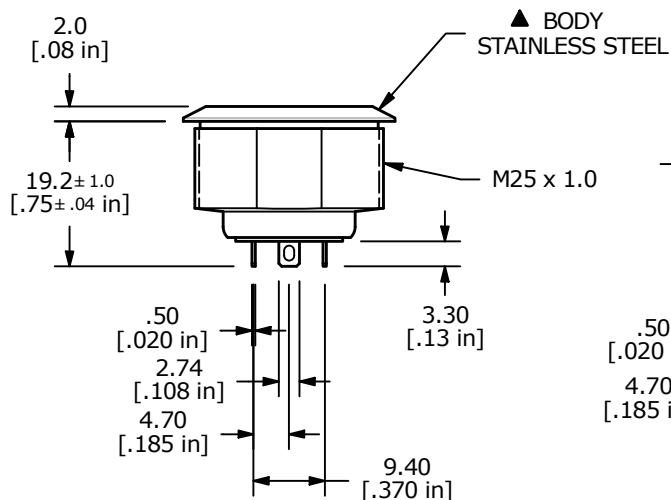
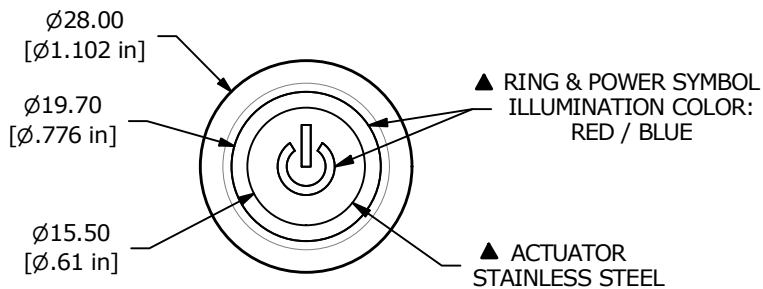


RECOMMENDED PANEL CUTOUT
 MAX. PANEL THICKNESS 1-6mm



SCHEMATIC
 SPST - OFF-(ON)
 () DENOTES MOMENTARY



- NOTE:
1. ALL DIMENSIONS IN MM [INCH]
 2. GENERAL TOLERANCE: X.X = ±0.4
 X.XX = ±0.25
 3. TERMINAL NUMBERS FOR REF ONLY
 4. CONTACT MATERIAL: SILVER
 5. RATING: 2A 36 VDC
 6. ELECTRIC LIFE: 200,000 CYCLES
 7. DIELECTRIC STRENGTH: 2,000 VAC MIN. FOR 1 MINUTE
 8. CONTACT RESISTANCE: 50mΩ MAX. @ 1A 12VDC
 9. OPERATING TEMP.: -20°C to 70°C
 10. ▲ DENOTES CRITICAL PARAMETER.
 11. LAMP VOLTAGE: RED 20mA 2.0V typ., BLUE 20mA 3.1V typ.
 12. TRAVEL: 1.80mm
 13. ACTUATION FORCE: 4.5 ± 1.5 N
 14. MOUNTING NUT TORQUE: 1-3 Nm
 15. INGRESS PROTECTION: IP67
 16. HARDWARE SUPPLIED: O-RING AND HEXNUT

REV	ECO NO	DESCRIPTION	DATE	BY	E-SWITCH®				OBJECT ID
D	ECO-101694	print update	03/06/23	MW	TITLE SV8F23SS-6H1				000025996
									SCALE 1:1

THE INFORMATION CONTAINED IN THIS DOCUMENT IS PROPRIETARY TO E-SWITCH AND IS NOT TO BE COPIED OR TRANSFERRED