

Vigilant® LED Area Light - CE

Technical Specifications



Ratings and Certifications

- 10 year warranty
- L70 >300,000 hours @ 65°C ambient
- RCM / CE / ENEC
- IP66 / 67
- IK07 (glass lens) / IK10 (polycarbonate lens)
- 0-10 V dimming as standard

*All features not available on every model. Please refer to product part number pages for model specifics.

Mechanical Information

Fixture weight:	
Glass:	5.4 kg (12 lb)
Polycarbonate:	4.5 kg (10 lb)
Shipping weight:	
Glass:	6.3 kg (14 lb)
Polycarbonate:	5.4 kg (12 lb)
Mounting:	Stainless steel, wall and pole mounting bracket options
Cable Entries:	Wall: (4) M25
Terminals:	Stanchion, Wall: 0.5-4mm ² x 5

Specifications

Voltage options:	100-277 VAC 50/60Hz, 120-250 VDC	Housing:	Copper-free aluminium
Operating temp:	-40°C to +65°C	Lens:	Hard-coated polycarbonate Tempered glass
Power factor:	>0.9	Finish:	Superior dual coat finish - Sealed polyester topcoat - Chemical-resistant epoxy primer
THD:	<20%	CRI:	80
Surge protection:	6kV / 3kA combination wave, as per IEEE C62.41, line-line and line-ground	CCT:	5000K (cool white) 4000K (neutral white) 2700K (neutral white)

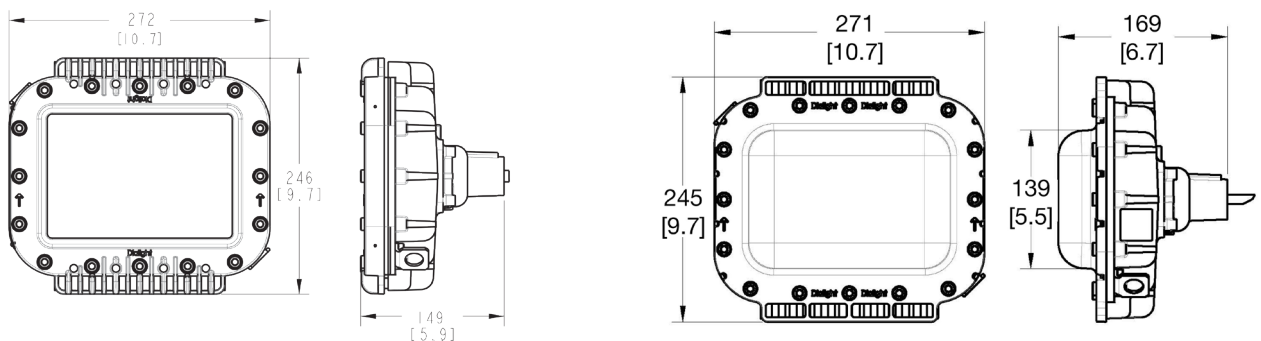
Comparison

	Warranty	L70
Dialight LED Area Light	10yr	>300,000
Metal Halide	1	15,000
High Pressure Sodium	1	20,000

Lumens Wattage lm/W Mounting Heights

Lumens	Wattage	lm/W	Mounting Heights
9,000	66	136	10m
5,700	40	143	↕
4,200	30	140	3m

Dimensions



When ordering please refer our website www.dialight.com to view the current versions of all relevant product documentation, including the most up-to-date product data sheets. For the avoidance of doubt, in the event of any discrepancy between the contents of this document and information provided on our website, the information provided on our website shall prevail.

Vigilant® LED Area Light - CE

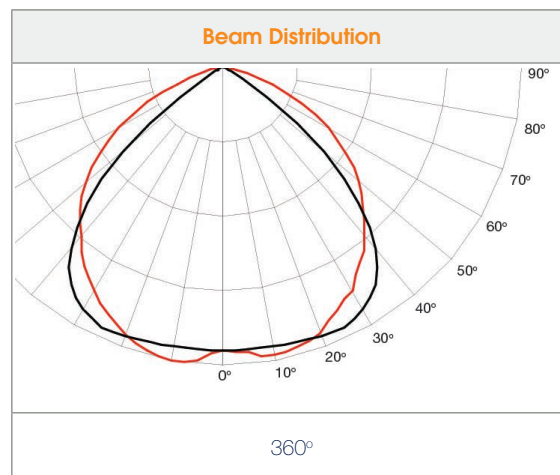
Australia Order Codes

Current Part Number	Historic Part Number	Fixture Lumens	Wattage	lm/W	Voltage	Colour Temperature (CCT)	Lens	Beam Distribution	Mounting Options
CE - 4000K Models									
ALE5BN27DBWMGN	STW9C2NEU	6,500	52	125	100-277 VAC, 120-250 VDC	4000K (neutral white)	Polycarbonate	360°	316 stainless steel adjustable bracket
ALE5BN27DWNUGN	STW9C2NW45EU	6,500	52	125	100-277 VAC, 120-250 VDC	4000K (neutral white)	Polycarbonate	360°	45° wall mount
ALE5BN27DSNUGN	STW9C2NS45EU	6,500	52	125	100-277 VAC, 120-250 VDC	4000K (neutral white)	Polycarbonate	360°	45° stanchion mount
ALE5BN29DBWMGN		8,100	66	123	100-277 VAC, 120-250 VDC	4000K (neutral white)	Polycarbonate	360°	316 stainless steel adjustable bracket
ALE7BN29DBWMGN		8,800	66	123	100-277 VAC, 120-250 VDC	4000K (neutral white)	Glass	360°	316 stainless steel adjustable bracket
CE - 2700K Models									
ALE5BW27DWNUGN	STW9C2NEU	6,100	52	117	100-277 VAC, 120-250 VDC	2700K (neutral white)	Polycarbonate	360°	316 stainless steel adjustable bracket
ALE5BW27DWNUGN	STW9C2NW45EU	6,100	52	117	100-277 VAC, 120-250 VDC	2700K (neutral white)	Polycarbonate	360°	45° wall mount
ALE5BW27DSNUGN	STW9C2NS45EU	6,100	52	117	100-277 VAC, 120-250 VDC	2700K (neutral white)	Polycarbonate	360°	45° stanchion mount

All values typical unless otherwise stated (tolerance +/- 10%).

Part numbers listed in **bold** are typically available in stock.

Please see made to order options page 39 for more models available.



Vigilant® LED Area Light - UL

Technical Specifications



Ratings and Certifications

- 10 year warranty
- L70 >300,000 hours @ 65°C ambient
- UL
- IP66 / 67 / 69
- IK07 (glass lens) / IK10 (polycarbonate lens)
- 0-10 V dimming as standard

*All features not available on every model. Please refer to product part number pages for model specifics.

Mechanical Information

Fixture weight:	
Glass:	5.4 kg (12 lb)
Polycarbonate:	4.5 kg (10 lb)
Shipping weight:	
Glass:	6.3 kg (14 lb)
Polycarbonate:	5.4 kg (12 lb)
Mounting:	Stainless steel, wall and pole mounting bracket options

Specifications

Voltage options:	100-277 VAC 50/60Hz, 120-250 VDC	Housing:	Copper-free aluminium
Operating temp:	-40°C to +65°C	Lens:	Hard-coated polycarbonate Tempered glass
Power factor:	>0.9	Finish:	Superior dual coat finish - Sealed polyester topcoat - Chemical-resistant epoxy primer
THD:	<20%	CRI:	80
Surge protection:	6kV, 2 Ohm line-line and line-ground	CCT:	5000K (cool white) 4000K (neutral white) 2700K (warm white)

Comparison

	Warranty	L70
Dialight LED Area Light	10yr	>300,000
Metal Halide	1	15,000
High Pressure Sodium	1	20,000

Lumens

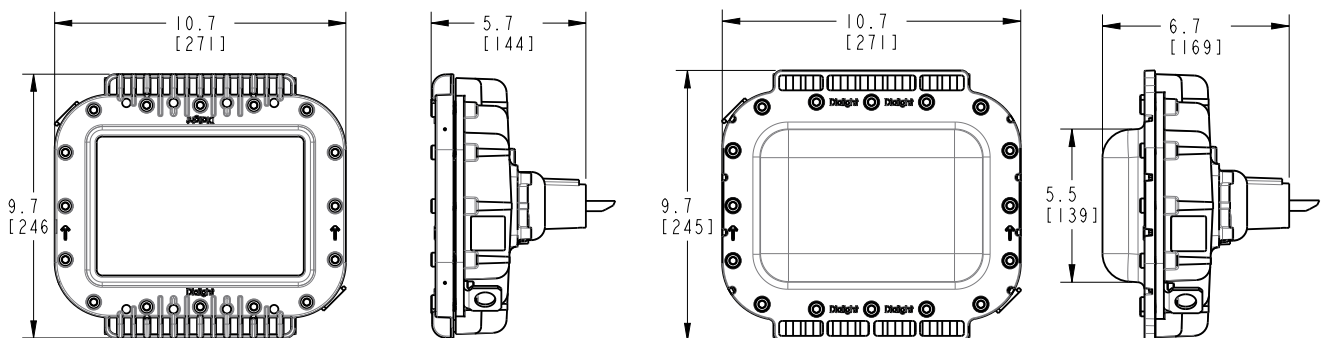
Wattage

lm/W

Mounting Heights

9,000	66	136	10m
5,700	40	143	↕
4,200	30	140	3m

Dimensions



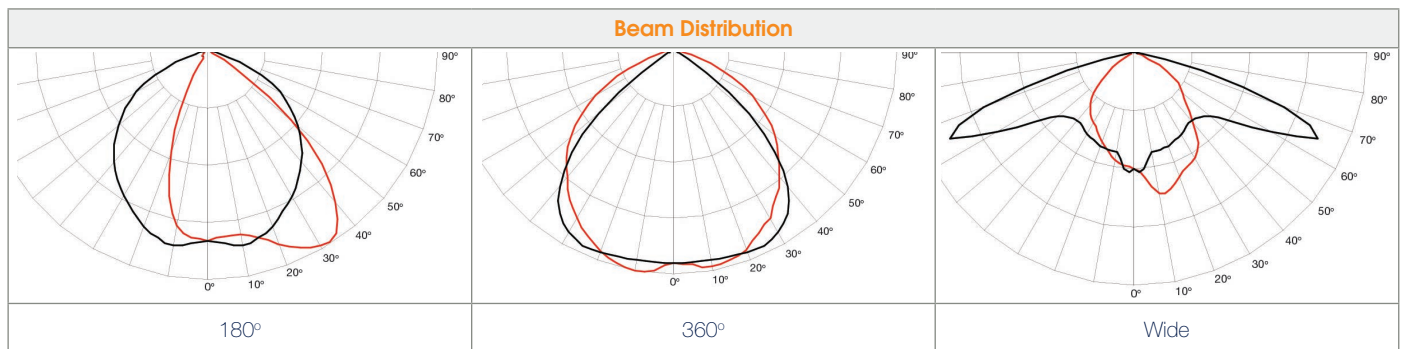
Dimension in inches [mm]

Vigilant® LED Area Light - UL

Asia Order Codes

Current Part Number	Historic Part Number	Fixture Lumens	Wattage	lm/W	Voltage	Colour Temperature (CCT)	Lens	Beam Distribution	Mounting Options
UL - 4000K Models									
ALU5BN23DBWNGN	STW3C2N	2,700	24	112.5	100-277 VAC, 120-250 VDC	4000K (neutral white)	Polycarbonate	360°	Stainless steel adjustable bracket
ALU5BN27DBWNGN	STW9C2N	6,500	52	125	100-277 VAC, 120-250 VDC	4000K (neutral white)	Polycarbonate	360°	Stainless steel adjustable bracket
ALU7BN29DBWNGN	STW3C2N	8,800	66	133	100-277 VAC, 120-250 VDC	4000K (neutral white)	Glass	360°	Stainless steel adjustable bracket
ALU5AN27DVNNGN	STW4C2NW01	6,400	52	123	100-277 VAC, 120-250 VDC	4000K (neutral white)	Polycarbonate	180°	Wall mount
ALU5BN27DVNNGN	STW5C2NW01	6,500	52	125	100-277 VAC, 120-250 VDC	4000K (neutral white)	Polycarbonate	360°	Wall mount
ALU5WN27DVNNGN	STW5C2NW01	6,500	52	125	100-277 VAC, 120-250 VDC	4000K (neutral white)	Polycarbonate	Wide	Wall mount
ALU5BN27DWNUGN	STW9C2NW45	6,500	52	125	100-277 VAC, 120-250 VDC	4000K (neutral white)	Polycarbonate	360°	Wall mount 45°
ALU5BN29DWNUGN		8,100	66	123	100-277 VAC, 120-250 VDC	4000K (neutral white)	Polycarbonate	360°	Wall mount 45°
ALU5BN27DSNUGN		8,100	66	123	100-277 VAC, 120-250 VDC	4000K (neutral white)	Polycarbonate	360°	Stanchion mount 45°
UL - 2700K Models									
ALU5BW23DBWNGN	STW3C2N	2,500	24	104	100-277 VAC, 120-250 VDC	2700K (neutral white)	Polycarbonate	360°	Stainless steel adjustable bracket
ALU5BW27DBWNGN	STW9C2N	6,100	52	117	100-277 VAC, 120-250 VDC	2700K (neutral white)	Polycarbonate	360°	Stainless steel adjustable bracket
ALU5BW27DWNUGN	STW9C2NW45	6,100	52	117	100-277 VAC, 120-250 VDC	2700K (neutral white)	Polycarbonate	360°	Wall mount 45°
ALU5BW27DSNUGN	STW9C2NS45	6,100	52	117	100-277 VAC, 120-250 VDC	2700K (neutral white)	Polycarbonate	360°	Stanchion mount 45°

All values typical unless otherwise stated (tolerance +/- 10%).
 Part numbers listed in **bold** are typically available in stock.
 Please see made to order options page 39 for more models available.



When ordering please refer our website www.dialight.com to view the current versions of all relevant product documentation, including the most up-to-date product data sheets. For the avoidance of doubt, in the event of any discrepancy between the contents of this document and information provided on our website, the information provided on our website shall prevail.

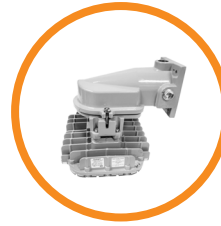
Vigilant® LED Area Light - CE/UL

Accessories



ALxxxx2xDNNxGN

- Adjustable mounting bracket



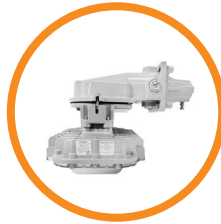
ALxxxx2xDVNxGN

- 0° wall mount



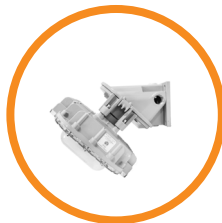
ALxxxx2xDSNxGN

- 45° stanchion mount



ALxxxx2xDYNxGN

- 35mm slip-fit pole mount



ALxxxx2xDWNxGN

- 45° wall mount



Certified to: UL 50E • CSA C22.2 No. 94.2-07

HZXSTAN100S

- 1.00" (1.315" Pole OD) slip-fit stanchion mount

HZXSTAN125S

- 1.25" (1.660" Pole OD) slip-fit stanchion mount

HZXSTAN052S

- 52mm slip-fit stanchion mount

HZXSTAN200S

- 2.00" (2.375" Pole OD) slip-fit stanchion mount

HZXSTAN100T

- 1.00" (1.315" Pole OD) NPT-threaded stanchion mount

HZXSTAN125T

- 1.25" (1.660" Pole OD) NPT-threaded stanchion mount

HZXSTAN150T

- 1.50" (1.900" Pole OD) NPT-threaded stanchion mount

HZXSTAN200T

- 2.00" (2.375" Pole OD) NPT-threaded stanchion mount



HZXW3

- 316 stainless steel bracket

HZXW7

- Aluminum bracket



HZXSAFECBLS

- Safety cable kit



HZXW4

- 316 stainless steel bracket with 1.5" pipe clamp

HZXW8

- Aluminum bracket with 1.5" pipe clamp

Vigilant® LED Area Light - CE/UL

Ordering Options

Product Type

Area Light

Certification

UL 1598/A, CSA 22.2 No. 250

CE / RCM

Lens Material

Polycarbonate - Diffused

Glass - Clear

Beam Distribution

180°

360°

Wide

CCT & CRI

Cool White 5000K - 80 CRI

Neutral White 4000K - 80 CRI

Warm White 2700K - 80 CRI

Operating Voltage

100-277 VAC, 120-250 VDC

Lumen Type

3,001 - 4,000 Lumens

4,001 - 5,000 Lumens

5,001 - 6,000 Lumens

6,001 - 7,000 Lumens

8,001 - 9,000 Lumens

Controls

Dimming (0-10 VDC)

Mounting Options

 Retro-fit Adapter

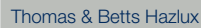
 Universal Mounting Adapter (UMA)

 Appleton Mercmaster III

Swivel Bracket, Locking 0° - 90°
316 Stainless Steel

 Crouse-Hinds - Champ

 GE Filtr-Gard

 Thomas & Betts Hazlux

 Killark Certilite & Certilite V

 Appleton Mercmaster II

3/4" NPT

 45° Stanchion Mount

 UMA - Mounting Hub

 0° Wall Mount

 45° Wall Mount

 34mm Conveyor Mount

*Retro-fit adapters are for use with UL certified products.

Hardware Accessories

Junction Box with 4mm Push Type Terminals

10 ft (3 meter) Power Cable for Mounting Options

Coatings

Gray (RAL 7040)