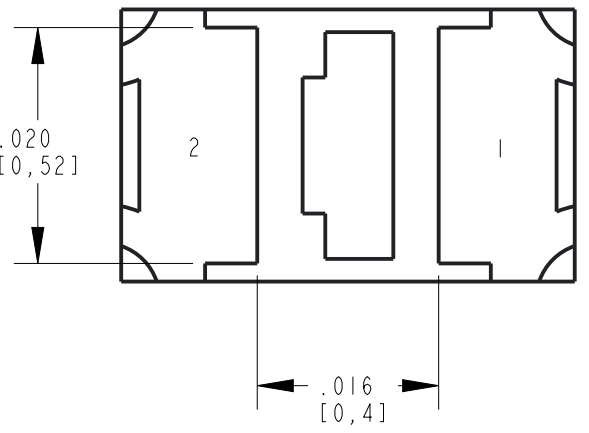
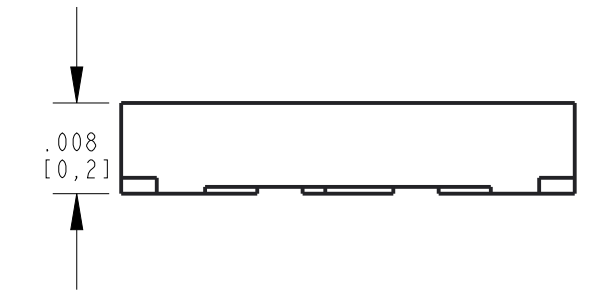
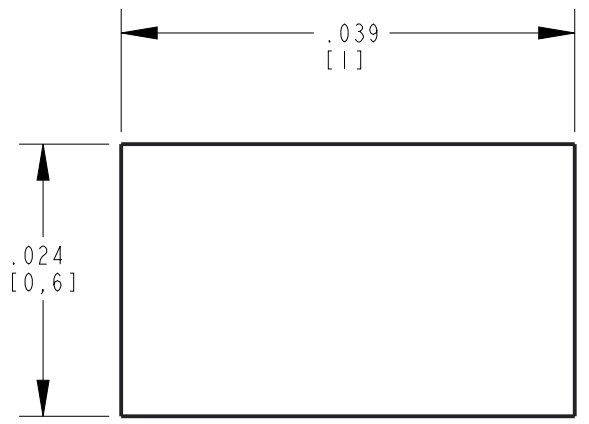
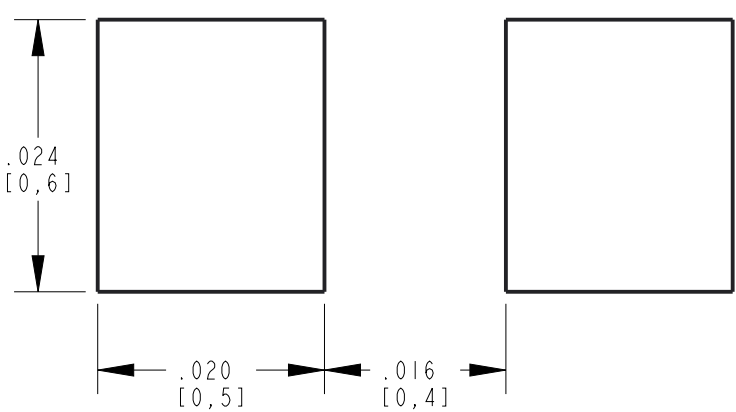


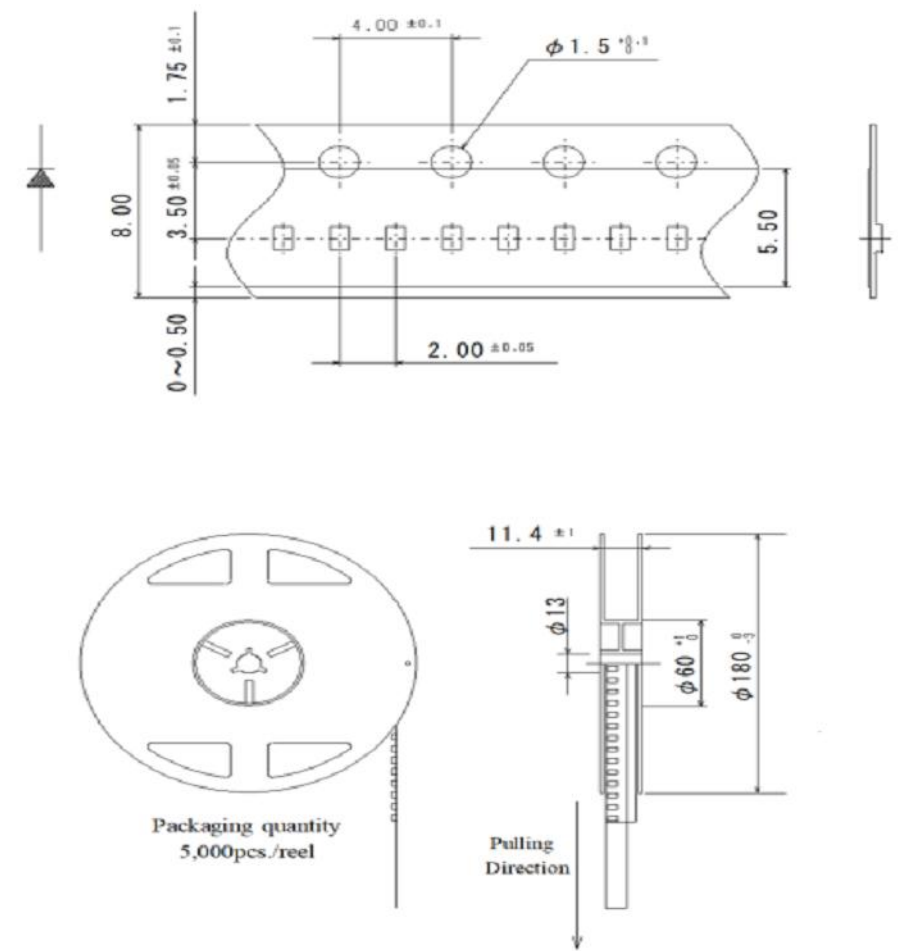
REV	ECN NO	REVISIONS	DRN	CKD	APP	QA	CM	DATE
A	117159	NEW RELEASE	LD	CS				4-18-24



RECOMMENDED PAD LAYOUT



TAPE AND REEL CONFIGURATION



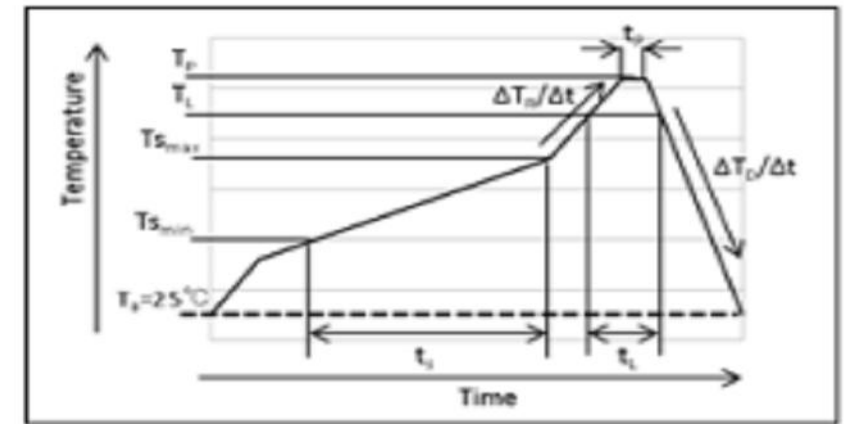
Packaging quantity
5,000pcs./reel

Pulling Direction

NOTES:

- DIALIGHT NO: 597-3327-507F
- TAPE & REEL MAY REQUIRE RE-TAPING AFTER 12 MONTHS.
- PIN NUMBERS ARE FOR REFERENCE ONLY. DESIGNATION NON-EXISTENT ON PART OR REEL TAPE.
- MOISTURE SENSITIVITY LEVEL: 3
- PACKAGING TO INCLUDE LABEL CONTAINING DIALIGHT PART NUMBER, DATE CODE/LOT NO., LUMINOUS INTENSITY AND COLOR BINS, QTY/REEL, AND COUNTRY OF ORIGIN.
- THIS ASSEMBLY CONTAINS ELECTROSTATIC DISCHARGE SENSITIVE DEVICES (ESDS). MAINTAIN ALL PRECAUTIONARY MEASURES DURING ASSEMBLY, HANDLING, AND STORAGE IN ACCORDANCE WITH IPC-A-610.

REFLOW PROFILE



• Meaning of marks, Conditions

Mark	Meanings	Conditions
T _{s_max}	Maximum of pre-heating temperature	180°C
T _{s_min}	Minimum of pre-heating temperature	140°C
T _s	Time from T _{s_min} to T _{s_max}	Over 60 sec.
T _L	Reference temperature	230~260°C
t _L	Retention time for T _L	Within 40 sec.
T _p	Peak temperature	260°C(MAX.)
t _p	Time for peak temperature	Within 10 sec.
ΔT _R /Δt	Temperature rising rate	Under 3°C/sec.
ΔT _D /Δt	Temperature decreasing rate	Within -3°C/sec.



LED SCHEMATIC

OPERATING CHARACTERISTICS AT 25°C AMBIENT											
LED COLOR	PEAK WAVELENGTH (nm)	LUMINOUS INTENSITY (mcd) @ I _f =5mA			DOMINANT WAVELENGTH (nm) @ I _f =5mA			FORWARD VOLTAGE (V) @ I _f =5mA			VIEWING ANGLE (DEGREES)
		TYP	MIN	MAX	MIN	TYP	MAX	MIN	TYP	MAX	
GREEN	—	56	110	220	520	527	535	1.7	3.0	3.4	100

ABSOLUTE MAXIMUM RATINGS AT 25°C AMBIENT		
	GREEN	UNITS
POWER DISSIPATION	34	mW
CONTINUOUS FORWARD CURRENT	10	mA
REVERSE CURRENT @ V _R = 5V	100	μA
PEAK FORWARD CURRENT (1/10 DUTY CYCLE, 10ms PULSE WIDTH)	50	mA
REVERSE VOLTAGE	5	V
OPERATING TEMPERATURE	-40 TO +85	°C
STORAGE TEMPERATURE	-40 TO +100	°C

THIS DRAWING AND THE CONTENTS HEREIN ARE CONFIDENTIAL AND THE SOLE PROPERTY OF DIALIGHT CORP. REPRODUCTION OF THIS DRAWING OR CONSTRUCTION OF ANY PARTS WITHIN THIS DRAWING ARE FORBIDDEN WITHOUT THE WRITTEN CONSENT OF DIALIGHT CORP.

DIALIGHT CORP INTERNAL REFERENCE ONLY = 3D MODEL : 4500521831615-A.6

SCALE: 60.000	DRAWING NUMBER	REV
ALL DIM'S: INCH (mm)	C-18749	A
TOLERANCES: UNLESS OTHERWISE SPECIFIED	TITLE	
FRACTIONS: ±1/64	SM 0402 GREEN 527nm	
DECIMALS (.XX): ±.01	MATERIAL	
DECIMALS (.XXX): ±.005		
DECIMALS (.XXXX): ±.0005		
ANGLES: ±1°		
FINISH		
FSCM 83330	Dialight	1501 ROUTE 34 SOUTH FARMINGDALE, NJ 07727 (732) 919-3119 www.dialight.com
	SHEET 1 OF 1	FAMILY TABLE: