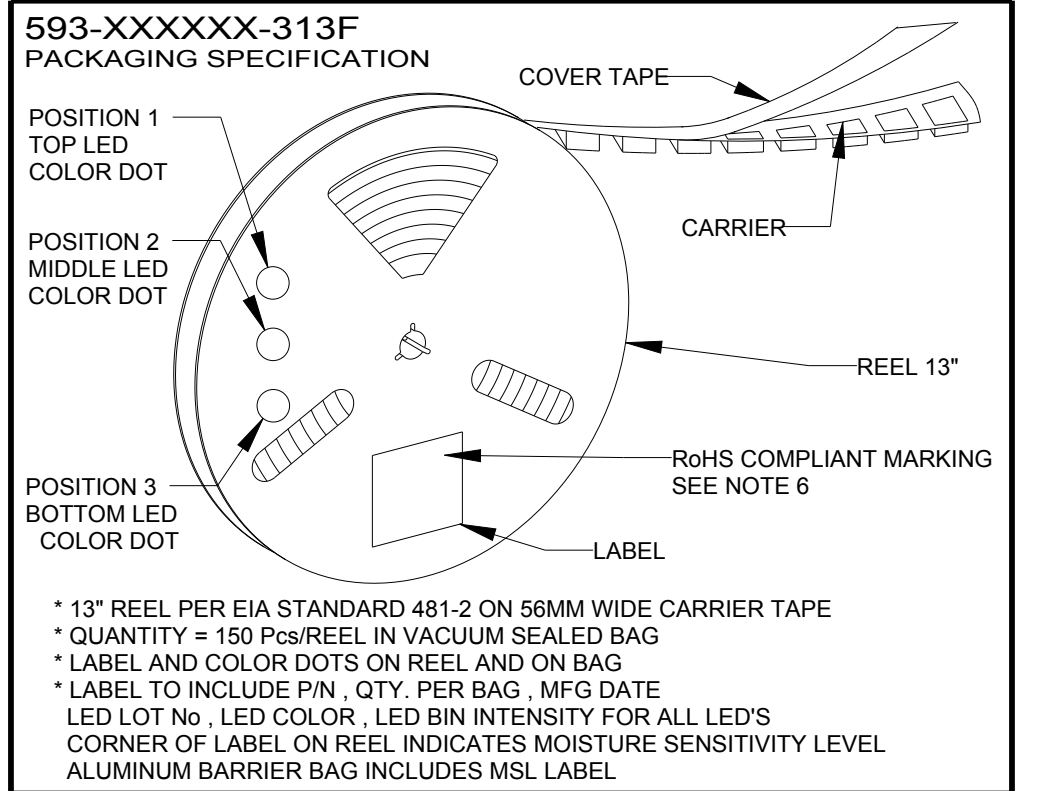
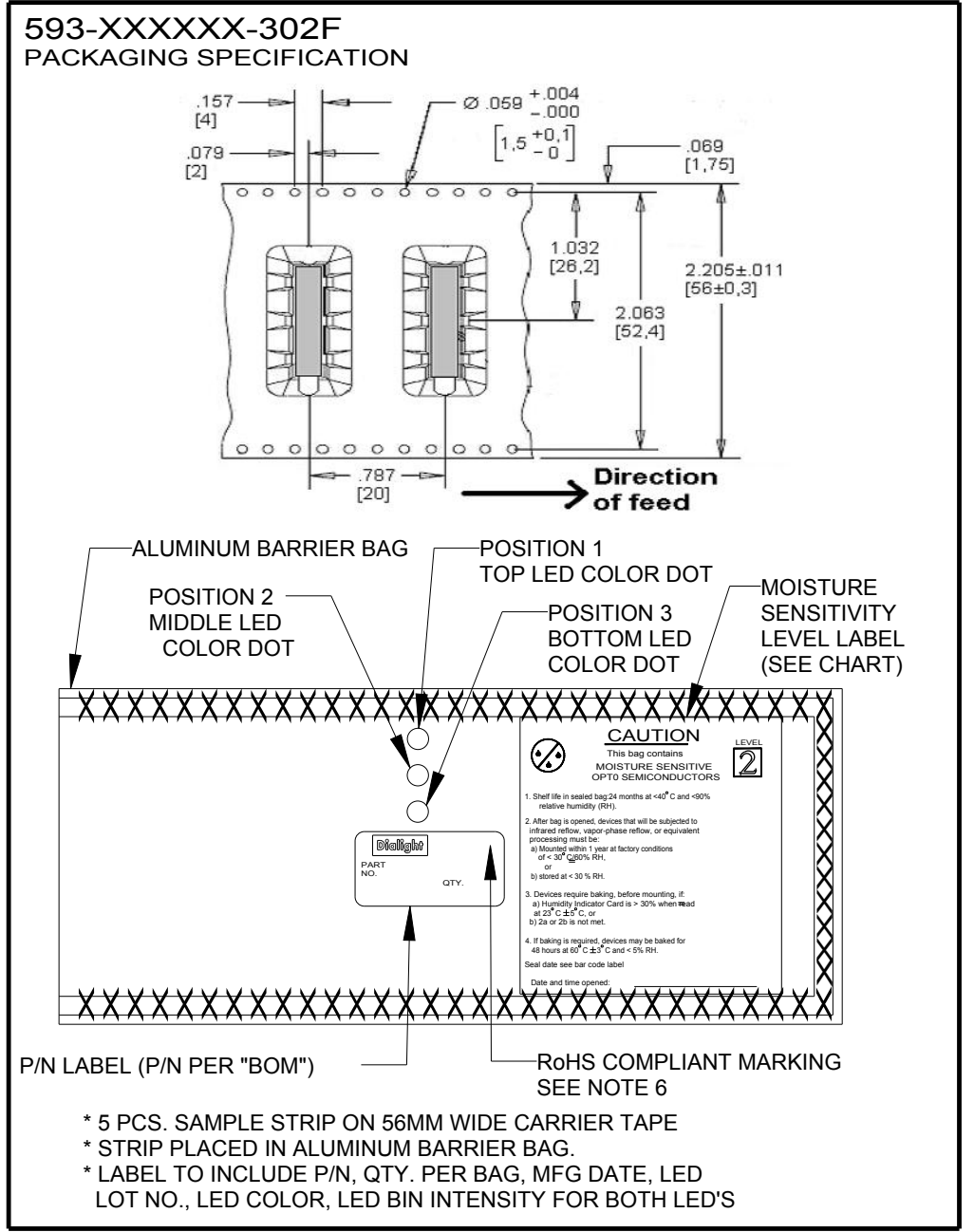
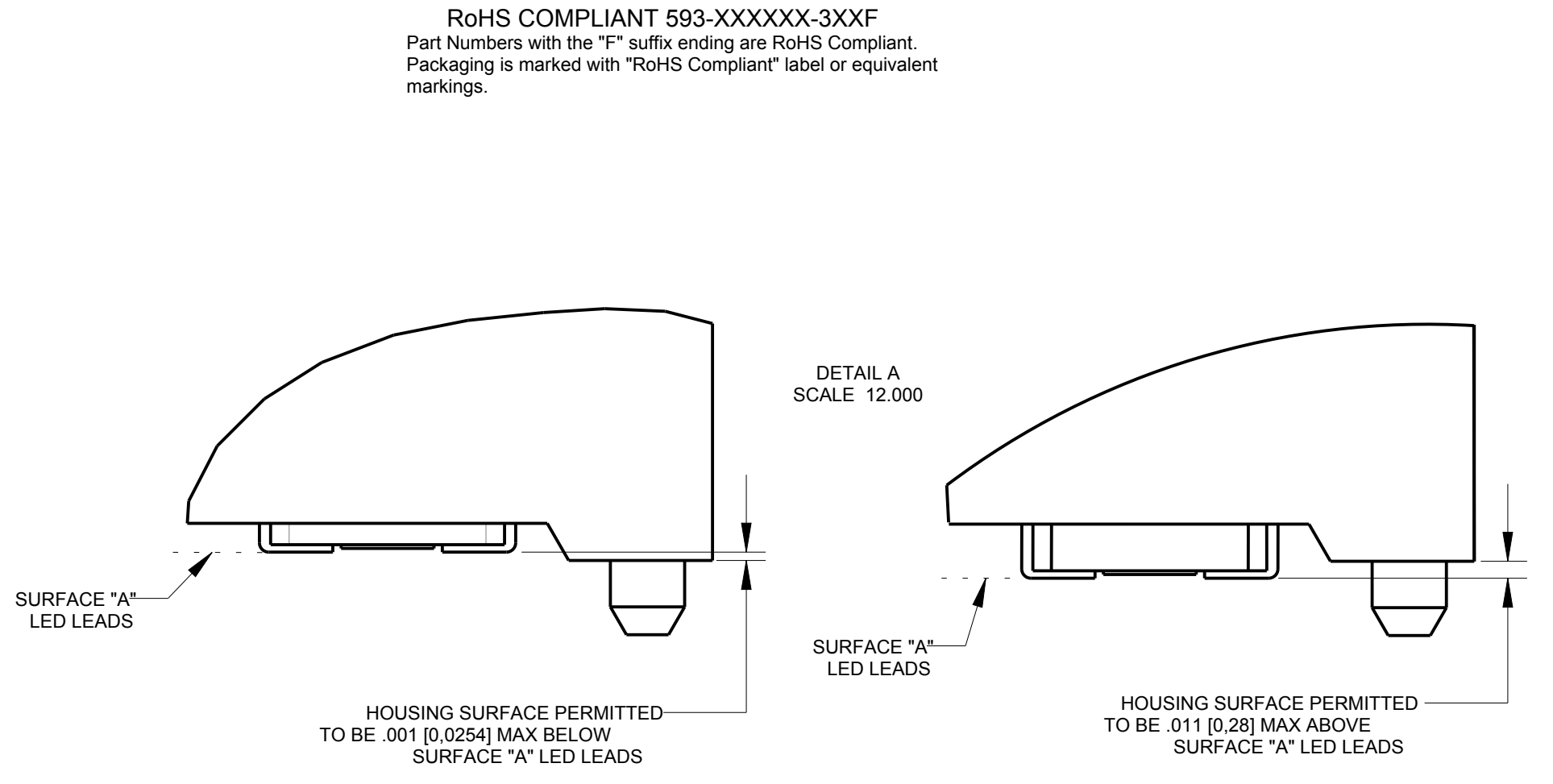


PART NUMBER	POSITION 1	POSITION 2	POSITION 3	MSL	PAD LAYOUT REFERENCE
593-101010-302F	RED 2mA	RED 2mA	RED 2mA	2	FIG. 1
593-101010-313F	GREEN 2mA	GREEN 2mA	GREEN 2mA	2	FIG. 1
593-131313-302F					
593-131313-313F					
593-141414-302F	YELLOW 2mA	YELLOW 2mA	YELLOW 2mA	2	FIG. 1
593-141414-313F					
593-151515-302F	ORANGE 2mA	ORANGE 2mA	ORANGE 2mA	2	FIG. 1
593-151515-313F					
593-202020-302F	RED	RED	RED	2	FIG. 1
593-202020-313F					
593-202024-302F	RED	RED	YELLOW	2	FIG. 1
593-202024-313F					
593-202324-302F	RED	GREEN	YELLOW	2	FIG. 1
593-202324-313F					
593-202326-302F	RED	GREEN	BLUE	2	FIG. 1
593-202326-313F					
593-203120-302F	RED	YELLOW	RED	2	FIG. 1 & FIG. 2
593-203120-313F					
593-212121-302F	AlGaAs RED	AlGaAs RED	AlGaAs RED	2	FIG. 1
593-212121-313F					
593-212130-302F	AlGaAs RED	AlGaAs RED	SUPER RED GREEN	2	FIG. 1 & FIG. 2
593-212130-313F					
593-212222-302F	AlGaAs RED	GREEN	GREEN	2	FIG. 1
593-212222-313F					
593-212228-302F	AlGaAs RED	GREEN	BLUE	2	FIG. 1
593-212228-313F					
593-212729-302F	AlGaAs RED	AlInGaP YELLOW	InGaP GREEN	2a	FIG. 1
593-212729-313F					
593-222223-302F	GREEN	GREEN	GREEN	2	FIG. 1
593-222223-313F					
593-222221-302F	GREEN	GREEN	AlGaAs RED	2	FIG. 1
593-222221-313F					
593-222721-302F	GREEN	AlInGaP YELLOW	AlGaAs RED	2	FIG. 1
593-222721-313F					
593-232323-302F	GREEN	GREEN	GREEN	2	FIG. 1
593-232323-313F					
593-232420-302F	GREEN	YELLOW	RED	2	FIG. 1
593-232420-313F					
593-232424-302F	GREEN	YELLOW	YELLOW	2	FIG. 1
593-232424-313F					
593-232627-302F	GREEN	BLUE	AlInGaP YELLOW	2	FIG. 1
593-232627-313F					
593-242320-302F	YELLOW	YELLOW	RED	2	FIG. 1
593-242320-313F					
593-242424-302F	YELLOW	YELLOW	YELLOW	2	FIG. 1
593-242424-313F					
593-262626-302F	BLUE	BLUE	BLUE	2	FIG. 1
593-262626-313F					
593-272020-302F	AlInGaP YELLOW	RED	RED	2	FIG. 1
593-272020-313F					
593-272129-302F	AlInGaP YELLOW	AlGaAs RED	InGaP GREEN	2	FIG. 1
593-272129-313F					
593-272323-302F	AlInGaP YELLOW	GREEN	GREEN	2	FIG. 1
593-272323-313F					
593-272727-302F	AlInGaP YELLOW	AlInGaP YELLOW	AlInGaP YELLOW	2	FIG. 1
593-272727-313F					
593-282828-302F	WHITE	WHITE	WHITE	2	FIG. 1
593-282828-313F					
593-292927-302F	InGaP GREEN	BLUE	AlInGaP YELLOW	2a	FIG. 1
593-292927-313F					
593-292721-302F	InGaP GREEN	AlInGaP YELLOW	AlGaAs RED	2a	FIG. 1
593-292721-313F					
593-292727-302F	InGaP GREEN	AlInGaP YELLOW	AlInGaP YELLOW	2a	FIG. 1
593-292727-313F					
593-292929-302F	InGaP GREEN	InGaP GREEN	InGaP GREEN	2a	FIG. 1
593-292929-313F					
593-303030-302F	SUPER RED	SUPER RED	SUPER RED	2	FIG. 2
593-303030-313F					
593-303126-302F	SUPER RED	YELLOW	BLUE	2	FIG. 1 & FIG. 2
593-303126-313F					
593-312020-302F	YELLOW	RED	RED	2	FIG. 1 & FIG. 2
593-312020-313F					
593-313131-302F	YELLOW	YELLOW	YELLOW	2	FIG. 2
593-313131-313F					
593-323232-302F	SUPER-RED	SUPER-RED	SUPER-RED	2	FIG. 2
593-323232-313F					
593-353535-302F	RED	RED	RED	2a	FIG. 2
593-353535-313F	GREEN	GREEN	GREEN	2a	FIG. 2
593-353535-313F	BLUE	BLUE	BLUE	2a	FIG. 2



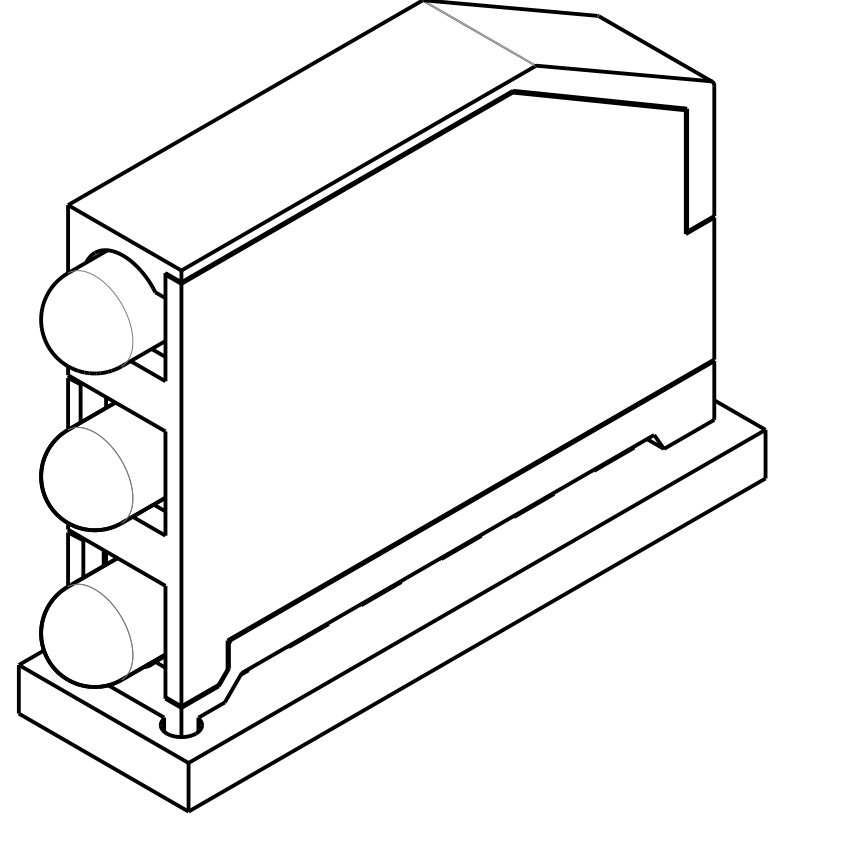
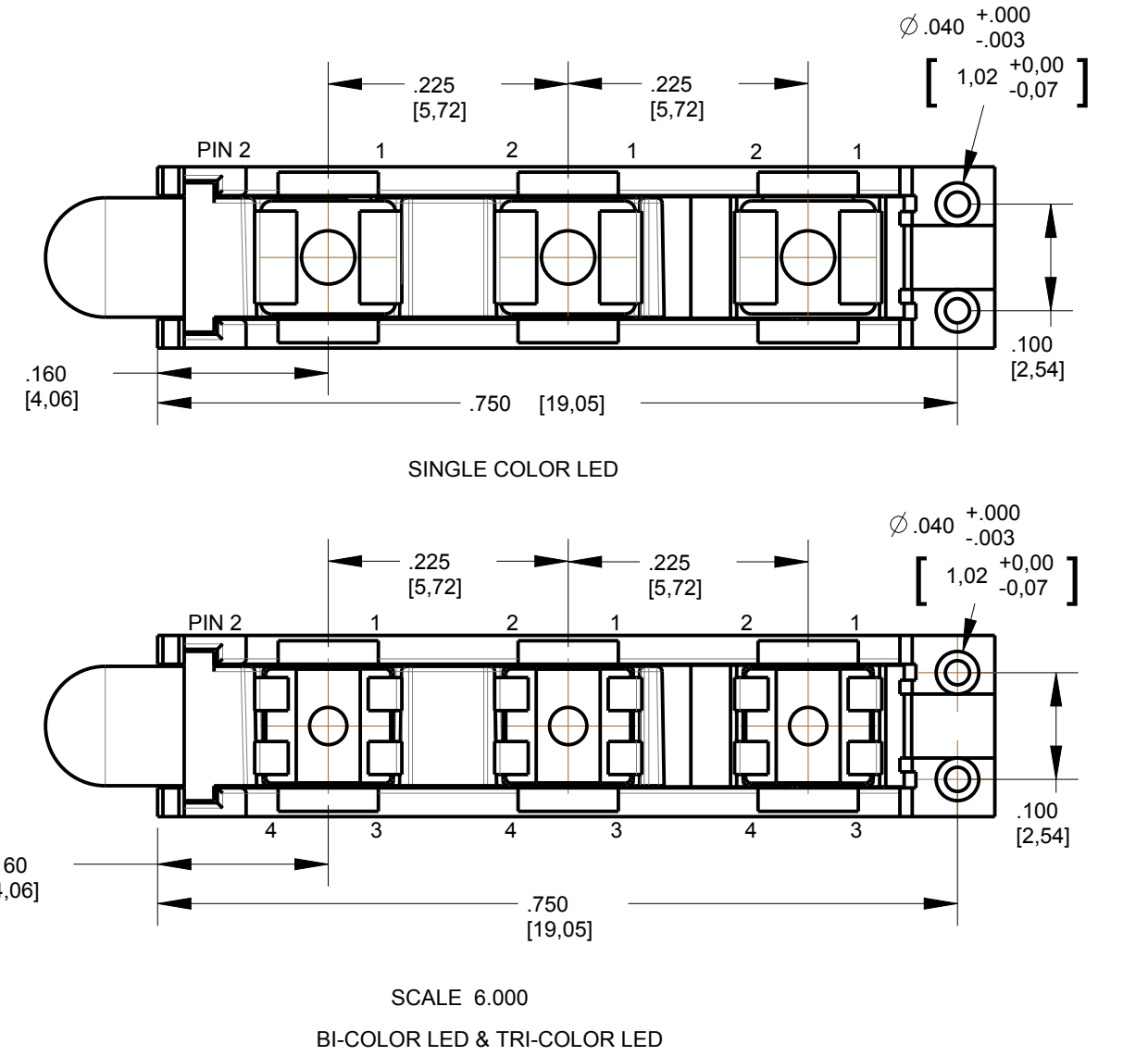
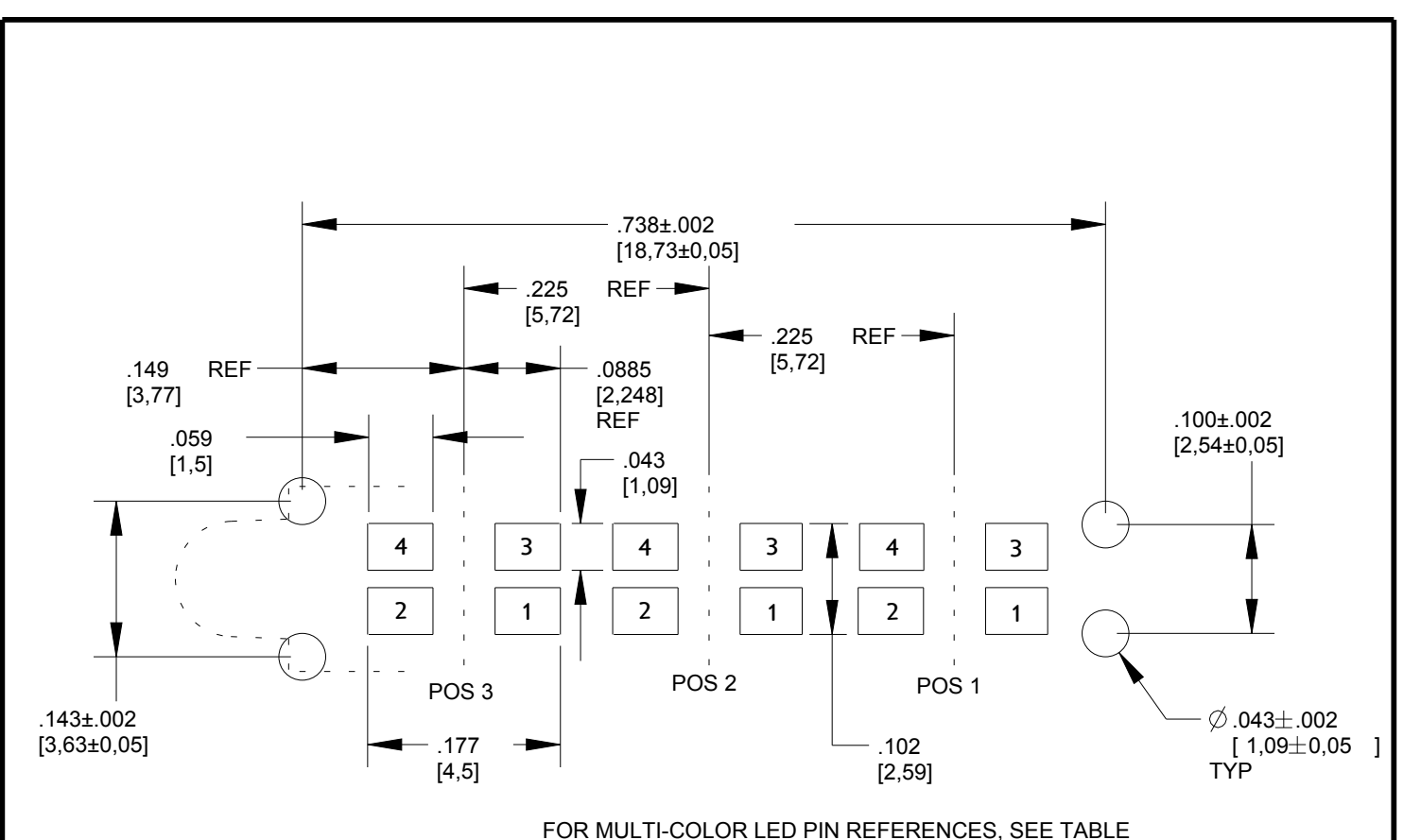
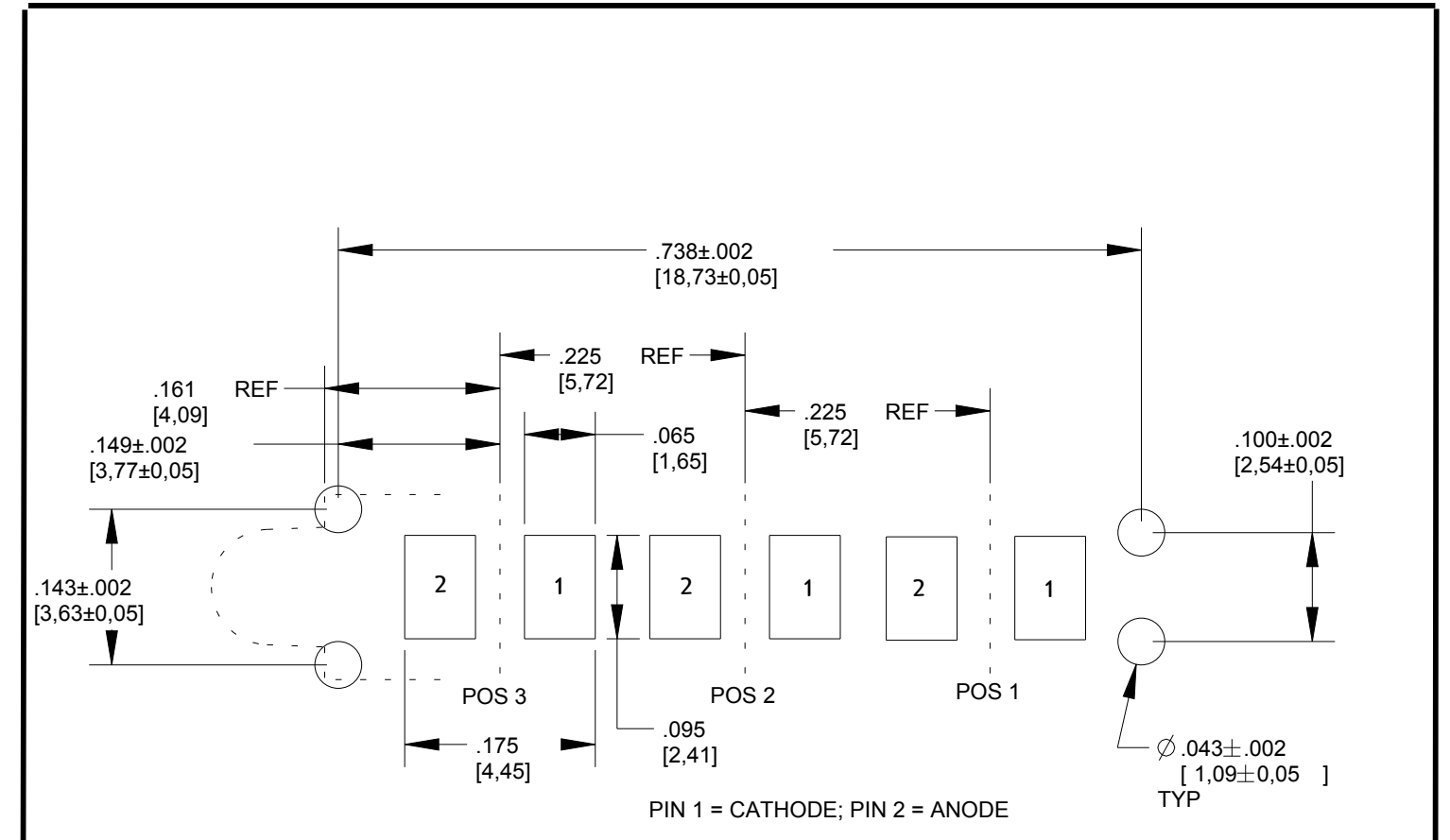
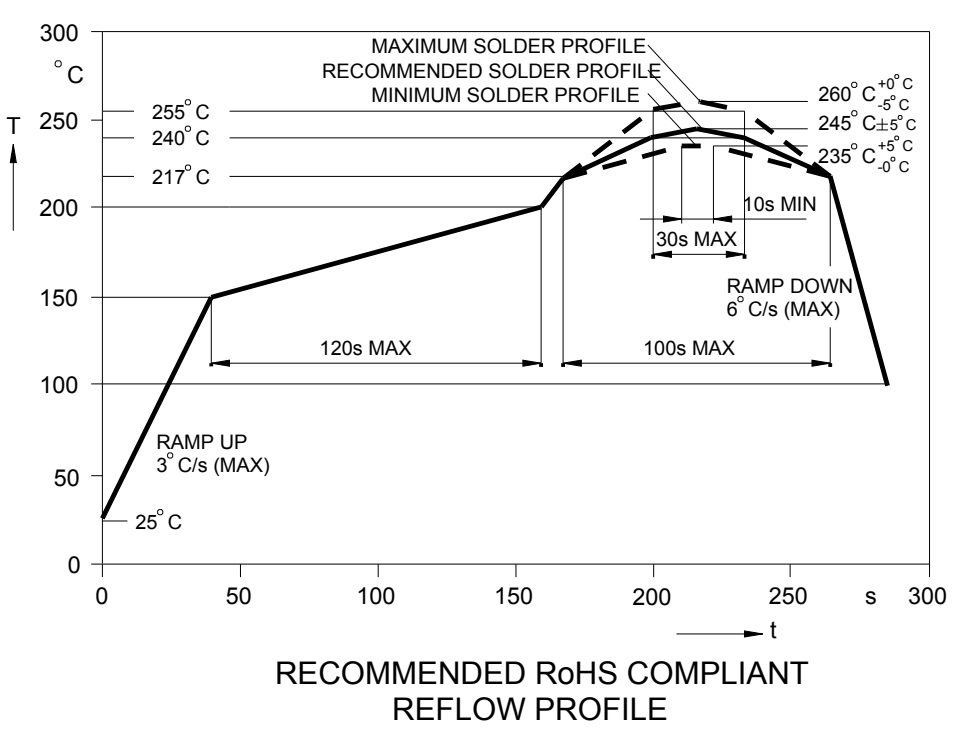
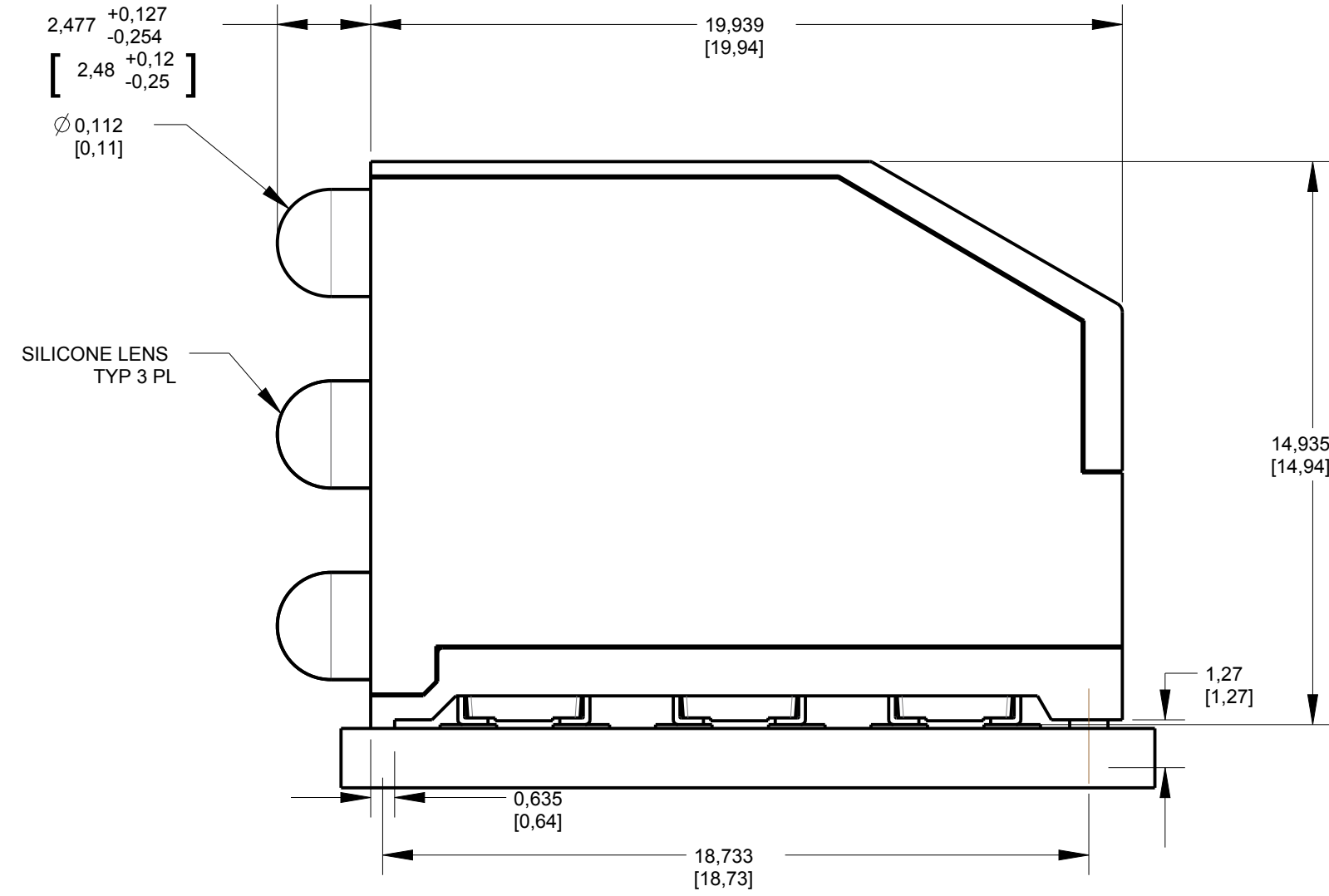
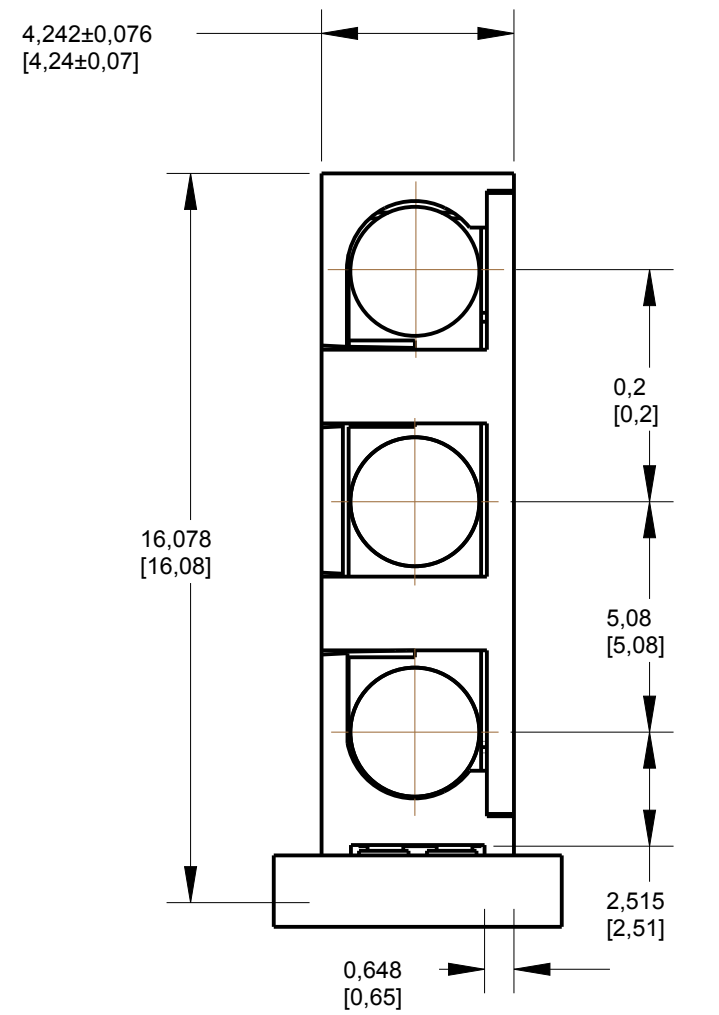
MULTI-COLOR LED PIN REFERENCES				
LED COLOR	PIN 1	PIN 2	PIN 3	PIN 4
R/Y BI-COLOR	RED CATHODE	RED ANODE	YELLOW ANODE	YELLOW CATHODE
Y/G BI-COLOR	YELLOW CATHODE	YELLOW ANODE	GREEN ANODE	GREEN CATHODE
R/G BI-COLOR	RED CATHODE	RED ANODE	GREEN ANODE	GREEN CATHODE
R/G/B TRI-COLOR	RED CATHODE	COMMON ANODE	GREEN ANODE	BLUE CATHODE



REV	ECN NO	REVISIONS	DRN	CKD	APP	DATE
A		NEW RELEASE	BP		NO	11-6-17
B		ADDED PIN: 593-27-2020-313F & 593-27-2020-302F ON THE CHART	LD		SK	6-6-18
C		REVISED COLOR OF PART NUMBERS TO FOLLOW THE CHART	LD		SK	6-21-18
D		ADDED A NOTE ON THE DWG TO INDICATE SILICONE LENS	LD		NO	7-20-18
E		REMOVED PIN: 593-272129-801F, 593-272129-802F, 593-272727-803F, 593-272727-804F	LD		NO	7-23-18

NOTES:
1. PRODUCT PINS WITH "F" SUFFIX ENDING ARE RoHS COMPLIANT. LED LEADS ARE PLATED TIN (Sn) WITH NICKEL (Ni) UNDERPLATE ON COPPER (Cu) LEADS.
2. STORAGE OF TAPED PARTS SHALL NOT EXCEED TWELVE (12) MONTHS AFTER WHICH RE-PACKAGING IS REQUIRED.
3. FRONT AND REAR TERMINALS (OF EACH LED) OF THE ASSEMBLY TO BE WITHIN .005 COPLANARITY.
4. A MOISTURE SENSITIVITY LEVEL LABEL PLACED ON BAG. CHECK CHART FOR PROPER LEVEL.
5. *** CAUTION ***
FOR PRODUCTS THAT ARE ESD SENSITIVE, OBSERVE PRECAUTIONS IN HANDLING ELECTROSTATIC SENSITIVE DEVICES. FOR EYE SAFETY DO NOT STARE DIRECTLY INTO THE LIGHT BEAM OF THESE LED DEVICES AT CLOSE RANGE.
6. THIS PRODUCT IS RoHS COMPLIANT. EACH BAG IS MARKED WITH RoHS COMPLIANT LABEL OR EQUIVALENT MARKINGS. LED MUST BE Pb FREE (RoHS COMPLIANT).
7. DIALIGHT PART NUMBERS: 593-XXXXXX-302F (STRIP) 593-XXXXXX-313F (REEL)

OPERATING CHARACTERISTICS AT 25 °C AMBIENT							
COLOR CODE	COLOR	LUMINOUS INTENSITY TYP	FORWARD VOLTAGE (V)			DOMINANT WAVELENGTH (nm)	
			TEST COND	TYP	MAX	MIN	TYP
10	RED 2mA	5 mcd @IF=2mA	IF = 2mA	1.7	2.2	624	630
13	GREEN 2mA	4 mcd @IF=2mA	IF = 2mA	1.7	2.2	566	570
14	YELLOW 2mA	4.3 mcd @IF=2mA	IF = 2mA	1.7	2.2	580	587
15	ORANGE 2mA	7 mcd @IF=2mA	IF = 2mA	1.7	2.2	600	606
20	RED	6 mcd @IF=20mA	IF = 10mA	2.0	2.5	622	628
21	AlGaAs RED	19 mcd @IF=20mA	IF = 10mA	1.75	2.5	—	645
22	HI. INT. GREEN	10 mcd @IF=20mA	IF = 10mA	2.0	2.5	564	570
23	GREEN	9 mcd @IF=20mA	IF = 10mA	2.0	2.5	564	570
24	YELLOW	8 mcd @IF=20mA	IF = 10mA	2.0	2.5	580	587
26	BLUE	10 mcd @IF=20mA	IF = 10mA	3.1	3.7	465	471
27	AlInGaP YELLOW	36 mcd @IF=20mA	IF = 10mA	2.0	2.4	580	587
28	WHITE	62 mcd @IF=20mA	IF = 10mA	3.1	3.4	—	X.33 Y.33
29	InGaP GREEN	213 mcd @IF=20mA	IF = 20mA	3.7	4.3	—	525
30	RED/GREEN BI-COLOR	RED 11 mcd @IF=10mA GREEN 6 mcd @IF=10mA	IF = 10mA	2.0	2.5	622	628 564
31	YELLOW/GREEN BI-COLOR	YELLOW 13 mcd @IF=10mA GREEN 6 mcd @IF=10mA	IF = 10mA	2.0	2.5	584	590 570
32	RED/YELLOW BI-COLOR	RED 34 mcd @IF=20mA YELLOW 26 mcd @IF=20mA	IF = 20mA	2.0	2.3	627	633 587
35	RED/GRN/BLUE TRI-COLOR	RED 45 mcd @IF=20mA GREEN 114 mcd @IF=20mA BLUE 25 mcd @IF=20mA	IF = 20mA	1.9	2.4	—	626 515 460



ATTENTION: OBSERVE PRECAUTIONS FOR HANDLING ELECTROSTATIC SENSITIVE DEVICES

THIS DRAWING AND THE CONTENTS HEREIN ARE CONFIDENTIAL AND THE SOLE PROPERTY OF DIALIGHT. REPRODUCTION OF THIS DRAWING OR CONSTRUCTION OF ANY PARTS WITHIN THIS DRAWING ARE FORBIDDEN WITHOUT THE WRITTEN CONSENT OF DIALIGHT.	
SCALE: 6:000	DRAWING NUMBER: C-18320
ALL DIMS IN INCHES (MM)	REV: E
TOLERANCES: UNLESS OTHERWISE SPECIFIED	TITLE: TRI-LEVEL PRISM
FRACTIONS: 1/164	MATERIAL: RoHS COMPLIANT
DECIMALS (XX): ±.01	RoHS COMPLIANT
DECIMALS (XXX): ±.005	Dialight
DECIMALS (XXXX): ±.0005	1501 ROUTE 34 SOUTH FARMINGDALE, NJ 07727
ANGLES: ±3°	FINISH: *
FSCM 83330	SHEET 1 OF 1 FAMILY TABLE