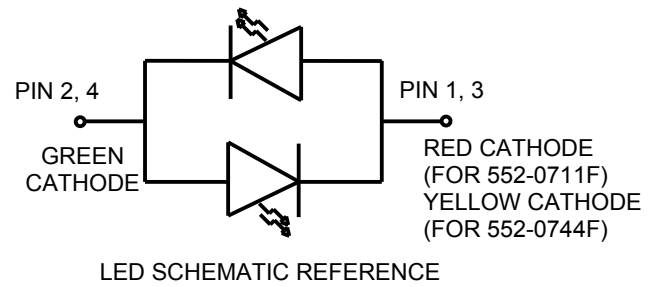
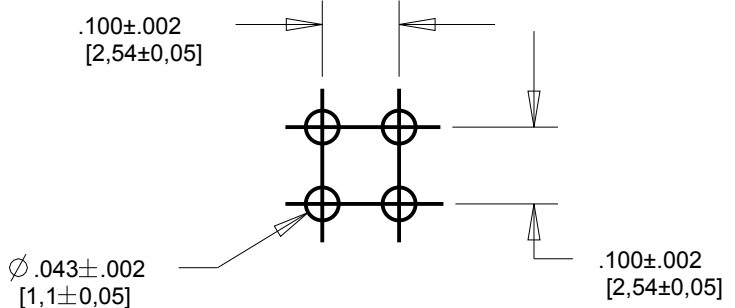
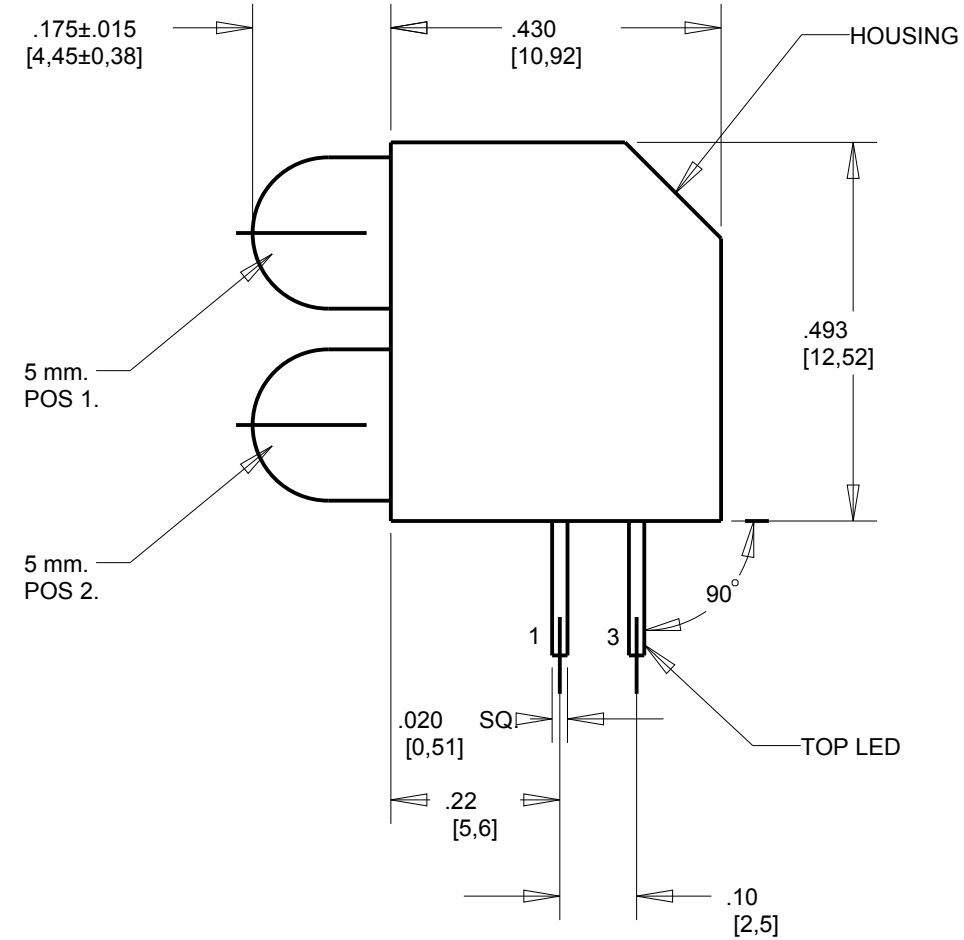
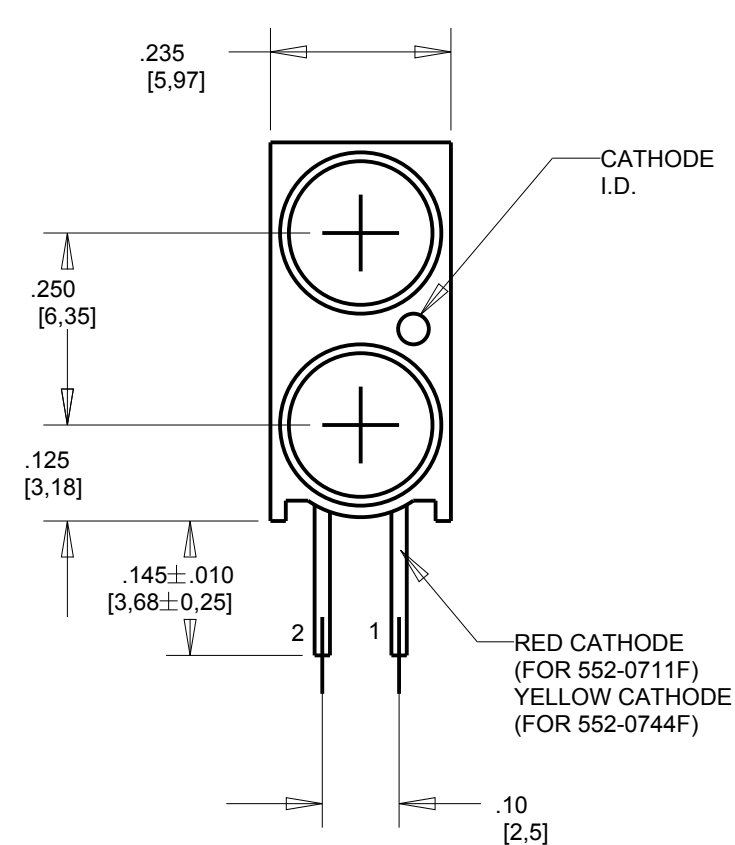


PART NUMBER	COLOR	
	POS. 1	POS. 2
552-0710F	RED/GREEN	**BLANK**
552-0711F	RED/GREEN	RED/GREEN
552-0742F	YELLOW/GREEN	GREEN
552-0744F	YELLOW/GREEN	YELLOW/GREEN

REV	ECN NO	REVISIONS	DRN	CKD	APP	DATE
A	—	NEW RELEASE	CE	MES	NO	7-26-07
B	—	CHANGED RED CATHODE LEAD TO CATHODE I.D. SIDE	CE	N.O.	MES	9-6-07
C	—	".145±.010" WAS ".145", ".100±.002" WAS ".100" (2X), ".043±.002" WAS ".043".	KLJ	—	NO	3-18-07
D	—	ADDED P/Ns 552-0710F & 552-0742F	LD	—	SK	8-13-18




552-0711F OPERATING CHARACTERISTICS AT 25°C AMBIENT					
LED CHARACTERISTICS	MIN.	TYP.	MAX.	UNITS	TEST CONDITIONS
LUMINOUS INTENSITY	29 12.6	90 ^F 40		mcd	I = 20 mA
FORWARD VOLTAGE		1.8 ^F 2.1	2.4 2.8	V	I = 20 mA
REVERSE CURRENT			100 ^R	µA	V = 5V
PEAK WAVELENGTH		660 565		nm	
VIEWING ANGLE		60		deg.	

552-0744F OPERATING CHARACTERISTICS AT 25°C AMBIENT					
LED CHARACTERISTICS	MIN.	TYP.	MAX.	UNITS	TEST CONDITIONS
LUMINOUS INTENSITY	2.5	8.7		mcd	I = 20 mA
FORWARD VOLTAGE		2.1 ^F	2.8	V	I = 20 mA
REVERSE CURRENT			100 ^R	µA	V = 5V
PEAK WAVELENGTH		565 ^R 585		deg.	
VIEWING ANGLE		50		nm	

ABSOLUTE MAXIMUM RATINGS AT 25°C AMBIENT	552-0711F		552-0744F		UNITS
	RED	GREEN	YELLOW	GREEN	
POWER DISSIPATION	100	100	60	100	mW
FORWARD CURRENT	40	30	20	30	mA
REVERSE VOLTAGE	4	5			V
OPERATING TEMPERATURE	-55 TO +100				°C
STORAGE TEMPERATURE	-55 TO +100				°C

RoHS Compliant 552-07XXF
 Part Numbers with the "F" suffix ending are RoHS Compliant.
 Example: 552-0744F
 Packaging is marked with "RoHS Compliant" label or equivalent markings.
 Parts can be wave soldered, dip soldered or hand soldered using typical lead-free soldering process with max 260°C temp. for 5 sec.

THIS DRAWING AND THE CONTENTS HEREIN ARE CONFIDENTIAL AND THE SOLE PROPERTY OF DIALIGHT CORP. REPRODUCTION OF THIS DRAWING OR CONSTRUCTION OF ANY PARTS WITHIN THIS DRAWING ARE FORBIDDEN WITHOUT THE WRITTEN CONSENT OF DIALIGHT CORP.		
SCALE: DRAWING SCALE ALL DIM's: INCH (mm)	DRAWING NUMBER C-17488	REV D
TOLERANCES: UNLESS OTHERWISE SPECIFIED FRACTIONS: ±1/64 DECIMALS (.XX): ±.01 DECIMALS (.XXX): ±.005 DECIMALS (.XXXX): ±.0005 ANGLES: ±1°	TITLE 5 mm BI-LEVEL CBI LED RoHS COMPLIANT	
FINISH	MATERIAL	
FSCM 83330	 1501 ROUTE 34 SOUTH FARMINGDALE, NJ 07727 (732) 919-3119 www.dialight.com	
SHEET 1 OF 1	FAMILY TABLE:	

- NOTES:
1. ALL DIMENSIONS ARE IN INCHES [MILLIMETERS].
 2. LED LEAD DIMENSIONS SHOWN AND MESURED AT HOUSING EXIT.
 3. FOR DIALIGHT INTERNAL DRAWING REFER TO 552-07XXF.
 4. THIS ASSEMBLY CONTAINS ELECTROSTATIC DISCHARGE SENSITIVE DEVICES (ESDS). MAINTAIN ALL PRECAUTIONARY MEASURES DURING ASSEMBLY, HANDLING AND STORAGE IN ACCORDANCE WITH 1PC-A-610.



ATTENTION:
 OBSERVE PRECAUTIONS FOR
 HANDLING ELECTROSTATIC
 SENSITIVE DEVICES