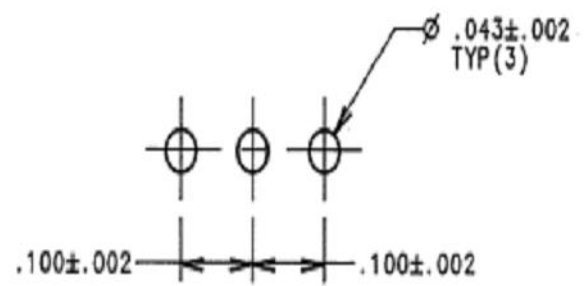
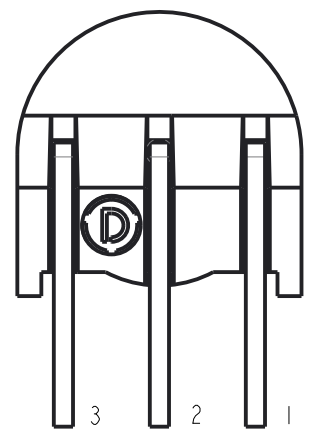
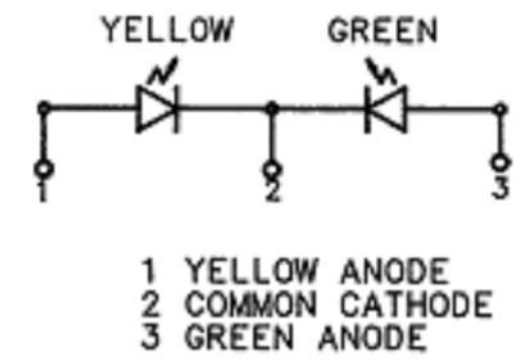
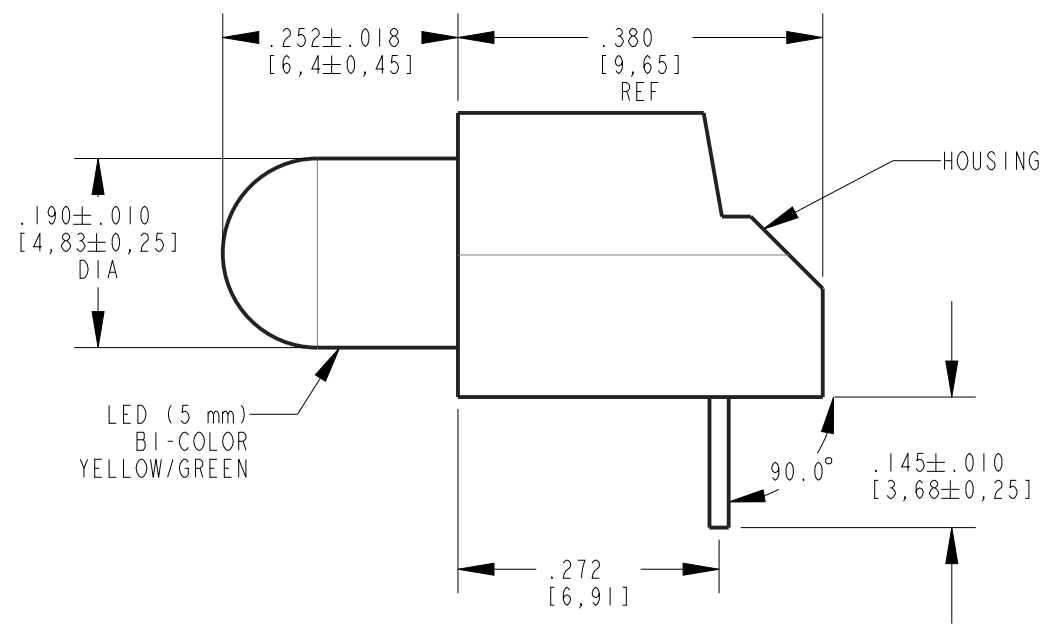
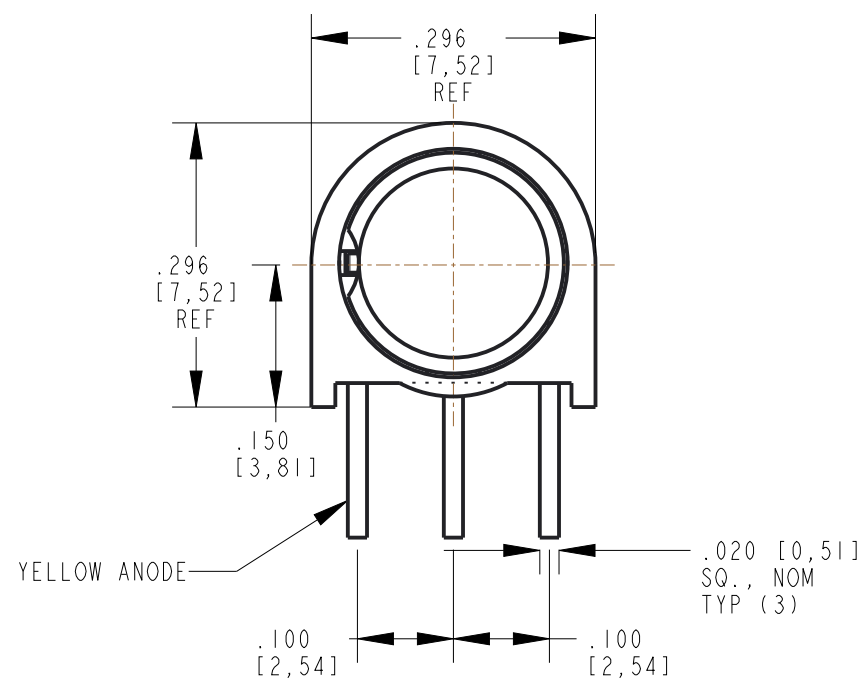


REV	ECN NO	REVISIONS	DRN	CKD	APP	DATE
A	106152	NEW RELEASE	LD	CS	NO	8-3-23



RECOMMENDED PC BOARD HOLE PATTERN

LED OPERATING CHARACTERISTICS AT 25°C AMBIENT											
LED COLOR	PEAK WAVELENGTH (nm)	DOMINANT WAVELENGTH (nm)			LUMINOUS INTENSITY (mcd) @ I _F =20mA			FORWARD VOLTAGE (V) @ I _F =20mA			VIEWING ANGLE (DEG)
		MIN	TYP	MAX	MIN	TYP	MAX	MIN	TYP	MAX	
YELLOW	591	586	590	593	240	400	680		2.1	2.4	30
GREEN	565	566	569	572	120	240	400		2.1	2.4	30

ABSOLUTE MAXIMUM RATINGS AT 25°C AMBIENT			
	YELLOW	GREEN	UNITS
POWER DISSIPATION	75	75	mW
PEAK FORWARD CURRENT (1/10 DUTY CYCLE, 10ms PULSE WIDTH)	60	60	mA
CONTINUOUS FORWARD CURRENT	30	30	mA
LINEAR DERATING FROM 30°C	0.4	0.4	mA/°C
LEAD SOLDERING TEMPERATURE (.079" [2mm] FROM BODY) FOR 5 SEC.	260		°C
OPERATING TEMPERATURE	-40 TO +100		°C
STORAGE TEMPERATURE	-55 TO +100		°C

NOTES:

- LED LEAD DIMENSIONS SHOWN ARE MEASURED AT HOUSING EXIT.
- LEADS TO FIT INTO HOLES SPACED AS PER PATTERN.
- PIN NUMBERS FOR REFERENCE ONLY, DESIGNATION NON-EXISTENT ON PART.
- DIALIGHT PART NUMBERS: 550-3609F.
- THIS ASSEMBLY CONTAINS ELECTROSTATIC DISCHARGE SENSITIVE DEVICES (ESDS). MAINTAIN ALL PRECAUTIONARY MEASURES DURING ASSEMBLY, HANDLING, AND STORAGE IN ACCORDANCE WITH IPC-A-610.

THIS DRAWING AND THE CONTENTS HEREIN ARE CONFIDENTIAL AND THE SOLE PROPERTY OF DIALIGHT. REPRODUCTION OF THIS DRAWING OR CONSTRUCTION OF ANY PARTS WITHIN THIS DRAWING ARE FORBIDDEN WITHOUT THE WRITTEN CONSENT OF DIALIGHT.

SCALE: 2.000 ALL DIM'S IN: INCHES (MM)	DRAWING NUMBER C-18690	REV A
TOLERANCES: UNLESS OTHERWISE SPECIFIED	TITLE 5MM YEL-GRN CBI	
FRACTIONS: ±1/64 DECIMALS (.XX): ±.01 DECIMALS (.XXX): ±.005 DECIMALS (.XXXX): ±.0005 ANGLES: ±1°	MATERIAL	
FINISH:	Dialight 1501 ROUTE 34 SOUTH FARMINGDALE, NJ 07727	
FSCM 83330	SHEET 1 OF 1 FAMILY TABLE:	