

Dialight

556 Series

High Intensity LED
Panel Mount Indicators
for 1" Mounting Hole
Watertight



FEATURES / BENEFITS

- ▲ InGaN and AlInGaP technology
- ▲ Long life, lasting up to 100,000 hours
- ▲ Wide viewing angle feature of domed lens
- ▲ Low profile flat lens
- ▲ Multi LED construction
- ▲ Uniform illumination
- ▲ Daylight viewable
- ▲ High durability
- ▲ Tamperproof

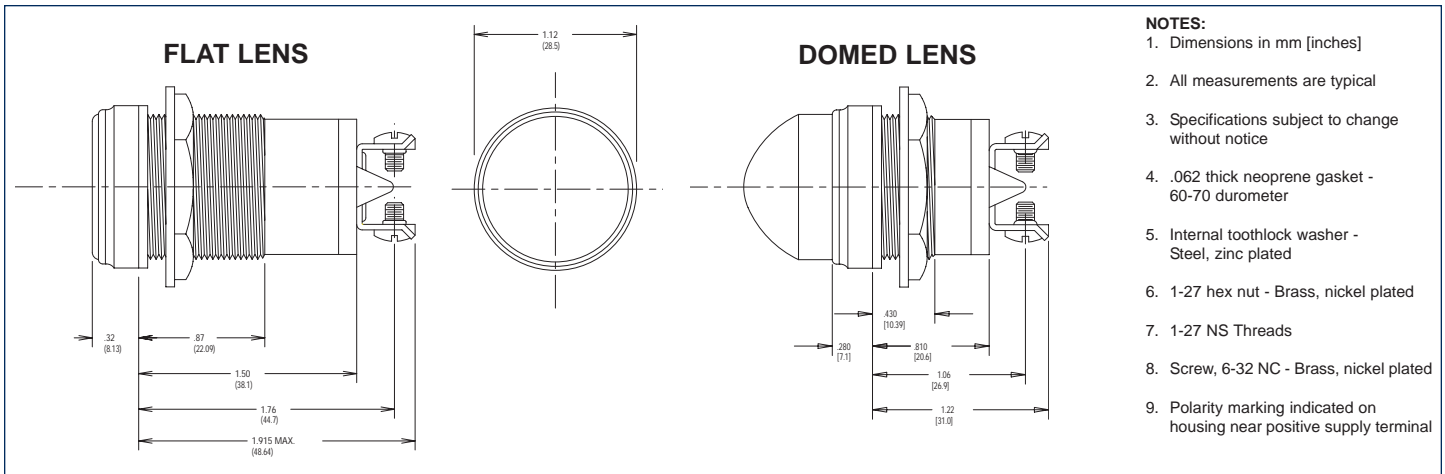
APPLICATIONS

The 556 Series LED Panel Mount Indicators are new and improved utilizing InGaN and AlInGaP technologies to offer higher intensities. This is a highly durable package, designed to withstand outdoor applications susceptible to rain, dust and sunlight.

- Instrument panels
 - Safety applications
 - Vending, gaming
 - Lane control
 - Display lighting
 - Transportation - rail, bus, airline
- ... and many more!

SPECIFICATIONS

- ▲ Available in red, yellow, green, blue, white and orange
- ▲ Housing material: Nickel plated brass
- ▲ Voltage range of 12 to 125 VDC, 125 and 230 VAC
- ▲ Lens material: Polycarbonate 94 - VO
- ▲ Watertight seal from front of panel meets NEMA 4X IP66
- ▲ Front mounting in 1" clearance hole
- ▲ Storage temperature: -40°C to +100°C
- ▲ Operating temperature: -30°C to +85°C
- ▲ UL recognized



Please see back of page for part numbers and additional specifications.



Dialight Corporation

1501 Route 34 South • Farmingdale, NJ 07727 USA

Tel: (1) 732.919.3119 • Fax: (1) 732.751.5778 • www.dialight.com



MDEL556X001_A

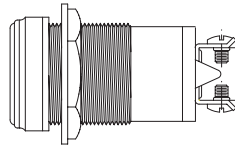


556 Series

High Intensity LED Panel Mount Indicators for 1" Mounting Hole

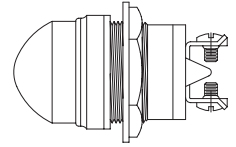
Watertight

FLAT LENS - 12 AND 24 VDC



PART NUMBER	COLOR	VOLTAGE	CURRENT (mA)	TYPICAL INTENSITY (fL)
556-1503-304	Red	12	95	3000
556-1603-304	Green	12	60	4000
556-1703-304	Yellow	12	95	3000
556-1803-304	Blue	12	60	1200
556-1903-304	Orange	12	95	1200
556-1003-304	White	12	60	4000
556-1504-304	Red	24	46	3000
556-1604-304	Green	24	32	4000
556-1704-304	Yellow	24	46	3000
556-1804-304	Blue	24	32	1200
556-1904-304	Orange	24	46	1200
556-1004-304	White	24	32	4000

DOME LENS



PART NUMBER	COLOR	VOLTAGE	CURRENT (mA)	TYPICAL INTENSITY (fL)
556-3503-304	Red	12	95	3000
556-3603-304	Green	12	60	4000
556-3703-304	Yellow	12	95	3000
556-3803-304	Blue	12	60	1200
556-3903-304	Orange	12	95	1200
556-3003-304	White	12	60	4000
556-3504-304	Red	24	46	3000
556-3604-304	Green	24	32	4000
556-3704-304	Yellow	24	46	3000
556-3804-304	Blue	24	32	1200
556-3904-304	Orange	24	46	1200
556-3004-304	White	24	32	4000

FLAT LENS - 125 AND 230 VAC

PART NUMBER	COLOR	VOLTAGE	CURRENT (mA)	TYPICAL INTENSITY (fL)
556-1505-304	Red	125 VAC	10.5	1200
556-1605-304	Green	125 VAC	9.5	1800
556-1705-304	Yellow	125 VAC	10.5	1200
556-1805-304	Blue	125 VAC	9.5	500
556-1905-304	Orange	125 VAC	10.5	500
556-1005-304	White	125 VAC	9	1800
556-1509-304	Red	230 VAC	7	1200
556-1609-304	Green	230 VAC	7	1800
556-1709-304	Yellow	230 VAC	7	1200
556-1809-304	Blue	230 VAC	7	500
556-1909-304	Orange	230 VAC	7	500
556-1009-304	White	230 VAC	7	1800

DOME LENS - 125 AND 230 VAC

PART NUMBER	COLOR	VOLTAGE	CURRENT (mA)	TYPICAL INTENSITY (fL)
556-3505-304	Red	125 VAC	10.5	500
556-3605-304	Green	125 VAC	9.5	700
556-3705-304	Yellow	125 VAC	10.5	500
556-3805-304	Blue	125 VAC	9.5	180
556-3905-304	Orange	125 VAC	10.5	180
556-3005-304	White	125 VAC	9	700
556-3509-304	Red	230 VAC	7	500
556-3609-304	Green	230 VAC	7	700
556-3709-304	Yellow	230 VAC	7	500
556-3809-304	Blue	230 VAC	7	180
556-3909-304	Orange	230 VAC	7	180
556-3009-304	White	230 VAC	7	700

Other voltages are available.
Please contact our factory for more information.



Dialight Corporation

1501 Route 34 South • Farmingdale, NJ 07727 USA

Tel: (1) 732.919.3119 • Fax: (1) 732.751.5778 • www.dialight.com

