

DEUTSCH High Power Contacts

Electrical Performance

Plating selection engineered to provide a copper diffusion barrier and corrosion resistance

Reduced Plating Wear

Contacts are stable at high temperatures which allows for lower contact force

Product Performance

Swiss screw machined contacts achieve tight dimension tolerances



DESCRIPTION

TE Connectivity now offers DEUTSCH MIL-DTL-5015 contacts that are designed to meet the demand for high power applications in a variety of different market segments.

APPLICATIONS

- Military Defense
- Aerospace
- Transportation

MECHANICAL

Each of the contact sizes are designed to provide adequate normal force over a range of temperatures providing low contact resistance while minimizing plating wear.

ELECTRICAL

Voltage drop conforms to SE AS 39029 standards

Voltage drop with nickel plated wire:

Contact Size	Test current (Amps)	Maximum Voltage Drop (milliohms)		
		25 °C	125 °C	200 °C
0	150	53	80	90
4	80	58	88	100
8	46	65	98	113

MATERIAL

Copper base metal is plated with nickel and silver. The nickel plating provides a diffusion barrier to guard against copper migration.

Silver plating is used to minimize contact resistance and provide corrosion protection.

STANDARDS & SPECIFICATIONS

Application specification: MIL-DTL-5015

Product specification: MIL-DTL-5015 as applicable to contacts

FOR MORE INFORMATION

Technical Support

Internet: www.te.com/ADM
 North America: +1 (800) 522 6752
 Asia Pacific: +86 0 400 820 6015
 Austria: +43 1 905 601 228
 Baltic Region: +46 8 5072 5000
 Benelux: +31 73 6246 999
 Czech Republic: +420 800 701 462
 France: +33 1 34 20 86 86
 Germany: +49 6251-133 1999
 Hungary: +36 809 874 04
 Italy: +39 011-401 2632
 Nordic: +46 8 5072 5000
 Poland: +48 800 702 309
 Russia: +7495 790 790 2
 Spain/Portugal: +34 93-2910366
 Switzerland: +41 52 633 66 26
 United Kingdom: +44 800 267 666

Follow us on Twitter for all the latest product news @TEConnectivity, and on Facebook, TEConnectivity.

Connect with one of our Subject Matter Experts at www.DesignSmarterFaster.com



Introducing DEUTSCH High Power Contacts

Approved for MIL-DTL-5015

www.te.com/ADM

© 2014 TE Connectivity Ltd. family of companies. All Rights Reserved.

1-1773732-2 ADM/RRD 2.5M 3/2014

DEUTSCH, Deutsch man image, TE Connectivity and the TE connectivity (logo) are trademarks of the TE Connectivity Ltd. family of companies.



Other products, logos, and company names mentioned herein may be trademarks of their respective owners.

While TE has made every reasonable effort to ensure the accuracy of the information herein, nothing herein constitutes any guarantee that such information is error-free, or any other representation, warranty or guarantee that the information is accurate, correct, reliable current. The TE entity issuing this publication reserves the right to make any adjustments to the information contained herein at any time without notice. All implied warranties regarding the information contained herein, including, but not limited to, any implied warranties of merchantability or fitness for a particular purpose are expressly disclaimed. The dimensions herein are for reference purposes only and are subject to change without notice. Specifications are subject to change without notice. Consult TE for the latest dimensions and design specifications.





APPLICATION TOOLING

Pneumatic Crimp Tool required for crimping

Military standard insertion/removal tools are recommended by TE for use to insert and remove contacts

Crimping and Insertion/Withdraw Tools:

TOOL PART NUMBER				
Contact Size	Crimping Tool	Die Assembly	Locator	Insertion/Withdraw
0	M22520/23-01	M22520/23-05	M22520/23-13	M81969/29-04
4	M22520/23-01	M22520/23-04	M22520/23-11	M81969/29-03
8	M22520/23-01	M22520/23-02	M22520/23-09	M81969/29-02

PART NUMBERS

Contact Size	Socket		Pin		Compatible Wire Gauge Range	
	TE P/N	Military P/N	TE P/N	Military P/N	AWG	Metric Size mm ²
0	0662-207-0082	AS39029/30-222	0660-206-0082	AS39029/29-216	2-0*	33.61-53.46
4	0662-207-0482	AS39029/30-221	0660-206-0482	AS39029/29-215	6-4*	13.29-21.14
8	0662-207-0882	AS39029/30-220	0660-206-0882	AS39029/29-214	10-8*	5.26-8.36

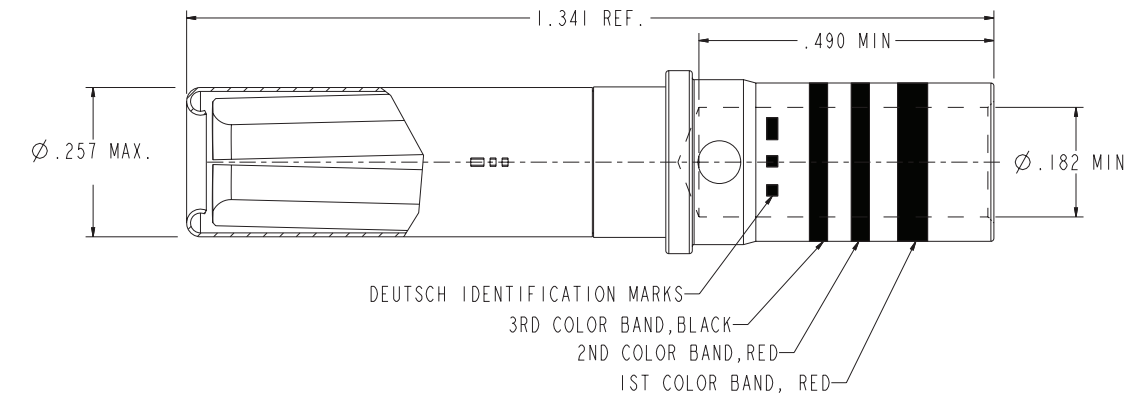
Note:
*Each contact can accommodate one wire size smaller if wire reducing bushings are used. See below table for part numbers.

Contact Size	Wire Reducing Bushing P/N
0	0621-206-0082
4	0621-206-0482
8	0621-206-0882

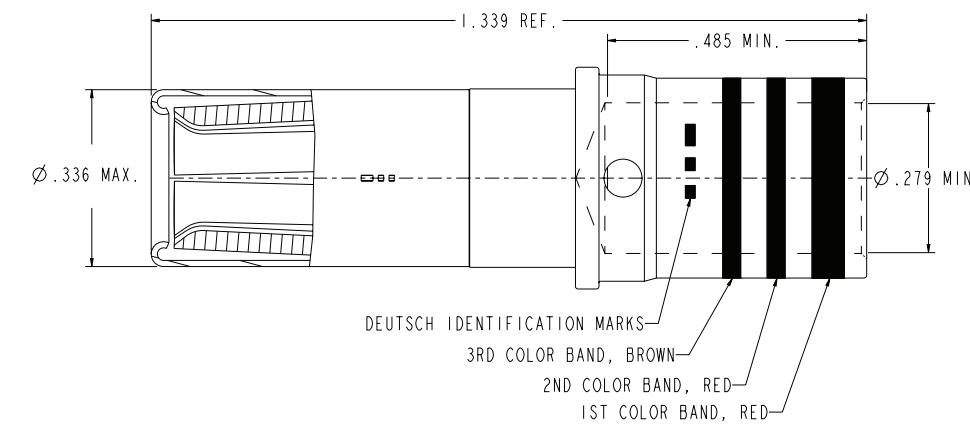


REPRESENTATIVE DRAWINGS

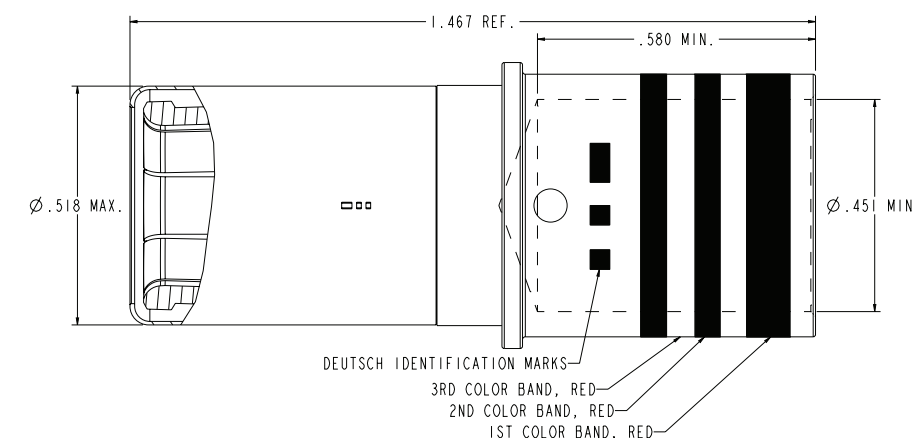
PN 0662-207-0882 Contact, Socket Size 8



PN 0662-207-0482 Contact, Socket Size 4

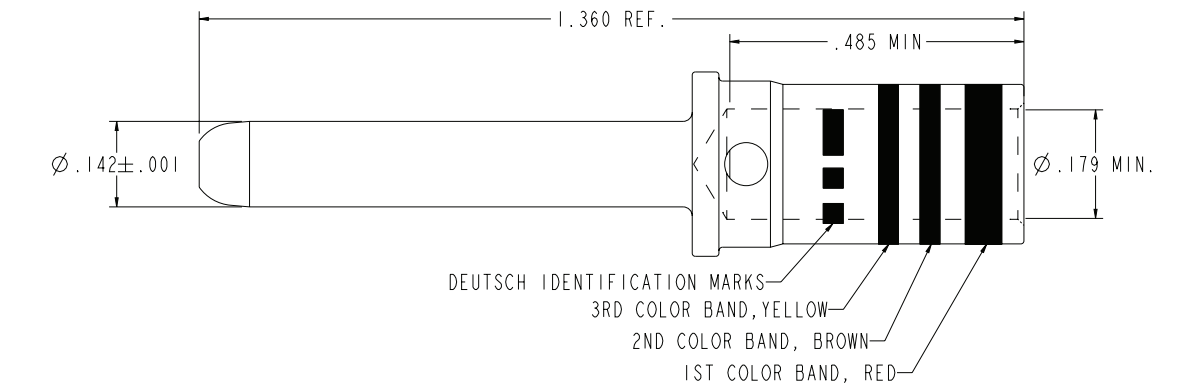


PN 0662-207-0082 Contact, Socket Size 0

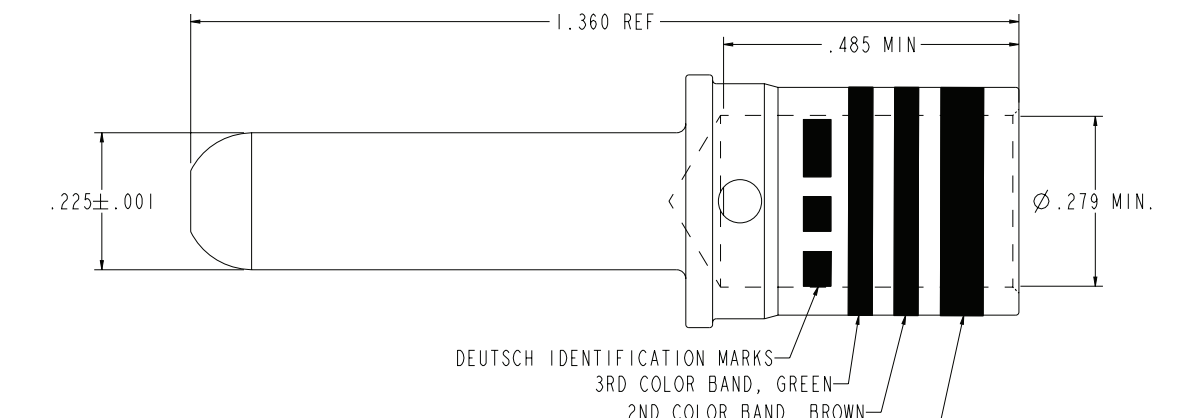


REPRESENTATIVE DRAWINGS

PN 0660-206-0882 Contact, Pin Size 8



PN 0660-206-0482 Contact, Pin Size 4



PN 0660-206-0082 Contact, Pin Size 0

