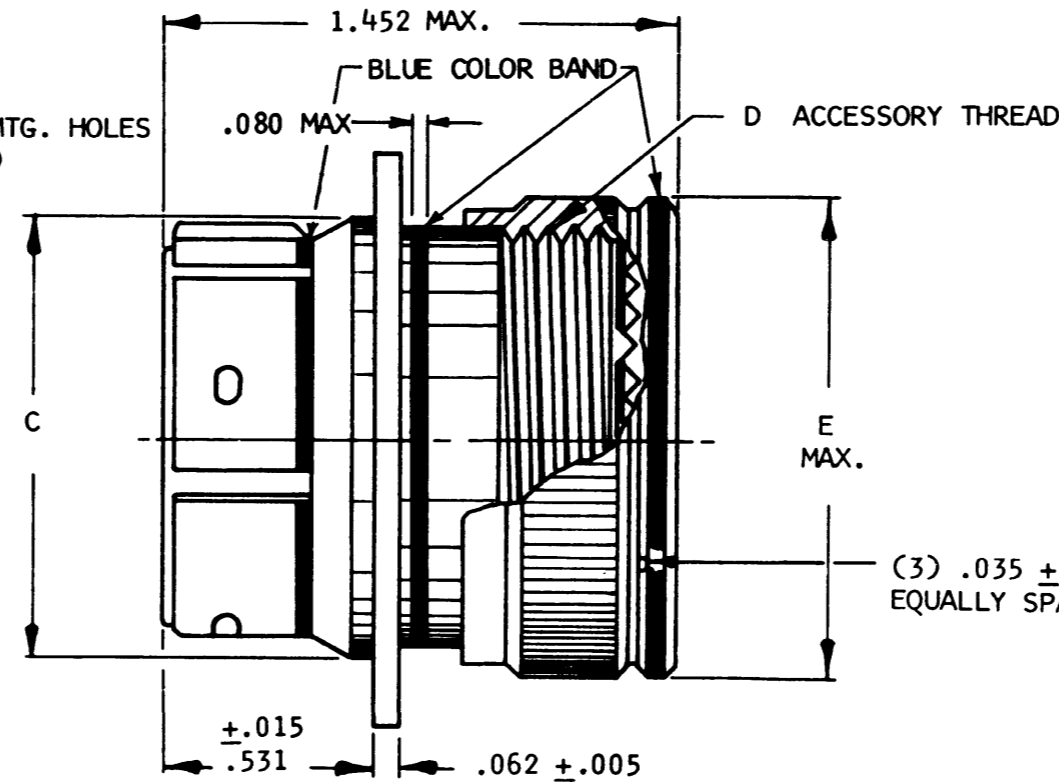
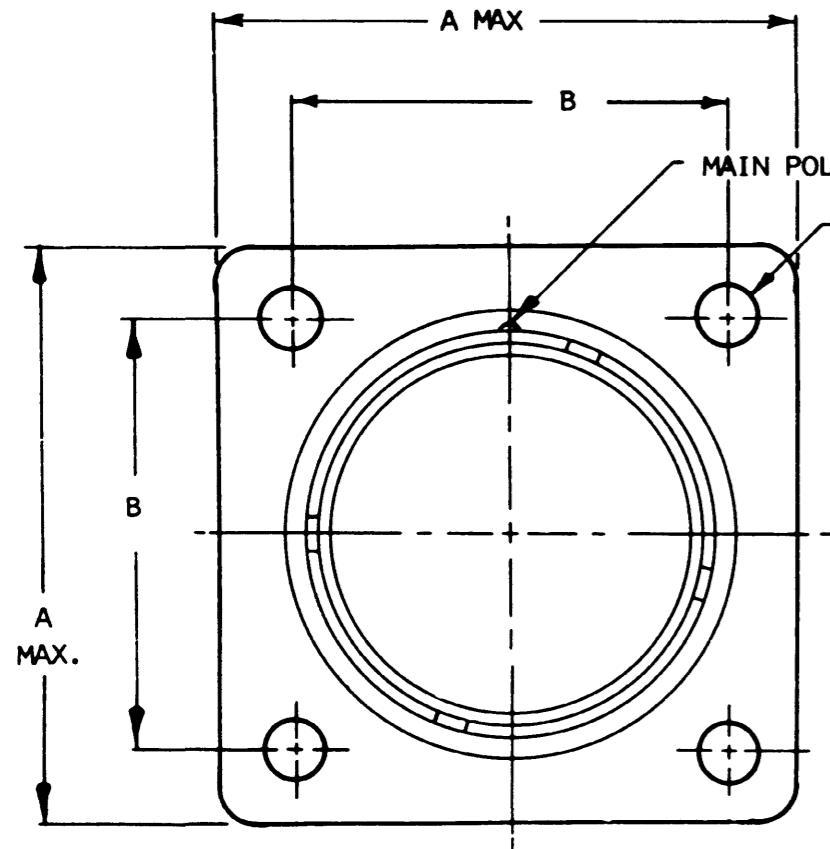


D8170\*\*-\*p/s\*

REVISIONS

| SYM | DESCRIPTION                | DATE    | APPROVED |
|-----|----------------------------|---------|----------|
| N/C | NEW RELEASE PER E.O. 71716 | 4-30-73 | J E F    |



(3) .035 ±.005 DIA. SAFETY WIRE HOLES EQUALLY SPACED.

6. PART NUMBER EXAMPLE:

D8170 E 19 - 0 P N - \*\*

MODIFICATION  
CLOCKING POSITION  
CONTACT STYLE  
INSERT ARRANGEMENT  
SHELL SIZE  
CLASS  
L = FLUID RESISTANT, EXTENDED, 175°  
E = FLUID RESISTANT, 200°  
BASIC IDENTIFIER

- CONNECTOR FINISH: ELECTROLESS NICKEL PER MIL-C-26074, CLASS 4, GRADE A.
- CONNECTOR WEIGHTS SHOWN ARE LESS CONTACTS.
- FOR RECEPTACLE WITH BACKSHELL, WITH STRAIGHT STRAIN RELIEF, OR 90° STRAIN RELIEF, CONSULT FACTORY.
- SEE CATALOG "GENERAL DESCRIPTION" FOR ELECTRICAL AND MATERIAL SPECIFICATION.
- FOR AVAILABLE CONTACT ARRANGEMENTS AND ALTERNATE INSERT POSITIONS, SEE 38500P SHEETS IN DBA PUSH-PULL COUPLING SECTION IN CATALOG.

NOTES:

| PART NO. 'S    | A MAX. | B±.005 | C±.015 | D THREAD 2A    | E MAX. | WEIGHT IN LBS.     |
|----------------|--------|--------|--------|----------------|--------|--------------------|
| D8170* 3-*p/s* | .891   | .625   | .562   | 9/16-24 UNEF   | .682   | P .0230<br>S .0238 |
| D8170* 7-*p/s* | 1.016  | .719   | .675   | 3/4-20 UNEF    | .858   | P .0336<br>S .0350 |
| D8170*12-*p/s* | 1.109  | .812   | .812   | 7/8-20 UNEF    | .984   | P .0428<br>S .0450 |
| D8170*19-*p/s* | 1.203  | .906   | .937   | 1-20 UNEF      | 1.112  | P .0519<br>S .0566 |
| D8170*27-*p/s* | 1.297  | .968   | 1.120  | 1 1/16-18 UNEF | 1.218  | P .0629<br>S .0702 |
| D8170*37-*p/s* | 1.453  | 1.187  | 1.250  | 1 3/16-18 UNEF | 1.345  | P .0804<br>S .0878 |
| D8170*61-*p/s* | 1.797  | 1.436  | 1.562  | 1 1/2-18 UNEF  | 1.653  | P .1181<br>S .1321 |

| SIGNATURE & DATE |                    |
|------------------|--------------------|
| DR               | N. ANDREWS 4-30-73 |
| CHK              | J.E. FOOT 5-3-73   |
| PE               | [Signature]        |
| APPD             |                    |
| SCALE            | NONE               |
| WT               |                    |

CONNECTOR, RECEPTACLE,  
SQUARE FLANGE MTG.,  
PUSH-PULL  
QUICK DISCONNECT COUPLING  
MIL-C-81703 SERIES III TYPE  
(ENVELOPE)

CP MATL. CODE

**The Deutsch Company**  
ELECTRONIC COMPONENTS DIVISION  
Municipal Airport  
Banning, California

B D8170\*\*-\*p/s\*

DWG SIZE CODE 11139 SHEET 1 OF 1