

INCH - POUND

MIL-C-83723/71B
30 June 1992
SUPERSEDING
MIL-C-83723/71A
13 November 1975

MILITARY SPECIFICATION SHEET

- (B) CONNECTORS, ELECTRICAL, (CIRCULAR, ENVIRONMENT RESISTING), RECEPTACLE, (FLANGE MOUNT, BAYONET COUPLING, CRIMP SOCKET CONTACT) SERIES III, CLASSES A, G, R, AND W
- (B) This specification is approved for use by all Departments and Agencies of the Department of Defense.
- (B) The requirements for acquiring the product described herein shall consist of this specification sheet and the issue of following specification listed in that issue of the Department of Defense Index of Specifications and Standards (DODISS) specific in the solicitation: MIL-C-83723.

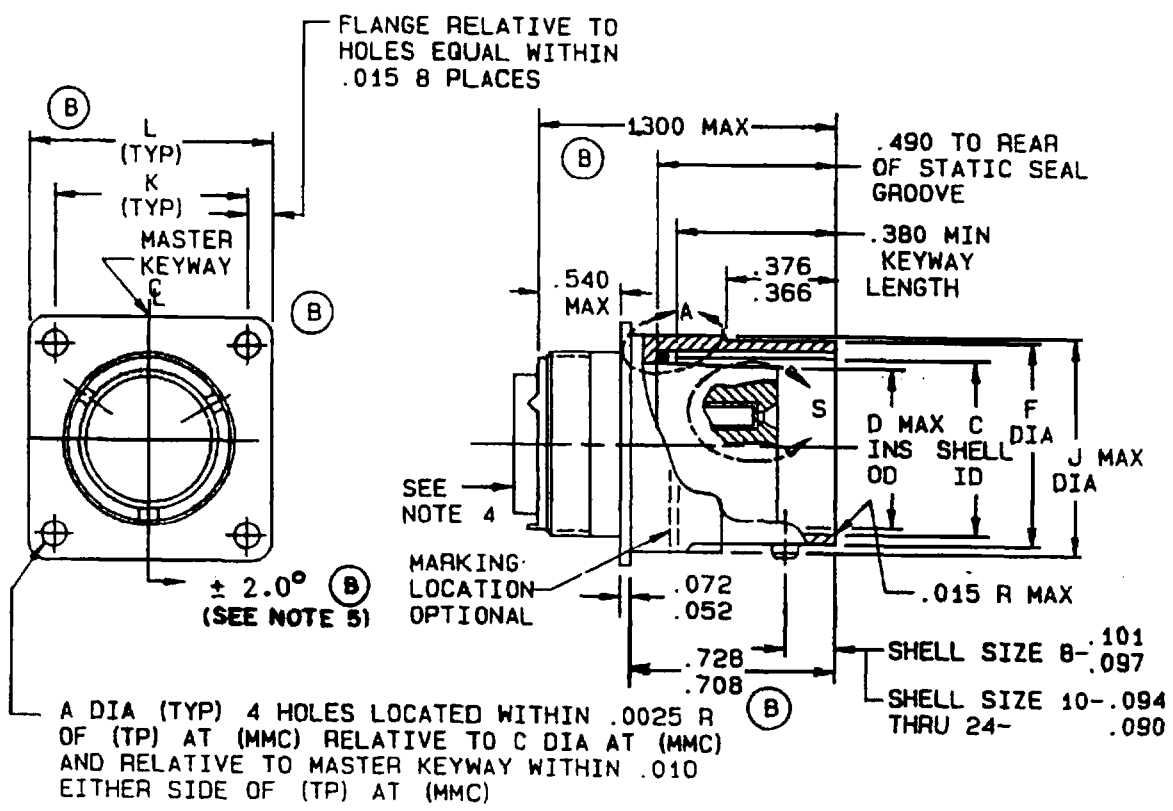
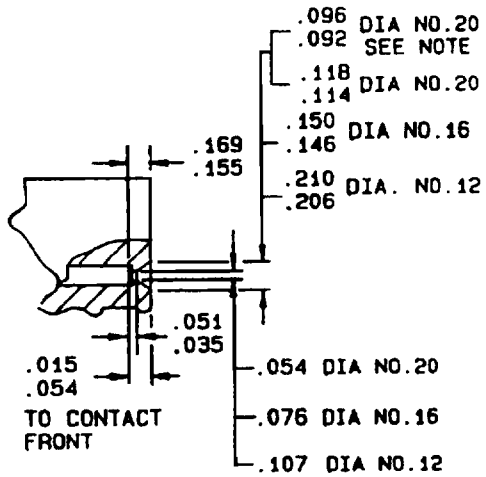
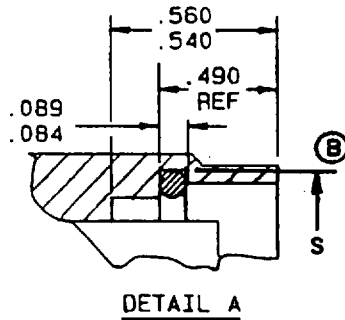


FIGURE 1. Dimensions and configurations.

(B) denotes changes



NOTE: SEE TABLE I FOR CONTACT CAVITIES REQUIRING THIS DIMENSION

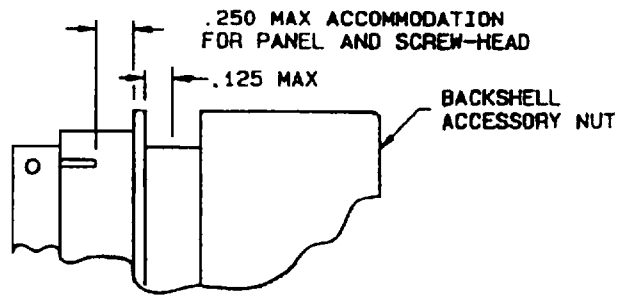


FIGURE 1. Dimensions and configurations - Continued.

②

Shell size	A	C	D	F	J	K	L	S +.005 -.000
8	.120	.428 .433	.312	.536 .531	.561	.594	.812	.508
10	.120	.530 .535	.388	.659 .654	.696	.719	.937	.636
12	.120	.700 .705	.558	.829 .824	.875	.812	1.031	.806
14	.120	.769 .774	.627	.898 .893	.935	.906	1.125	.875
16	.120	.869 .901	.772	1.025 1.020	1.062	.969	1.250	1.002
18	.120	1.002 1.007	.860	1.131 1.126	1.187	1.062	1.343	1.108
20	.120	1.127 1.132	.985	1.256 1.251	1.312	1.156	1.437	1.233
22	.120	1.252 1.257	1.110	1.381 1.376	1.437	1.250	1.562	1.358
24	.149	1.377 1.382	1.235	1.506 1.501	1.562	1.375	1.703	1.483

FIGURE 1. Dimensions and configurations - Continued.

MIL-C-83723/71B

Inches	mm	Inches	mm	Inches	mm	Inches	mm	Inches	mm
.0025	.06	.210	5.33	.591	15.01	.950	24.13	1.454	36.93
.004	.10	.237	6.02	.594	15.09	.969	24.61	1.492	37.90
.005	.13	.242	6.15	.601	15.27	.985	25.02	1.501	38.13
.010	.25	.250	6.35	.610	15.49	1.002	25.45	1.506	38.25
.015	.38	.288	7.32	.627	15.93	1.007	25.58	1.516	38.51
.025	.64	.293	7.44	.649	16.48	1.010	25.65	1.557	39.55
.035	.89	.301	7.65	.654	16.61	1.020	25.91	1.562	39.67
.051	1.30	.310	7.87	.659	16.74	1.025	26.04	1.616	40.05
.052	1.32	.312	7.92	.664	16.87	1.031	26.19	1.627	41.33
.054	1.37	.365	9.27	.673	17.09	1.062	26.97	1.703	43.26
.063	1.60	.366	9.30	.696	17.68	1.070	27.18	1.717	43.61
.068	1.73	.373	9.47	.700	17.78	1.110	28.19	1.746	44.35
.072	1.83	.374	9.50	.705	17.91	1.125	28.58	1.852	47.04
.076	1.93	.376	9.55	.708	17.98	1.126	28.60	1.907	48.44
.077	1.96	.380	9.65	.711	18.06	1.127	28.63	1.951	49.56
.084	2.13	.388	9.86	.716	18.19	1.130	28.70	1.976	50.19
.089	2.26	.408	10.36	.719	18.26	1.131	28.73	2.084	52.93
.090	2.29	.413	10.49	.726	18.44	1.132	28.75	2.086	52.98
.091	2.31	.428	10.87	.728	18.49	1.156	29.36	2.142	54.41
.092	2.34	.433	11.00	.735	18.67	1.187	30.15	2.181	55.40
.094	2.39	.450	11.43	.769	19.53	1.190	30.23	2.204	55.98
.096	2.44	.459	11.66	.772	19.61	1.219	30.96	2.206	56.03
.097	2.46	.471	11.96	.774	19.66	1.235	31.37	2.207	56.06
.101	2.57	.476	12.09	.789	20.04	1.250	31.75	2.304	58.52
.105	2.67	.485	12.32	.798	20.27	1.251	31.78	2.315	58.80
.107	2.72	.490	12.45	.812	20.62	1.252	31.80	2.329	59.16
.114	2.90	.494	12.55	.824	20.93	1.256	31.90	2.405	61.09
.118	3.00	.524	13.31	.829	21.06	1.257	31.93	2.434	61.82
.120	3.05	.529	13.44	.830	21.08	1.260	32.00	2.446	62.13
.122	3.10	.530	13.46	.860	21.84	1.300	33.02	2.540	64.52
.125	3.18	.531	13.49	.869	22.07	1.312	33.32	2.639	67.03
.128	3.25	.535	13.59	.875	22.23	1.320	33.53	2.664	67.67
.140	3.56	.536	13.61	.880	22.35	1.343	34.11	2.772	70.41
.146	3.71	.540	13.72	.893	22.68	1.375	34.93	2.894	73.51
.149	3.78	.548	13.92	.896	22.76	1.376	34.95	2.895	73.53
.150	3.81	.557	14.15	.898	22.81	1.377	34.98	3.017	76.63
.155	3.94	.558	14.17	.901	22.89	1.381	35.08	3.134	79.60
.169	4.29	.560	14.22	.906	23.01	1.382	35.10	3.250	82.55
.190	4.83	.561	14.25	.935	23.75	1.389	35.28	4.166	105.82
.206	5.23	.586	14.88	.937	23.80	1.437	36.50	4.854	123.29

FIGURE 1. Dimensions and configurations - Continued.

NOTES:

1. Dimensions are in inches.
2. Metric equivalents are given for general information only.
3. Unless otherwise specified, tolerances are ± 0.005 (0.13 mm) for three place decimals and ± 0.01 (0.3 mm) for two place decimals and ± 1 for all angles.
4. Rear accessory interchangeability dimensions shall be in accordance with MIL-C-83723 and MIL-C-85049.
5. The centerline of indicated projection must be located on vertical centerline within 2° .

FIGURE 1. Dimensions and configurations - Continued.TABLE I. Insert arrangements requiring reduced diameters for lead-in chamfer on contact cavities.

Shell size	Insert arrangements	Contact cavities
8	-3	1, 2, 3
10	-6	1, 2, 3, 4, 5, 6

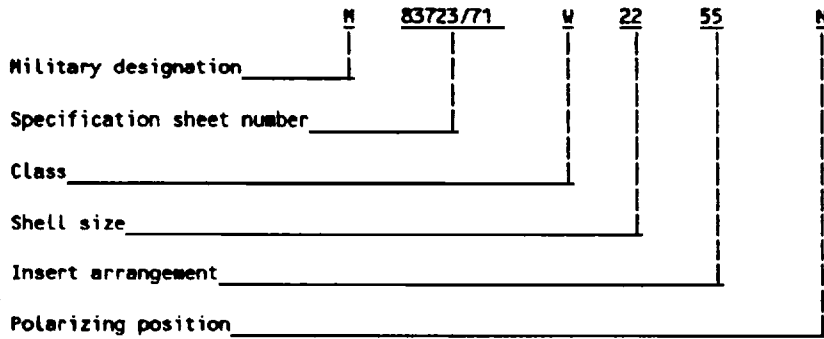
MIL-C-83723/71B

REQUIREMENTS:

- ⑧ Dimensions and configurations: See figure 1.
- ⑧ For insert arrangement, see MIL-STD-1554.
- ⑧ For connector accessories, see MIL-C-85049.

This connector mate with MIL-C-83723/76 and MIL-C-83723/78.

- ⑧ Part or Identifying Number (PIN) example:



CONCLUDING MATERIAL

Custodian:
Army - CR
Navy - AS

Preparing activity
Air Force - 85

Review activities:
Army - AR, MI
Navy - EC
Air Force - 11, 15, 17, 80
DLA - ES

Agent:
DLA - ES

(Project 5935-3728-04)