



DEUTSCH

TE Internal #: ZPF000000000015299

TE Internal Description: DMC-M 20-22 BN

[View on TE.com >](#)

Connectors > Rectangular Connectors > Standard Rectangular Connectors



Product Type: **Socket Insert Module**

Termination Method to Wire & Cable: **Crimp**

Contact Plating Material: **Gold**

Contact Retention Within Housing: **With**

Number of Positions: **20**

Features

Product Type Features

Shape	Rectangular
Prewired	No
Strain Relief	Without
Boxmount	No
Connector Type	Connector Assembly
Product Type	Socket Insert Module
Sealable	Yes
Connector & Contact Terminates To	Wire & Cable

Configuration Features

Number of Signal Positions	20
Number of Cavities	20
Keying	N
Number of Power Positions	0
Number of Columns	5
Number of Loaded Positions	0
Number of Positions	20
Number of Rows	4

Electrical Characteristics

Operating Voltage	125 VDC
-------------------	---------

Body Features

Module Material	Composite
-----------------	-----------

Contact Features

Contact Layout	Matrix
Contact Type	Without Female Contact
Contact Size	22
Contact Style	Crimp
Contact Underplating Material	Nickel
Contact Plating Material	Gold
Contact Retention Within Housing	With
Contact Current Rating (Max)	5 A

Termination Features

Termination Method to Wire & Cable	Crimp
------------------------------------	-------

Mechanical Attachment

Contact Retention Type Within Housing	Retention Clip
---------------------------------------	----------------

Housing Features

Housing Material	Aluminum
Centerline (Pitch)	25.4 mm[1 in]

Dimensions

Wire Size	.6 – .15 mm ²
Row-to-Row Spacing	16 mm[.63 in]

Usage Conditions

Operating Temperature Range	-65 – 175 °C[-85 – 392 °F]
-----------------------------	----------------------------

Operation/Application

Circuit Application	Power & Signal & Data
---------------------	-----------------------

Product Compliance

[For compliance documentation, visit the product page on TE.com>](#)

EU RoHS Directive 2011/65/EU	Compliant
EU ELV Directive 2000/53/EC	Not Yet Reviewed
China RoHS 2 Directive MIIT Order No 32, 2016	No Restricted Materials Above Threshold

EU REACH Regulation (EC) No. 1907/2006

Current ECHA Candidate List: JAN 2020
(205)Candidate List Declared Against: JUL 2019
(201)

Does not contain REACH SVHC

EU REACH Regulation (EC) No. 1907/2006

Current ECHA Candidate List: JAN 2020
(205)Candidate List Declared Against: JUL 2019
(201)

Halogen Content

Low Halogen - Br, Cl, F, I < 900 ppm per
homogenous material. Also BFR/CFR/PVC
Free

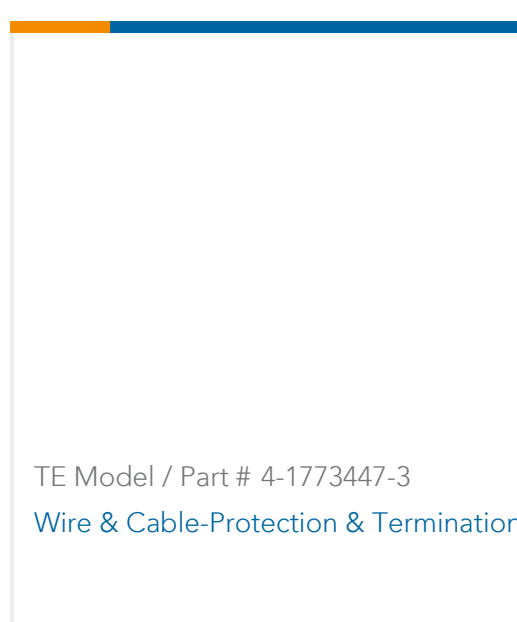
Solder Process Capability

Not reviewed for solder process capability

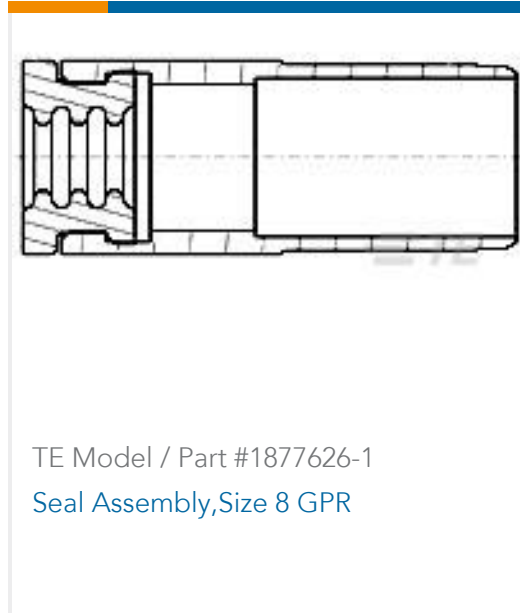
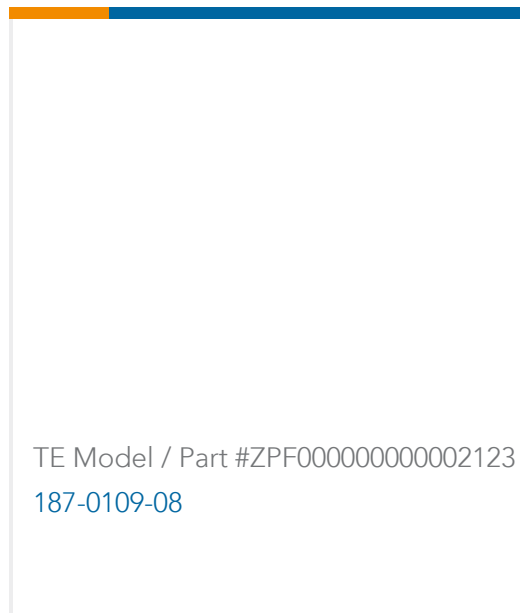
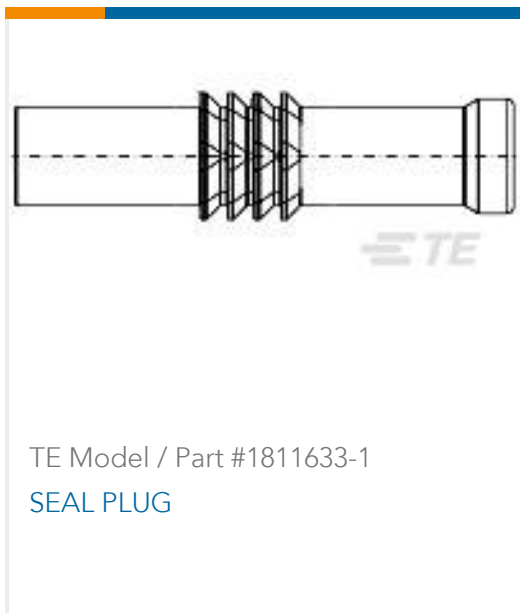
Product Compliance Disclaimer

This information is provided based on reasonable inquiry of our suppliers and represents our current actual knowledge based on the information they provided. This information is subject to change. The part numbers that TE has identified as EU RoHS compliant have a maximum concentration of 0.1% by weight in homogenous materials for lead, hexavalent chromium, mercury, PBB, PBDE, DBP, BBP, DEHP, DIBP, and 0.01% for cadmium, or qualify for an exemption to these limits as defined in the Annexes of Directive 2011/65/EU (RoHS2). Finished electrical and electronic equipment products will be CE marked as required by Directive 2011/65/EU. Components may not be CE marked. Additionally, the part numbers that TE has identified as EU ELV compliant have a maximum concentration of 0.1% by weight in homogenous materials for lead, hexavalent chromium, and mercury, and 0.01% for cadmium, or qualify for an exemption to these limits as defined in the Annexes of Directive 2000/53/EC (ELV). Regarding the REACH Regulations, TE's information on SVHC in articles for this part number is still based on the European Chemical Agency (ECHA) 'Guidance on requirements for substances in articles' (Version: 2, April 2011), applying the 0.1% weight on weight concentration threshold at the finished product level. TE is aware of the European Court of Justice ruling of September 10th, 2015 also known as O5A (Once An Article Always An Article) stating that, in case of 'complex object', the threshold for a SVHC must be applied to both the product as a whole and simultaneously to each of the articles forming part of its composition. TE has evaluated this ruling based on the new ECHA "Guidance on requirements for substances in articles" (June 2017, version 4.0) and will be updating its statements accordingly.

Compatible Parts



Customers Also Bought



Documents

CAD Files

3D PDF

3D

Customer View Model

[ENG_CVM_CVM_ZPF00000000015299_1.2d_dxf.zip](#)

English

Customer View Model

[ENG_CVM_CVM_ZPF00000000015299_1.3d_igs.zip](#)

English

Customer View Model

[ENG_CVM_CVM_ZPF00000000015299_1.3d_stp.zip](#)

English

By downloading the CAD file I accept and agree to the [Terms and Conditions](#) of use.

Datasheets & Catalog Pages

[DMC-M Series Single Module EN4165](#)

English