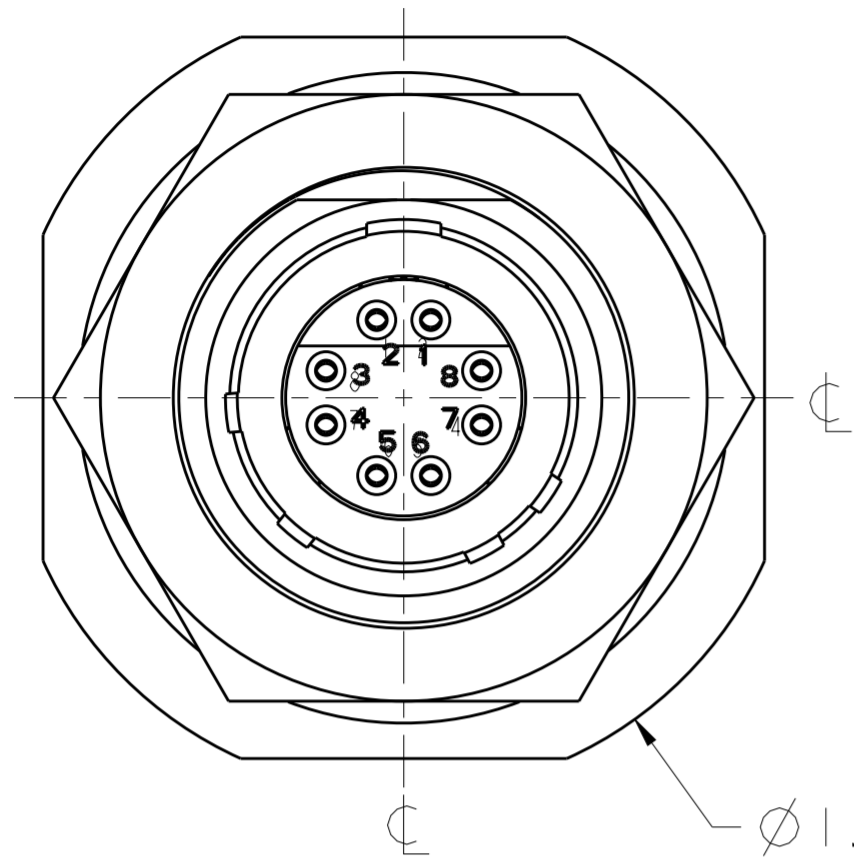


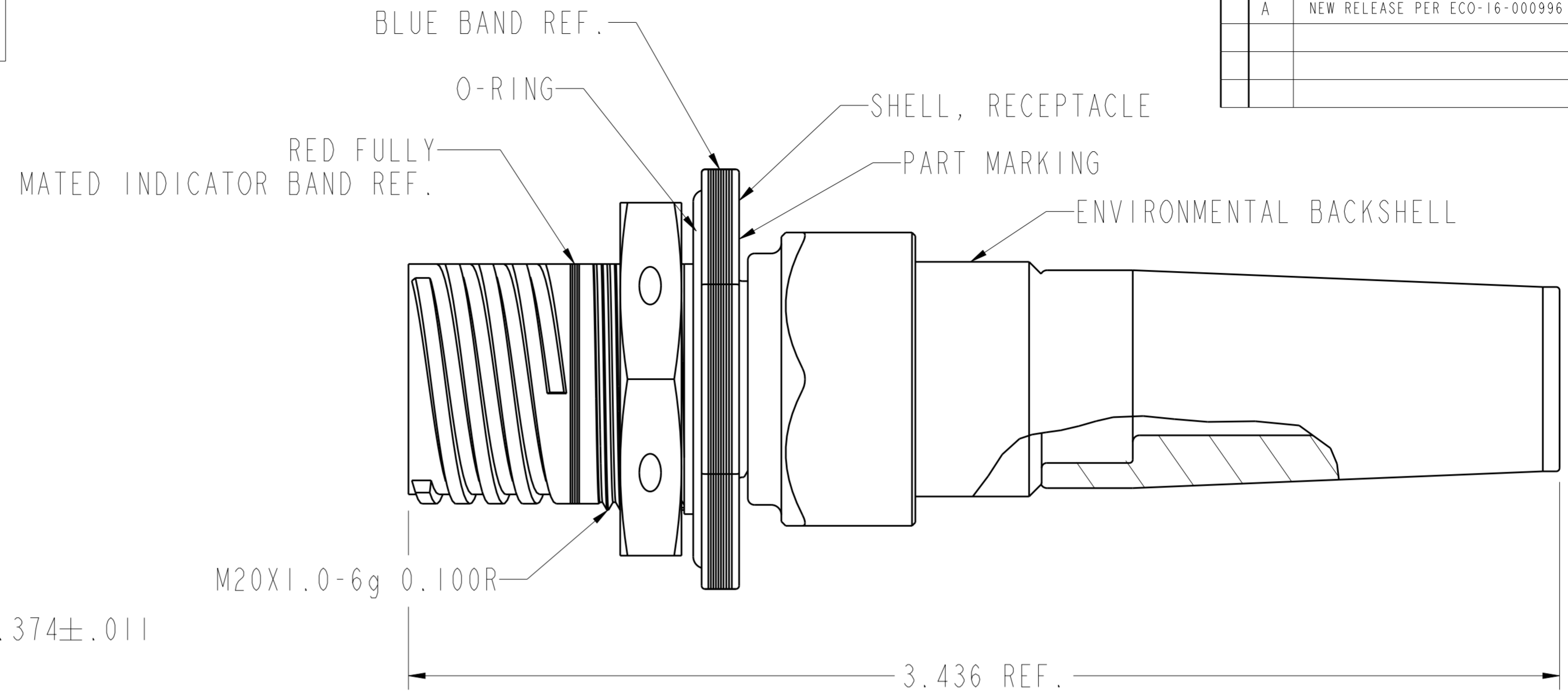
THIS DRAWING IS UNPUBLISHED. RELEASED FOR PUBLICATION 20
 © COPYRIGHT 20 ALL RIGHTS RESERVED.

PROPERTY OF THE TE CONNECTIVITY
 THIS INFORMATION IS CONFIDENTIAL AND PROPERTY TO TYCO ELECTRONICS CORPORATION
 AND ITS WORLDWIDE SUBSIDIARIES AND AFFILIATES (TE). IT MAY NOT BE DISCLOSED TO
 ANYONE, OTHER THAN TE PERSONNEL, WITHOUT AUTHORIZATION FROM TE (www.TE.com).

| LOC | | DIST | | REVISIONS | | | |
|-----|-----|-------------------------------|--------|-----------|------|--|--|
| P | LTR | DESCRIPTION | DATE | DWN | APVD | | |
| | A | NEW RELEASE PER ECO-16-000996 | 160122 | JPF | JPF | | |



PIN INSERT MARKING SHOWN ABOVE



6. COMPOSITE WEIGHT WITHOUT MODULES AND CABLE: 0.0674 POUNDS.
 METAL WEIGHT WITHOUT MODULES AND CABLE: 0.079 POUNDS.
 PIN MODULE WEIGHT: .005 LBS.
 SOCKET MODULE WEIGHT: .011 LBS.

5. MATES WITH CFX26x1108xxx.

△4. FINISH: SHELL/BACKSHELL - SEE TABLE.
 CONTACTS - SEE PART NUMBER BREAKDOWN.

△3. MATERIAL: SHELL - SEE TABLE.
 BACKSHELL/COUPLING RING - ALUMINUM ALLOY.
 CONTACTS - COPPER ALLOY.
 RESILIENT INSERTS/BACKSHELL GROMMET - SILICONE ELASTOMER.
 PLASTIC INSERTS - THERMOPLASTIC.

2. FOR AVAILABILITY CONSULT FACTORY.

△1. ALL DIMENSIONS ARE IN INCHES UNLESS OTHERWISE SPECIFIED.

CFX24 (x)₁ 1108 (x)₂ Z (x)₃ xxx
 MODIFICATION
 KEYING POSITION:
 N, A, B, C, D, E
 CONTACT TERMINATION:
 Z = CRIMPED CONTACT
 A THROUGH Y = EXTENDED CONTACT
 (SEE SHEET 2)
 CONTACT FINISH:
 P = PIN LOCALIZED GOLD FINISH
 S = SOCKET LOCALIZED GOLD FINISH
 F = PIN FULL GOLD FINISH
 G = SOCKET FULL GOLD FINISH
 H = PIN HI REL FINISH
 J = SOCKET HI REL FINISH
 A = LESS PIN CONTACT
 B = LESS SOCKET CONTACT
 SHELL SIZE/INSERT ARRANGEMENT
 PLATING/SHELL MATERIAL:
 SEE TABLE
 BASIC IDENTIFIER

| PART NUMBER (x) ₁ | PLATING △4 | SHELL MATERIAL △3 |
|------------------------------|-------------------|-------------------|
| M | NICKEL | COMPOSITE |
| J | O.D. CAD | COMPOSITE |
| F | NICKEL | ALUMINUM |
| W | O.D. CAD | ALUMINUM |
| S | NICKEL | STAINLESS STEEL |
| T | TEFLON NICKEL | ALUMINUM |
| Z | BLACK ZINC NICKEL | ALUMINUM |

| SIZE II PART NUMBER (x) ₃ | POS |
|--------------------------------------|-----|
| CFX24x1108xZN | N |
| CFX24x1108xZA | A |
| CFX24x1108xZB | B |
| CFX24x1108xZC | C |
| CFX24x1108xZD | D |
| CFX24x1108xZE | E |

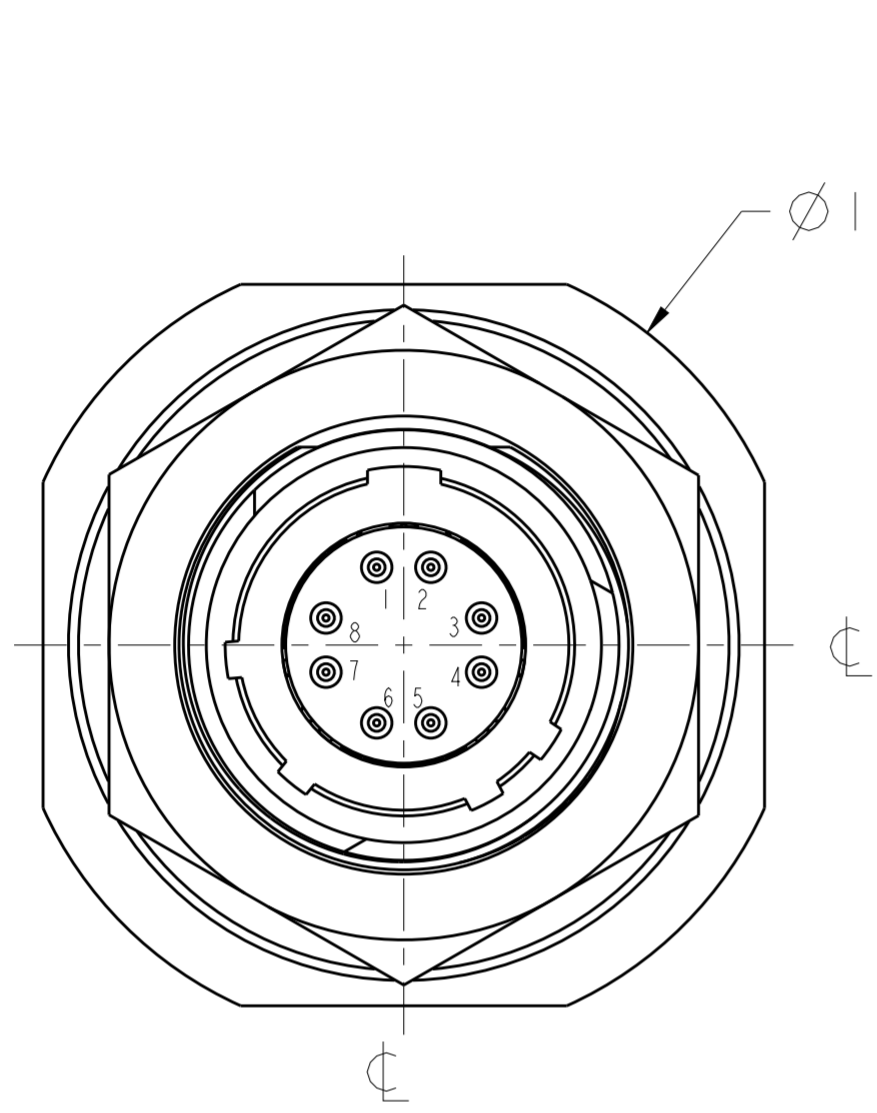
THIS DRAWING IS A CONTROLLED DOCUMENT.

| | | | |
|--|---------------|-------------|---|
| DWN | JPF | 140219 | TE Connectivity |
| CHK | JPF | 160122 | |
| APVD | AR | 160122 | |
| PRODUCT SPEC | | | |
| APPLICATION SPEC | | | NAME |
| WEIGHT | | | CONNECTOR, RECEPTACLE JAM NUT MOUNTING, THREADED COUPLING, 1108 ARRANGEMENT |
| MATERIAL | | | SIZE |
| TOLERANCES UNLESS OTHERWISE SPECIFIED: | | | CAGE CODE |
| 0 PLC ±1 | 1 PLC ±0.1 | 2 PLC ±0.01 | DRAWING NO |
| 3 PLC ±0.005 | 4 PLC ±0.0005 | ANGLES ±0.5 | RESTRICTED TO |
| FINISH | | | SCALE |
| CUSTOMER DRAWING | | | 3.000 |
| SHEET 1 OF 2 | | | REV A |

THIS DRAWING IS UNPUBLISHED. RELEASED FOR PUBLICATION 20
 © COPYRIGHT 20 ALL RIGHTS RESERVED.

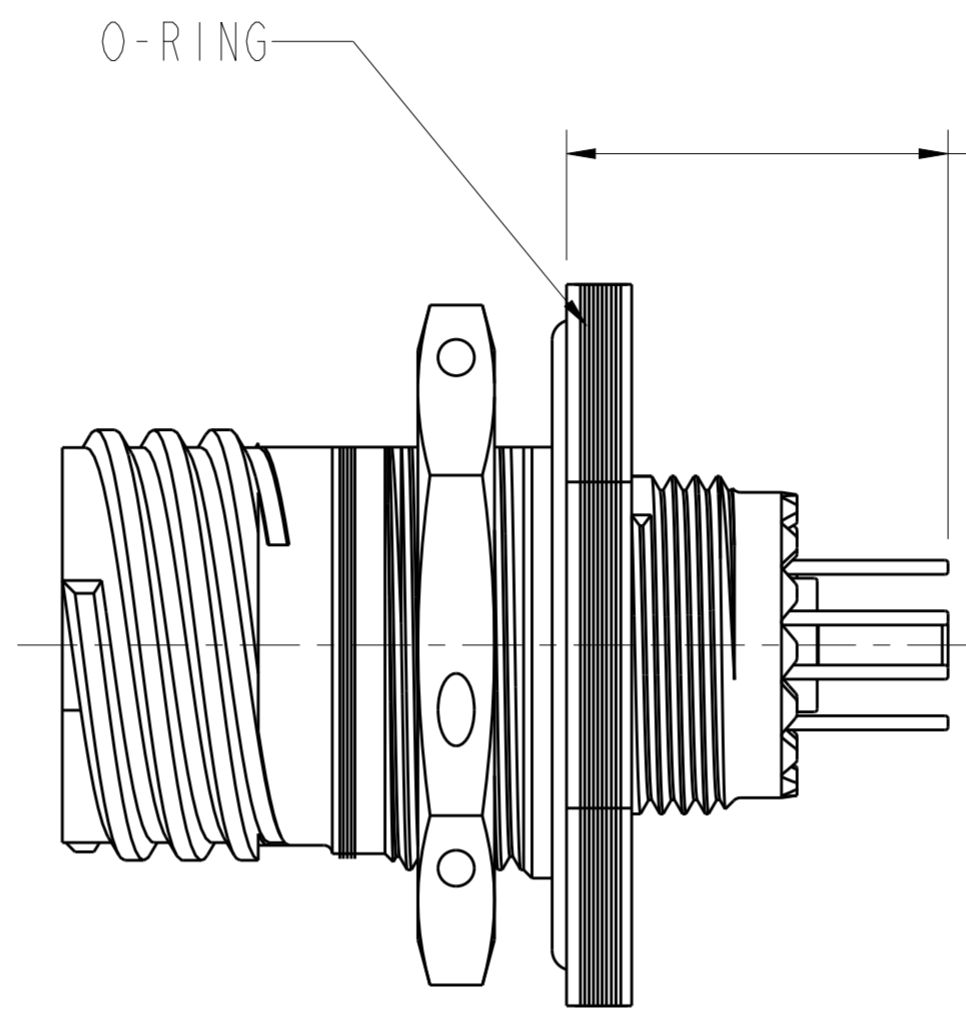
PROPERTY OF THE TE CONNECTIVITY
 THIS INFORMATION IS CONFIDENTIAL AND PROPERTY TO TYCO ELECTRONICS CORPORATION
 AND ITS WORLDWIDE SUBSIDIARIES AND AFFILIATES (TE). IT MAY NOT BE DISCLOSED TO
 ANYONE, OTHER THAN TE PERSONNEL, WITHOUT AUTHORIZATION FROM TE (www.TE.com).

| LOC | | DIST | | REVISIONS | | | |
|-----|-----|-------------|------|-----------|------|--|--|
| P | LTR | DESCRIPTION | DATE | DWN | APVD | | |
| - | | SEE SHEET 1 | | | | | |



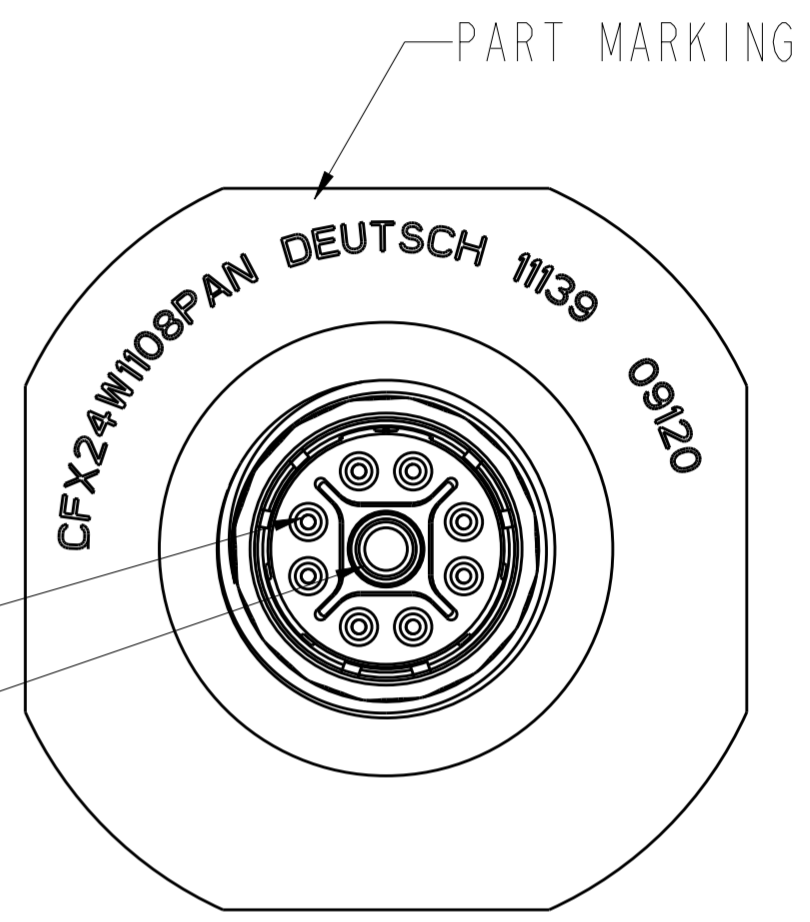
PIN INSERT MARKING SHOWN ABOVE

$\varnothing 1.374 \pm .011$



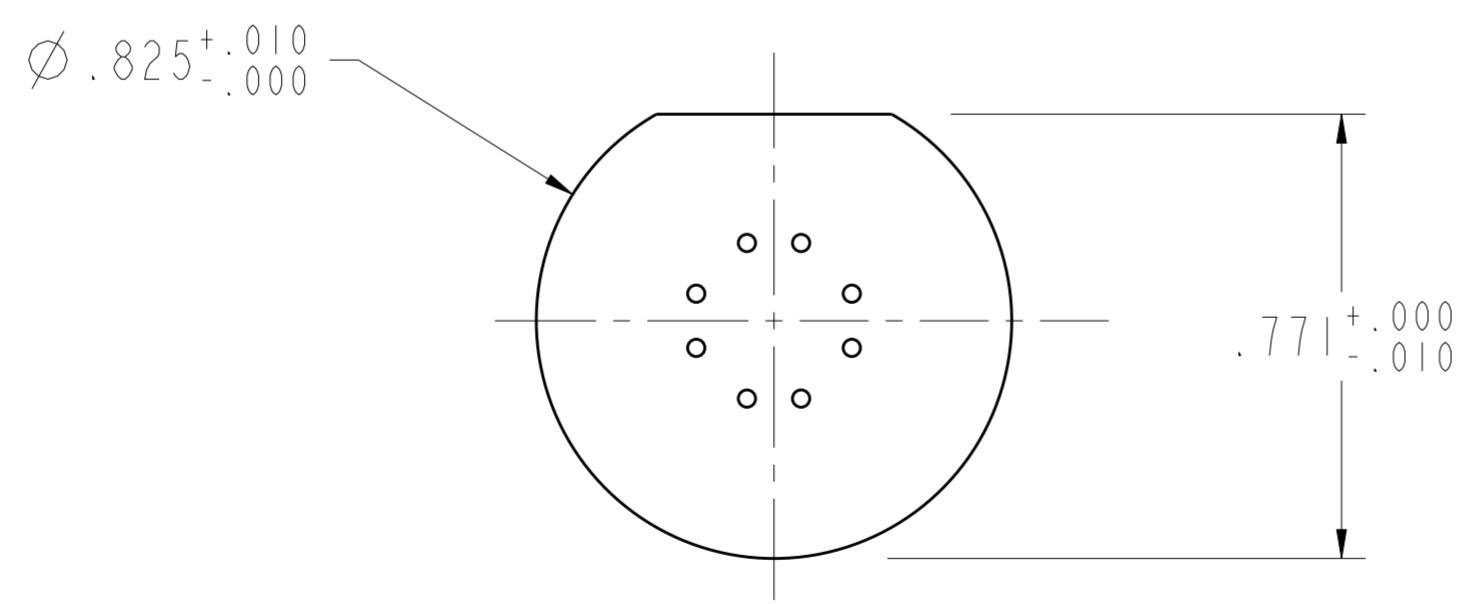
SHELL, RECEPTACLE WITH EXTENDED CONTACTS

CONTACT LENGTH



8X CONTACT ONE
 CONTACT TWO

PART MARKING



JAM NUT MOUNTING
 PANEL THICKNESS: 0.062-0.126 in.
 TORQUE: 40/45 inch-lbs

| CONTACT CONFIGURATION IDENTIFIER | CONTACT LENGTH ±.025 | CONTACT ONE DIAMETER ±.003 | CONTACT TWO DIAMETER ±.003 | PLATING |
|----------------------------------|----------------------|----------------------------|----------------------------|------------------|
| A | .662 | .025 | .095 | GOLD OVER NICKEL |
| B | TBD | | | |
| C | TBD | | | |
| D | TBD | | | |

| | | | | |
|--|--------------|------------------|---|------------------|
| THIS DRAWING IS A CONTROLLED DOCUMENT. | | DWN: JPF 140219 | STE TE Connectivity | |
| DIMENSIONS: INCH | | CHK: JPF 160122 | | |
| TOLERANCES UNLESS OTHERWISE SPECIFIED: | | APVD: AR 160122 | NAME: CONNECTOR, RECEPTACLE JAM NUT MOUNTING, THREADED COUPLING, 1108 ARRANGEMENT | |
| 0 PLC ±1 | 1 PLC ±0.1 | PRODUCT SPEC | SIZE: A2 | CAGE CODE: 11139 |
| 2 PLC ±0.01 | 3 PLC ±0.005 | APPLICATION SPEC | DRAWING NO: C-CFX24x1108xxx | RESTRICTED TO: - |
| 4 PLC ±0.0005 | ANGLES ±0.5 | WEIGHT: - | SCALE: 3.000 | SHEET: 2 OF 2 |
| MATERIAL: 3. | FINISH: 4. | Customer Drawing | REV: A | |