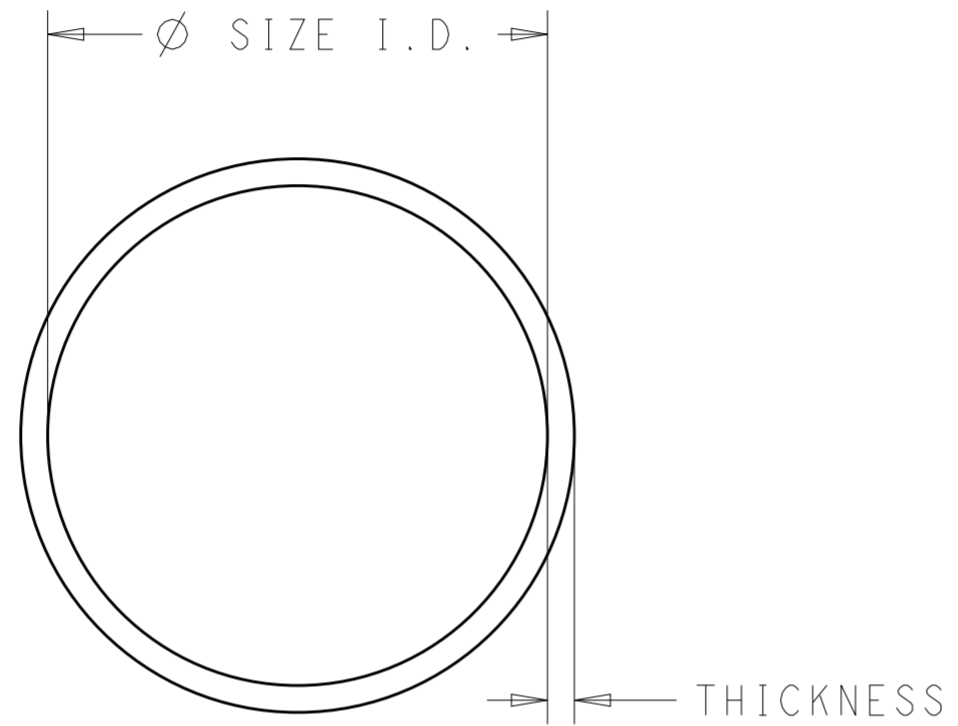


P	LTR	DESCRIPTION	DATE	DWN	APVD
-		NEW RELEASE PER TDRO AA00562	000111		D. D
A		REVISED PER E.O. C7538	090130		E. A.
B		REVISED PER ECO-19-017620	191115	MJG	AR



(B1)

9013-3-****	ØSIZE I.D.	THICKNESS	MATERIAL
9013-3-0101	.614±.009	.070±.003	SILICONE
9013-3-0102	.614±.009	.070±.003	FLUOROSILICONE
9013-3-0201	1.489±.013	.070±.003	SILICONE
9013-3-0202	1.489±.013	.070±.003	FLUOROSILICONE
9013-3-0301	1.614±.013	.070±.003	SILICONE
9013-3-0302	1.614±.013	.070±.003	FLUOROSILICONE
9013-3-0401	1.739±.015	.070±.003	SILICONE
9013-3-0402	1.739±.015	.070±.003	FLUOROSILICONE
9013-3-0502	.676±.009	.070±.003	FLUOROSILICONE
9013-3-0602	1.051±.010	.070±.003	FLUOROSILICONE
9013-3-0702	.801±.009	.070±.003	FLUOROSILICONE
9013-3-0802	1.176±.011	.070±.003	FLUOROSILICONE
9013-3-0902	1.301±.011	.070±.003	FLUOROSILICONE

(B2)

THIS DRAWING IS A CONTROLLED DOCUMENT.		DWN D. DIERICKX 000111	STE TE Connectivity	
DIMENSIONS: in		CHK E. A. 090202		
TOLERANCES UNLESS OTHERWISE SPECIFIED:		APVD A. RENGIFO 090202	NAME O-RING	
0 PLC ±-		PRODUCT SPEC	ENVELOPE	
1 PLC ±.1		APPLICATION SPEC	SIZE	CAGE CODE
2 PLC ±.02		WEIGHT	A2	11139
3 PLC ±.005		CUSTOMER DRAWING	DRAWING NO 9013-3-XXXX	
4 PLC ±.0005		SCALE	2:1	SHEET 1 OF 1
ANGLES ±-		RESTRICTED TO	REV B	
FINISH -				

NOTES: UNLESS OTHERWISE SPECIFIED