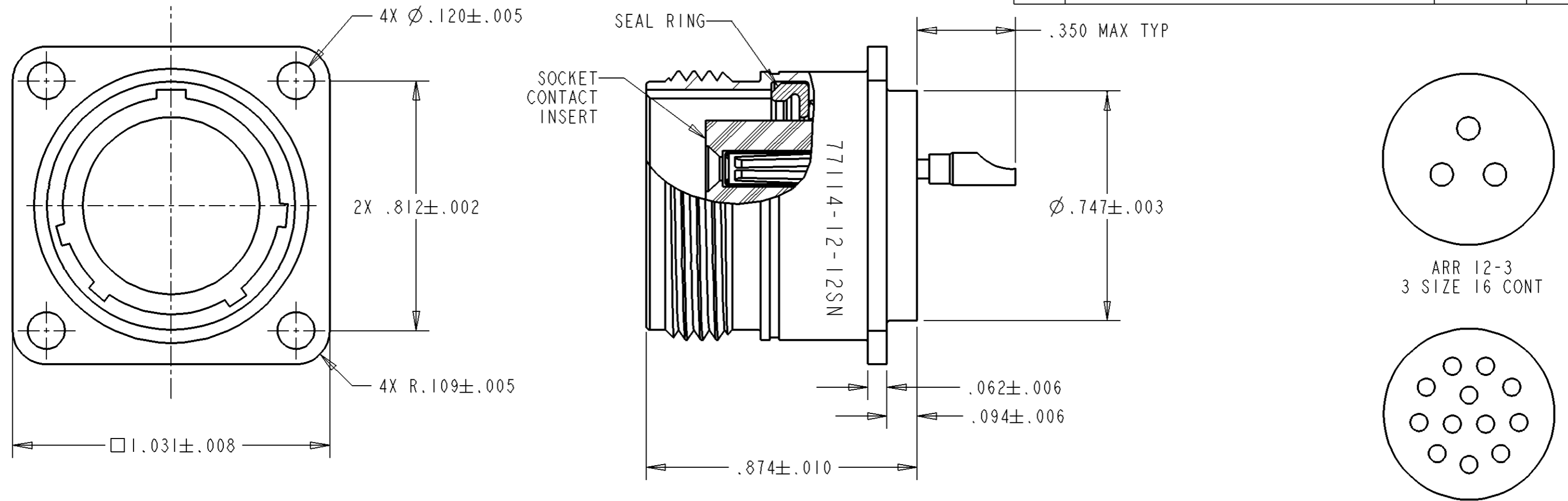


REVISIONS			
REV	DESCRIPTIONS	DATE	APPROVED
N/C	NEW RELEASE PER E.O.H4199	6/3/05	F.B.
A	REVISED PER E.O.H4586	091123	MA



1. DIMENSIONS ARE IN INCHES UNLESS OTHERWISE SPECIFIED.
2. INSERT ARRANGEMENT PER MIL-STD-1554.
3. LEAK RATE: $< 1E-8$ cc/sec He @ 1 atm.
4. INSULATION RESISTANCE: > 5000 MEGOHM @ 500 VDC
DIELECTRIC WITHSTANDING VOLTAGE:
NO BREAKDOWN @ 2300 VAC (SIZE 16) / @1500 VAC (SIZE 20)
5. PART NUMBER DESCRIPTION: 77114-12-**P*

- KEYWAY CLOCKING POSITION:
N=NORMAL, 6, 7,....
- INSERT ARRANGEMENT
6. MATERIAL:
SHELL - 304L STAINLESS STEEL
INSULATOR - GLASS INSERT
SOLDERPOT/SOCKET CONTACT - 52 ALLOY/COPPER ALLOY
SEAL RING/SOCKET INSERT - ELASTOMER/PLASTIC
 7. FINISH:
SHELL - PASSIVATION
CONTACT - GOLD OVER NICKEL


NOTE(S):

	SIGNATURE & DATE
DR	S.LUI 6/1/05
CHK	F.BAUTISTA 6/3/05
PE	E.BALDERAZ 6/3/05
APPD	E.BALDERAZ 6/3/05
SCALE:	

RECEPTACLE, CONNECTOR
THREADED COUPLING
FLANGE MOUNT
M83723 SERIES III &
ESCIO TYPE
SOCKET UNIT

ENVELOPE

FILE:77114-12-XXSX-ENV-SNAP

CP	MATL CODE 74
DEUTSCH ENGINEERED INTERCONNECT SOLUTIONS  250 Eddie Jones Way Oceanside, CA 92058	
B	77114-12-**S*
DWG SIZE	CAGE CODE 11139 SHEET 1 OF 1