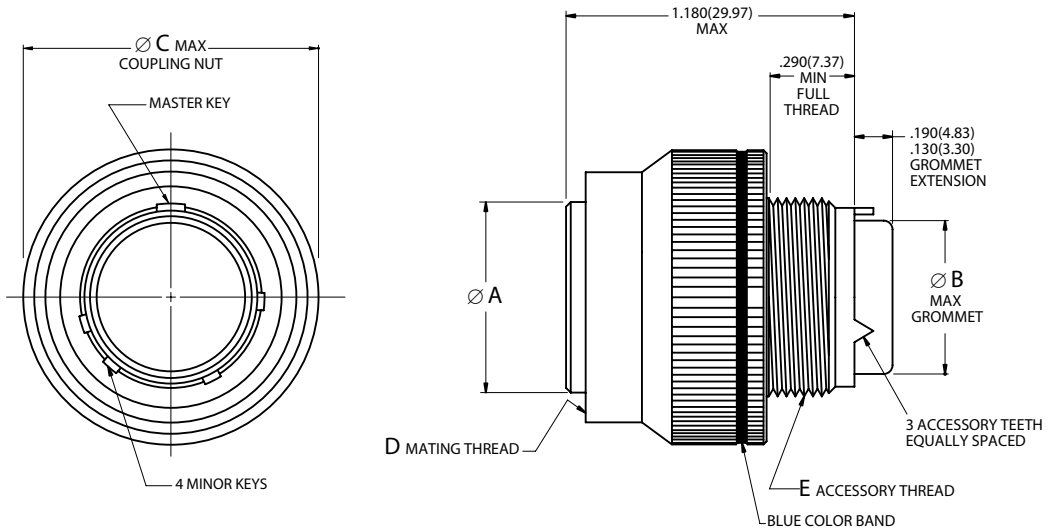


**M83723/95, 96**  
**Self-Locking Plug**  
**AE83395, 96**



**Threaded Coupling, Crimp Removable, Rear Release**



Page 129 Completed Part Number  
 Page 145 Contacts, Sealing Plugs and Tools  
 Pages 148,149 Insert Arrangements  
 Page 128 Performance Specifications  
 Page 147 Insert Availability and Contact Information  
 Page 143 Polarization

Shell Size	Ø A		Ø B		Ø C		D	E
	+0.005	<b>+1.13</b>	Maximum		Maximum		Mating Thread	Accessory Thread
	-0.004	<b>-1.10</b>	inch	mm	inch	mm	Class 2B	Class 2A
8	.400	<b>10.16</b>	.305	<b>7.75</b>	.832	<b>21.13</b>	9/16-24UNEF	1/2-20UNF
10	.521	<b>13.23</b>	.405	<b>10.29</b>	.959	<b>24.36</b>	11/16-24UNEF	5/8-24UNEF
12	.691	<b>17.55</b>	.531	<b>13.49</b>	1.097	<b>27.86</b>	7/8-20UNEF	3/4-20UNEF
14	.760	<b>19.30</b>	.665	<b>16.89</b>	1.236	<b>31.39</b>	15/16-20UNEF	7/8-20UNEF
16	.887	<b>22.53</b>	.790	<b>20.07</b>	1.360	<b>34.54</b>	1-1/16-18UNEF	1-20UNEF
18	.993	<b>25.22</b>	.869	<b>22.07</b>	1.473	<b>37.41</b>	1-3/16-18UNEF	1-1/16-18UNEF
20	1.118	<b>28.40</b>	.994	<b>25.25</b>	1.586	<b>40.28</b>	1-5/16-18UNEF	1-3/16-18UNEF
22	1.243	<b>31.57</b>	1.119	<b>28.42</b>	1.703	<b>43.26</b>	1-7/16-18UNEF	1-5/16-18UNEF
24	1.368	<b>34.75</b>	1.244	<b>31.60</b>	1.846	<b>46.89</b>	1-9/16-18UNEF	1-7/16-18UNEF
28	1.618	<b>41.10</b>	1.475	<b>37.47</b>	2.278	<b>57.86</b>	1-13/16-16UN	1-3/4-18UNS

83723 S III