

Crydom

See full Datasheet below...

onlinecomponents.com
THE ONLINE DISTRIBUTOR OF ELECTRONIC COMPONENTS

BUY NOW

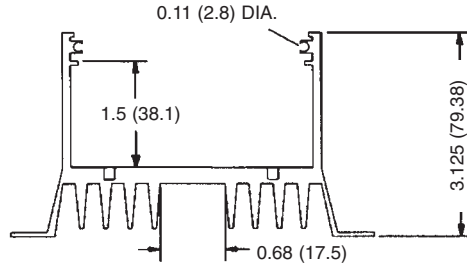
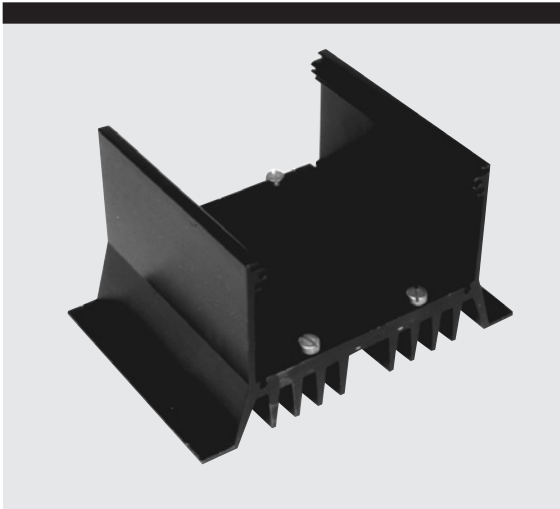
 **MASTER**TM
E L E C T R O N I C S

BUY NOW

masterelectronics.com & onlinecomponents.com
are **authorized** e-commerce distributors
of electronic components.

SOLID STATE RELAY ACCESSORIES

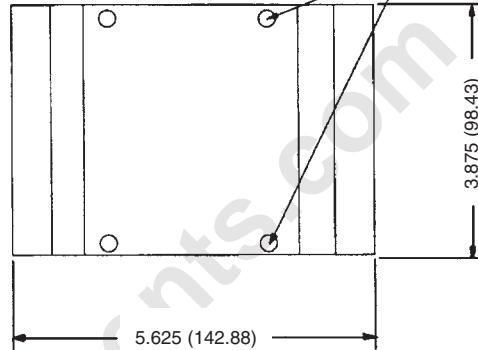
HS1 HEATSINK



DIMENSIONS: inches (mm)

TOLERANCES: ±0.02 inches (±0.50)

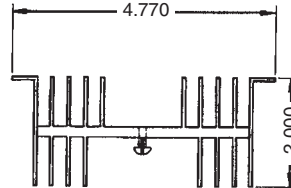
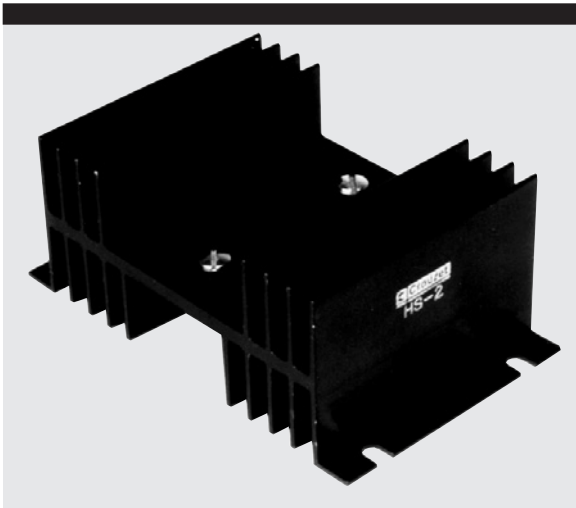
MOUNTING HOLES
FOR 4MM SCREW (4)



ORDERING INFORMATION:

Model #	Description
HS1	Heatsink 1.5°C/W (For GA0 & GA3 Series SSR's)

HS2 HEATSINK

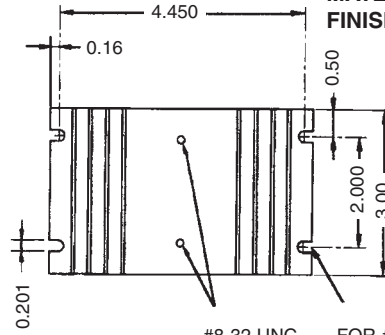


DIMENSIONS: inches

TOLERANCES: ±0.02 inches

MATERIAL: AISI 6063-T5 Aluminum

FINISH: Black Anodized



FOR #8-32
SCREWS 4
PLACES

ORDERING INFORMATION:

Model #	Description
HS2	Heatsink 2.0°C/W (For Single Phase SSR's)

Products and specifications subject to change without notice.

Consult factory for application assistance.