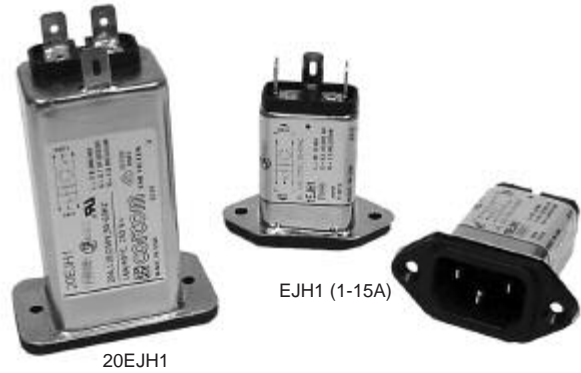


Enhanced Performance Compact Medical RFI Filter IEC Connector Package

EJH Series



UL Recognized
CSA Certified
VDE Approved*



EJH Series

The new EJH series is the next generation of medical power inlet filters. The 1-15 amp versions are flange mounted and mechanically equivalent to the EAH/EBH series. The performance has been enhanced to meet the needs for more attenuation. The EJH also has an extended metal flange around the socket for improved high frequency EMI shielding as well as a larger contact area for the panel ground. These medical filters are designed to provide common and differential mode performance while maintaining the UL leakage requirements for medical and dental equipment.

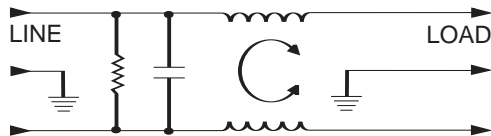
The EJH series also includes a 20 amp version that uses the inlet IEC 320/C20. This product was designed to keep up with the demand for higher current equipment. Applications include higher current power supplies and computing equipment, which consist of work stations, base stations, servers, etc.

Additional information on UL544 specification is listed in Appendix C.

Note: When using the models with an IEC connector, remember that the leakage current of the companion line cord, GA400, is more significant than that of the filter - which may disqualify this line cord from use in patient care applications.

*15EJH - VDE rated at 10 amps, 250 VAC
20EJH - VDE rated at 16 amps, 250 VAC

Electrical Schematic



Resistor location for reference only.

Specifications

Maximum leakage current, each line-to-ground	
@ 120 VAC 60 Hz:	2μA
@ 250 VAC 50 Hz:	5μA
Hipot rating (one minute):	
line-to-ground	1500 VAC
line-to-line	1450 VDC
Operating frequency:	50/60 Hz
Rated voltage (max.):	250 VAC
Minimum insertion loss in dB:	
Line-to-ground in 50 ohm circuit	

Current Rating	Frequency-MHz								
	.01	.05	.1	.15	.5	1	5	10	30
1A	13	26	33	36	41	41	31	26	18
3A	-	9	15	19	27	31	30	26	20
6A	-	2	6	9	20	22	31	20	18
10A	-	1	4	7	12	17	19	18	18
15A	-	-	1	2	3	3	4	2	2
20A	-	-	3	5	14	16	12	11	11

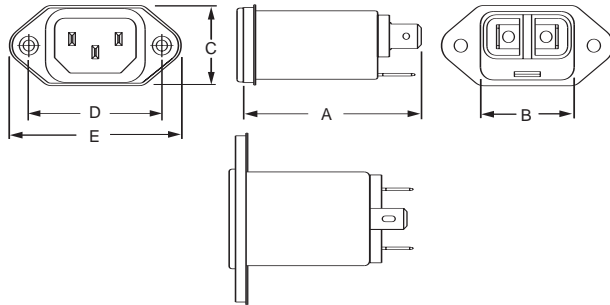
Line-to-line in 50 ohm circuit

Current Rating	Frequency-MHz								
	.01	.05	.1	.15	.5	1	5	10	30
1A	-	-	5	8	19	27	45	36	32
3A	-	-	5	8	17	23	31	32	30
6A	-	-	5	8	17	21	32	30	28
10A	-	-	5	8	17	22	32	30	30
15A	-	-	5	8	17	23	36	38	40
20A	-	-	5	8	19	24	35	33	28

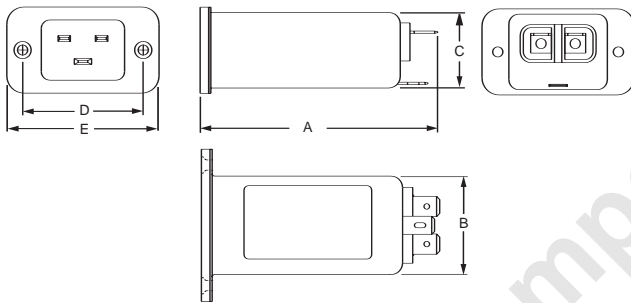
EJH Series

Case Styles

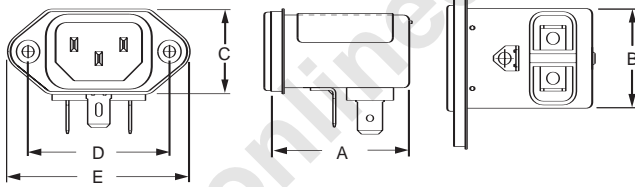
EJH1 (1-15 amp versions)



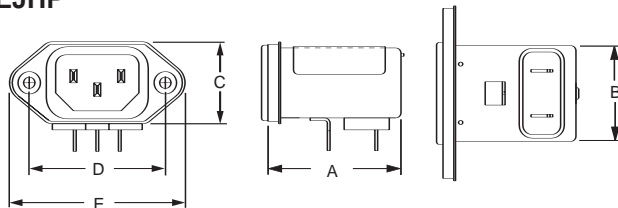
20EJH1



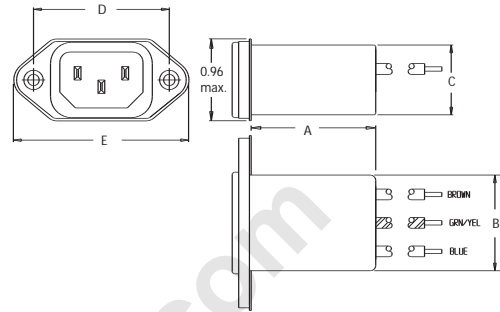
EJH2



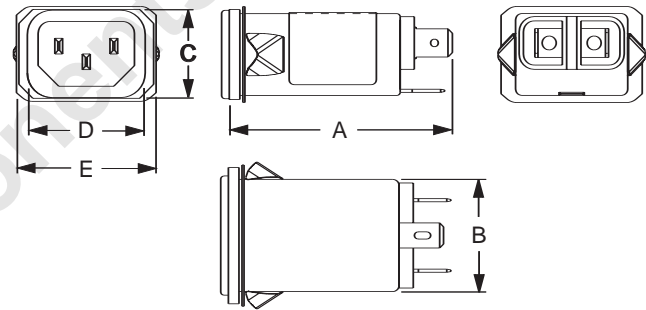
EJHP



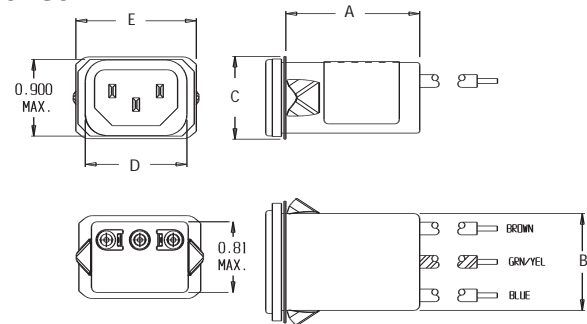
EJH8



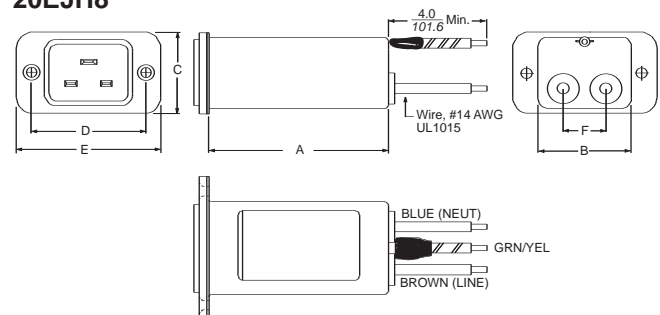
EJHS1



EJHS8



20EJH8



Enhanced Performance Compact Medical RFI Filter IEC Connector Package (Continued)

EJH Series

Case Dimensions

Part No.	A (max)	B (max)	C (max)	D $\frac{\pm .015}{\pm .38}$	E (max)	F (ref)
1EJH1, 3EJH1, 6EJH1, 10EJH1, 15EJH1	2.15 <i>54.61</i>	1.13 <i>28.70</i>	0.96 <i>24.38</i>	1.58 <i>40.00</i>	2.04 <i>51.76</i>	—
20EJH1	3.13 <i>79.38</i>	1.37 <i>34.79</i>	1.18 <i>29.99</i>	1.65 <i>42.01</i>	2.09 <i>53.00</i>	—
1EJH2, 3EJH2, 6EJH2, 10EJH2	1.54 <i>39.12</i>	1.13 <i>28.70</i>	0.96 <i>24.38</i>	1.58 <i>40.00</i>	2.04 <i>51.76</i>	—
15EJH2	1.79 <i>45.47</i>	1.13 <i>28.70</i>	0.96 <i>24.38</i>	1.58 <i>40.00</i>	2.04 <i>51.76</i>	—
1EJHP, 3EJHP, 6EJHP, 10EJHP	1.54 <i>39.12</i>	1.13 <i>28.70</i>	0.96 <i>24.38</i>	1.58 <i>40.00</i>	2.04 <i>51.76</i>	—
15EJHP	1.79 <i>45.47</i>	1.13 <i>28.70</i>	0.96 <i>24.38</i>	1.58 <i>40.00</i>	2.04 <i>51.76</i>	—
1EJH8, 3EJH8, 6EJH8, 10EJH8, 15EJH8	1.54 <i>39.12</i>	1.13 <i>28.70</i>	0.81 <i>20.57</i>	1.58 <i>40.00</i>	2.04 <i>51.76</i>	—
1EJHS1, 3EJHS1	2.20 <i>55.88</i>	1.10 <i>27.94</i>	0.96 <i>24.30</i>	1.19 <i>30.10</i>	1.41 <i>35.81</i>	—
10EJHS1	2.20 <i>55.88</i>	1.10 <i>27.94</i>	0.96 <i>24.30</i>	1.19 <i>30.10</i>	1.41 <i>35.81</i>	—
15EJHS1	2.20 <i>55.88</i>	1.10 <i>27.94</i>	0.96 <i>24.30</i>	1.19 <i>30.10</i>	1.41 <i>35.81</i>	—
1EJHS8, 3EJHS8	1.54 <i>39.12</i>	1.10 <i>27.94</i>	0.96 <i>24.30</i>	1.19 <i>30.10</i>	1.41 <i>35.81</i>	—
6EJHS8	1.54 <i>39.12</i>	1.10 <i>27.94</i>	0.96 <i>24.30</i>	1.19 <i>30.10</i>	1.41 <i>35.81</i>	—
10EJHS8	1.54 <i>39.12</i>	1.10 <i>27.94</i>	0.96 <i>24.30</i>	1.19 <i>30.10</i>	1.41 <i>35.81</i>	—
15EJHS8	1.54 <i>39.12</i>	1.10 <i>27.94</i>	0.96 <i>24.30</i>	1.19 <i>30.10</i>	1.41 <i>35.81</i>	—
20EJH8	2.65 <i>67.31</i>	1.35 <i>34.29</i>	1.18 <i>29.99</i>	1.65 <i>42.01</i>	2.09 <i>53.00</i>	.62 <i>15.75</i>

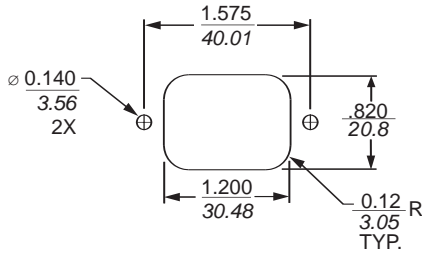
Part Numbers

1EJH1	10EJH1
1EJH2	10EJH2
1EJHP	10EJHP
1EJH8	10EJH8
1EJHS1	10EJHS1
1EJHS8	10EJHS8
3EJH1	15EJH1
3EJH2	15EJH2
3EJHP	15EJHP
3EJH8	15EJH8
3EJHS1	15EJHS1
3EJHS8	15EJHS8
6EJH1	20EJH1*
6EJH2	20EJH2*
6EJHP	
6EJH8	
6EJHS1	
6EJHS8	
Line Cord No. (1-15A)	GA400
Insulating Boot (1-15A)	FA601

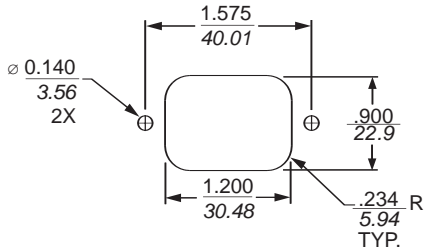
*UL, CSA — 20 Amp; VDE — 16 Amp

EJH Series

Recommended Panel Cutouts 1 to 15A EJH

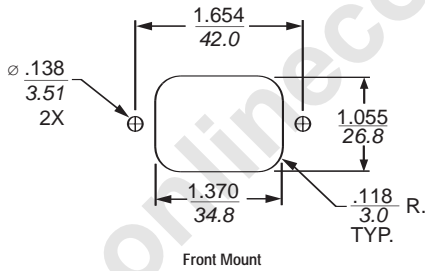


Front Mount

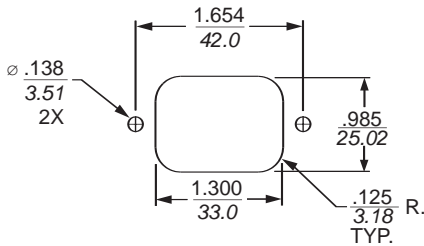


Back Mount

20EJH



Front Mount



Back Mount

Notes:

- 1 Tolerance $\pm .005$ [0.13]
- 2 Panel Thickness .031-.047 [.78-1.19]
- 3 EJH1 and EJH8 styles allow for front or back mounting
- 4 EJH2 and EJHP allow for back mounting only

EJHP PCB Layout

