

# L Series

**Power Entry Modules  
with RFI Power Line Filter  
for General or Medical Applications**



**UL Recognized  
CSA Certified  
VDE Approved  
SEV Approved**



EDL1S/EHL1S



EDL4C/EHL4C

## L Series

The L series power entry modules are compact units that combine a multi-function power entry module and high performance RFI filtering capabilities. They are available with either a four-voltage selector or a DPST on/off switch. Both variations can be specified with North American or European fusing capabilities and are available in either flange or snap-in mounting.

These filters are UL recognized, CSA certified, and VDE and SEV approved. The L series modules offer a choice of filters for general or medical applications.

## EDL Models

The RFI filter is for general purpose applications where line-to-line and line-to-ground noise must be controlled. The filter is designed to meet the very low leakage requirements of SEV and VDE portable equipment. They are available in three current ratings.

**EHL Models** – This medical filter provides susceptibility protection without the leakage current associated with line-to-ground capacitors. Designed to allow equipment to meet UL544 for patient care and nonpatient care equipment, the EHL filter has a maximum leakage current of 2  $\mu$ A at 120 VAC 60 Hz. See Appendix C for more information on medical applications and UL standards.

## Unfiltered

Part Number	Current Rating @120VAC (Amps)	Current Rating @250VAC (Amps)	Available Voltage Selection Position	DPST On/Off Switch	Mounting Style	Fuseholder Type
6EL1S	6	6	1	•	Flange	North American
6EL1SC	6	6	1	•	Snap-in	North American
6EL1SM	6	6	1	•	Flange	Metric
6EL1SCM	6	6	1	•	Snap-in	Metric
6EL4	6	6	4	–	Flange	North American
6EL4C	6	6	4	–	Snap-in	North American
6EL4M	6	6	4	–	Flange	Metric
6EL4CM	6	6	4	–	Snap-in	Metric

- Includes DPST switch

Consult your local Corcom sales representative for pricing.

# Series L

## Filtered Models

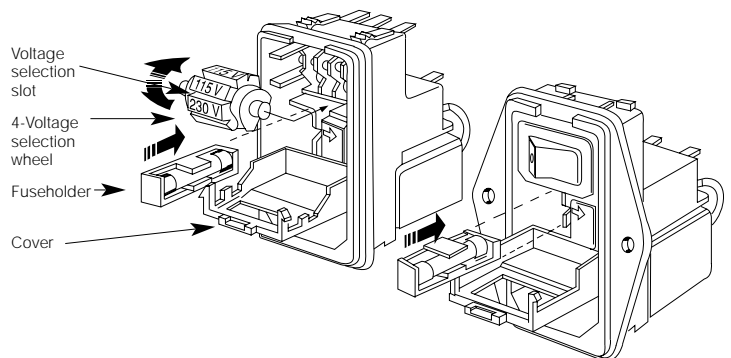
Part Number	RFI Filter Type†	Current Rating @ 120VAC (Amps)	Current Rating @ 250VAC (Amps)	Available Voltage Selection Position	DPST On/Off Switch	Mounting Style	Fuseholder Type
2EDL1S	Linear	2	2	1	•	Flange	North American
2EDL1SC	Linear	2	2	1	•	Snap-in	North American
2EDL1SM	Linear	2	2	1	•	Flange	Metric
2EDL1SCM	Linear	2	2	1	•	Snap-in	Metric
2EDL4	Linear	2	2	4	–	Flange	North American
2EDL4C	Linear	2	2	4	–	Snap-in	North American
2EDL4M	Linear	2	2	4	–	Flange	Metric
2EDL4CM	Linear	2	2	4	–	Snap-in	Metric
4EDL1S	Linear	4	4	1	•	Flange	North American
4EDL1SC	Linear	4	4	1	•	Snap-in	North American
4EDL1SM	Linear	4	4	1	•	Flange	Metric
4EDL1SCM	Linear	4	4	1	•	Snap-in	Metric
4EDL4	Linear	4	4	4	–	Flange	North American
4EDL4C	Linear	4	4	4	–	Snap-in	North American
4EDL4M	Linear	4	4	4	–	Flange	Metric
4EDL4CM	Linear	4	4	4	–	Snap-in	Metric
6EDL1S	Linear	6	6	1	•	Flange	North American
6EDL1SC	Linear	6	6	1	•	Snap-in	North American
6EDL1SM	Linear	6	6	1	•	Flange	Metric
6EDL1SCM	Linear	6	6	1	•	Snap-in	Metric
6EDL4	Linear	6	6	4	–	Flange	North American
6EDL4C	Linear	6	6	4	–	Snap-in	North American
6EDL4M	Linear	6	6	4	–	Flange	Metric
6EDL4CM	Linear	6	6	4	–	Snap-in	Metric
6EHL1S	Medical	6	6	1	•	Flange	North American
6EHL1SC	Medical	6	6	1	•	Snap-in	North American
6EHL1SM	Medical	6	6	1	•	Flange	Metric
6EHL1SCM	Medical	6	6	1	•	Snap-in	Metric
6EHL4	Medical	6	6	4	–	Flange	North American
6EHL4C	Medical	6	6	4	–	Snap-in	North American
6EHL4M	Medical	6	6	4	–	Flange	Metric
6EHL4CM	Medical	6	6	4	–	Snap-in	Metric

† Refer to catalog page 83 for more information on RFI filter types.

- Includes DPST switch
- Consult your local Corcom sales representative for pricing.

## Voltage Selection

To change selected voltage: disconnect the power cord; open cover using a small blade screwdriver or similar tool; insert the tool into the voltage selection slot and remove wheel from unit; select desired voltage; replace wheel into unit and close cover, *making sure the selected voltage appears in connector window.*



Note: All models have North American or dual European fusing capability and are available in either flange or snap-in mounting.

# L Series

## Specifications – Unfiltered

Rated current: 6 Amp @ 120 VAC  
6 Amp @ 250 VAC

Operating voltages:  
6EL1S & 6EL1SC Models–Fixed 100, 120, 200, 240 VAC  
6EL4 & 6EL4C Models–Selectable 100, 120, 220, 240 VAC

Operating frequency: 50/60 Hz

Rated voltage: 120/250 VAC

Switch: Double-insulated, rated for 10,000 operations at full load.  
(6EL1S & 6EL1SC models only) 51 Amp inrush capability.

Fuse (not included): Accepts one 1/4" x 1-1/4" fuse or two 5 x 20mm fuses

Terminals: .110" (2.79mm) terminals except for switch.  
.187" (4.8mm) terminals for switch.

## Specifications – Filtered

Maximum leakage current, each line-to-ground:  
@ 120 VAC 60 Hz: EDL Models 0.25 mA  
EHL Models 2 µA  
@ 250 VAC 50 Hz: EDL Models 0.50 mA  
EHL Models 5 µA

Hipot rating (one minute):  
line-to-ground EDL Models 1500 VAC  
EHL Models 1500 VAC  
line-to-line All Models 1450 VDC

Operating voltages:  
1S\_ & 1SC\_ Models – Fixed 100, 120, 220, 240 VAC  
4\_ & 4C\_ Models – Selectable 100, 120, 220, 240 VAC

Operating frequency: 50/60 Hz

Rated voltage: 120/250 VAC

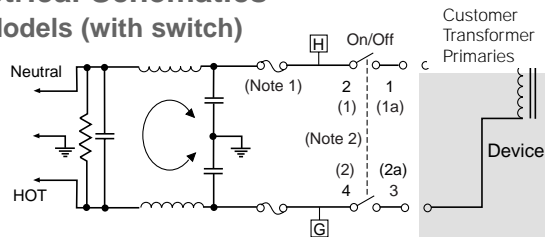
Switch: Double-insulated, rated for 10,000 operations at full load.  
(1S\_ & 1SC\_ models only) 51 Amp inrush capability.

Fuse (not included): Accepts one 1/4" x 1-1/4" fuse or two 5 x 20mm fuses

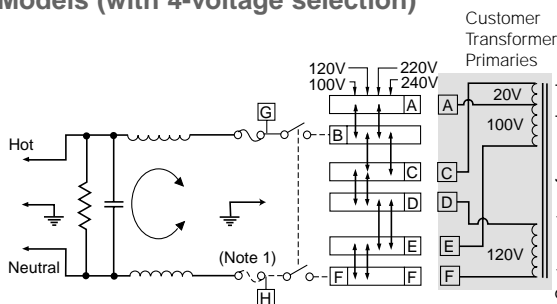
Terminals: .110" (2.79mm) terminals except for switch.  
.187" (4.8mm) terminals for switch.

## Electrical Schematics

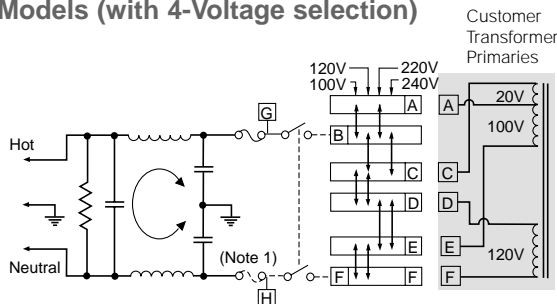
### DL Models (with switch)



### HL Models (with 4-voltage selection)



### DL Models (with 4-Voltage selection)



Resistor location for reference only.

NOTES: Note 1: Provision for dual European style fusing.  
Note 2: On/Off switch present only with \*S\* suffix.

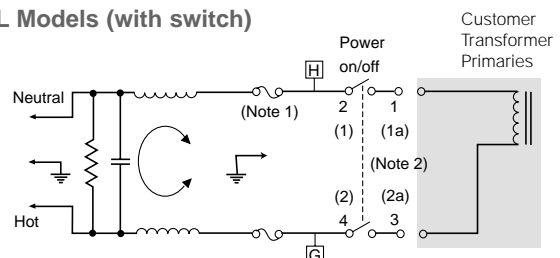
**Minimum insertion loss in dB:**  
Line-to-ground in 50 ohm circuit

Frequency MHz	EDL 2A	EDL 4A	EDL 6A	EHL 6A
.05	6	2	1	3
.15	14	8	6	8
1	24	18	17	15
5	40	32	31	18
10	45	38	37	18
30	50	45	45	18

Line-to-line in 50 ohm circuit

Frequency MHz	EDL 2A	EDL 4A	EDL 6A	EHL 6A
.15	7	6	6	4
.5	16	15	15	14
1	21	18	20	20
3	23	23	25	28
5	37	26	25	32
10	47	45	45	38
30	50	47	50	42

### HL Models (with switch)

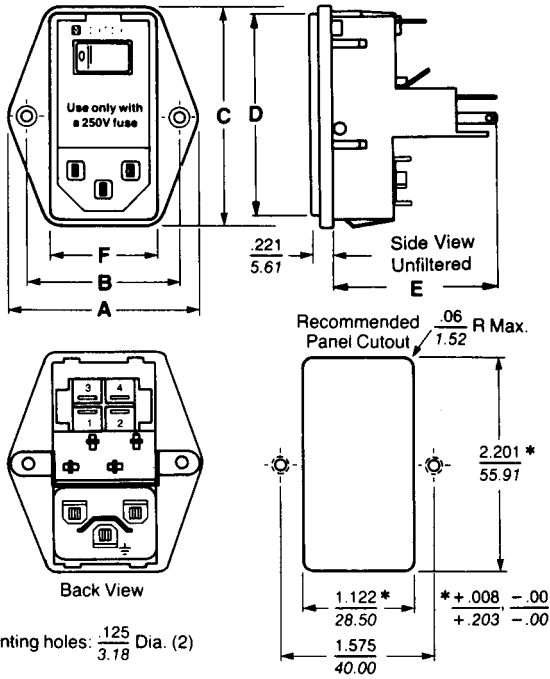


# Series L

## Case Styles – Unfiltered Models

Metric shown in italics.

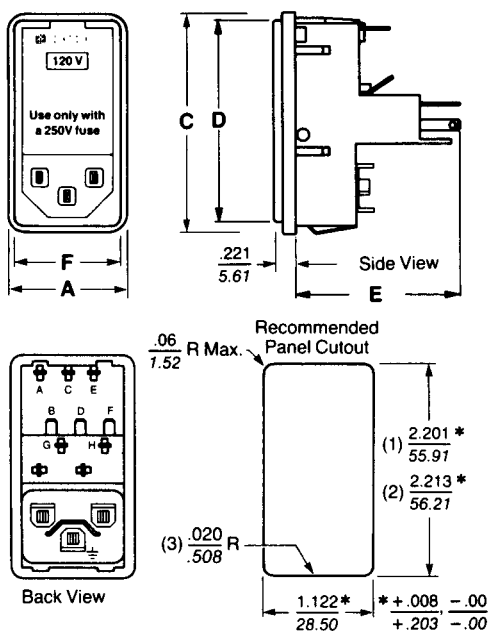
### Flange Models



All backplate terminals:  $\frac{.110}{2.79}$  terminals, except for switch. Switch terminals are  $\frac{.187}{4.75}$ .

Note: Snap-in models allow front mounting only.

### Snap-In Models



- (1) For panel thickness of .031-.079 (0.8-2.0)
- (2) For panel thickness of .083-.126 (2.1-3.2)
- (3) For snap-in application, the 1.22 (28.5) sides of the cutout must have a .02 (.508) radius on the installation side.

All backplate terminals:  $\frac{.110}{2.79}$  terminals, except for switch. Switch terminals are  $\frac{.187}{4.75}$ .

Note: Snap-in models allow front mounting only.

## Case Dimensions

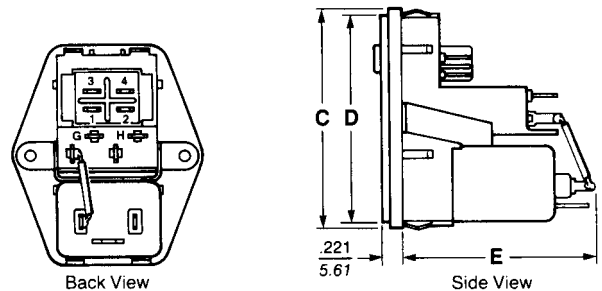
Metric shown in italics.

Part No.	A (max)	B $\pm .015$ $\pm .038$	C (max)	D (max)	E (max)	F (max)
FLANGE UNFILTERED	1.98 50.29	1.575 40.0	2.3 58.42	2.14 54.36	1.66 42.16	1.11 28.19
SNAP-IN UNFILTERED	1.28 32.51	—	2.3 58.42	2.14 54.36	1.66 42.16	1.11 28.19
FLANGE FILTERED	1.98 50.29	1.575 40.0	2.3 58.42	2.14 54.36	2.01 51.05	1.11 28.19
SNAP-IN FILTERED	1.28 32.51	—	2.3 58.42	2.14 54.36	2.01 51.05	1.11 28.19

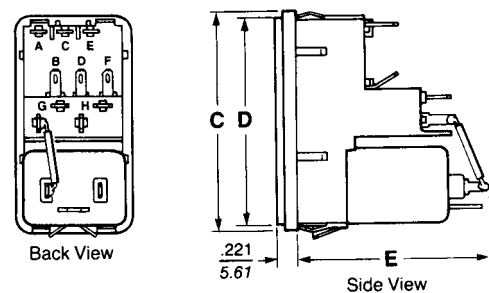
## Case Styles – Filtered Models

Metric shown in italics.

### Flange Models



### Snap-In Models



Metric fuse models have additional jumper from filter to module.