

# J Series

Voltage Selecting and Fused Connector with Optional RFI Power Line Filter for General Purpose Applications or UL544 Health Care Equipment



UL Recognized  
CSA Certified



Front View  
All Models

## J Series

The most widely accepted of all the power entry modules, the J series combines an IEC connector, 2-voltage, or 4-voltage selection, and a North American fuseholder. It features a compact snap-in design and a unique voltage selector card. The unit is available unfiltered or with two filtering options:

**J4 Models** – This general purpose filter provides susceptibility protection from line-to-ground noise on the power line and acts as a high frequency “clean-up” filter for more complex emissions applications.

## HJ4 Models

This medical filter provides susceptibility protection without the leakage current associated with line-to-ground capacitors. Designed to allow equipment to meet UL544 medical specifications for patient care and nonpatient care equipment, the HJ filter has a maximum leakage current of 2µA at 120 VAC 60 Hz. See Appendix C for more information on medical applications and UL standards.

Equipment rating labels and mounting clips for thicker panel widths are available as accessories.

### Unfiltered

Part Number	Current Rating @120VAC (Amps)	Available Voltage Selection Position	Maximum Leakage Current Line-to-Ground @250VAC	Fuseholder Type
6VJ1	6	4	5 µA	North American
6VJ1-2	6	2	5 µA	North American

### Filtered

Part Number	RFI Filter Type	Current Rating @120VAC (Amps)	Available Voltage Selection Position	Maximum Leakage Current Line-to-Ground @250VAC	Fuseholder Type
6J4	General Purpose <sup>1</sup>	6	4	500 µA	North American
6J4-2	General Purpose <sup>1</sup>	6	2	500 µA	North American
6HJ4-4	Medical <sup>2</sup>	6	4	5 µA	North American
6HJ4-2	Medical <sup>2</sup>	6	2	5 µA	North American

Consult your local Corcom sales representative for pricing.

<sup>1</sup> General purpose filter for susceptibility applications.

<sup>2</sup> Medical line filter for very low leakage UL544 health care requirements.

Refer to catalog page 83 for more information on available RFI filter types.

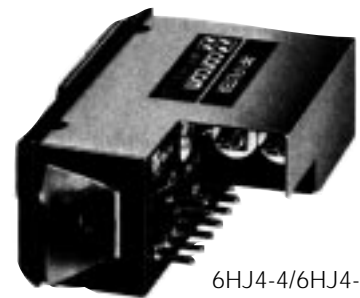
# Series J



6VJ1/6VJ1-2  
Terminal View



6J4/6J4-2  
Terminal View



6HJ4-4/6HJ4-2  
Terminal View

## Specifications – Unfiltered Models

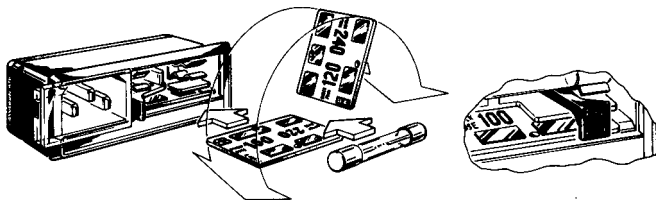
Hipot rating (one minute):		
line-to-ground		1550 VAC
line-to-line		1450 VDC
Operating voltages:	6VJ1	100, 120, 220, 240 VAC
	6VJ1-2	115, 230 VAC
Operating frequency:		50/60 Hz
Rated current:		6A
Power connector:	Meets UL/IEC requirements specs. per CEE Publication 22 Type VI	
Fuse (not included):	Integral fuseholder, line side, accepts .25" x 1.25" fuse	
Terminals:	Connector block terminals .045" square, suitable for soldering, wire wrapping, or crimp-on lugs	
Net weight:		1.4 oz.

## Specifications – Filtered Models

Hipot rating (one minute):			
line-to-ground	6J4/6J4-2		2250 VDC
line-to-line	6HJ4-4/6HJ4-2		1450 VDC
Operating voltages:	6J4/6HJ4-4	100, 120, 220, 240 VAC	
	6J4-2/6HJ4-2	115, 230 VAC	
Operating frequency:			50/60 Hz
Rated current:			6A
Power connector:	Meets UL/IEC requirements specs. per CEE Publication 22 Type VI		
Fuse (not included):	Integral fuseholder, line side, accepts .25" x 1.25" fuse		
Terminals:	Connector block terminals .045" square, suitable for soldering, wire wrapping, or crimp-on lugs		
Net weight:			2.8 oz.

## Voltage Selection

### Unfiltered and Filtered Models



Open cover door and rotate fuse-pull lever to left. Select operating voltage by orienting voltage selection card, desired voltage on top left side. Push card firmly into module slot. Rotate fuse-pull lever back into normal position and re-insert fuse into holders. Use caution in selecting correct fuse value.

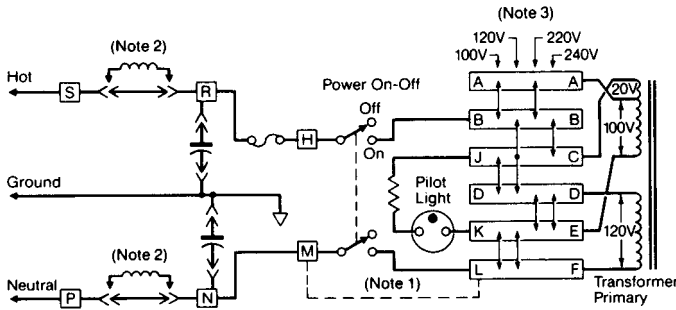
### Minimum insertion loss in dB:

Line-to-ground in 50 ohm circuit

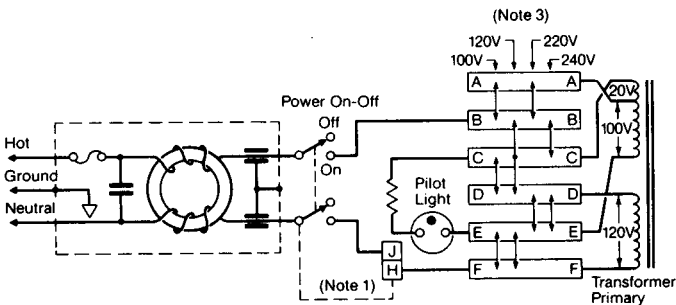
Current Rating	Frequency-MHz						
	.15	.5	1	5	10	20	30
<b>J4 Models</b>							
6A	9	20	25	41	45	45	48
<b>HJ4 Models</b>							
6A	9	11	15	19	13	12	10

# J Series

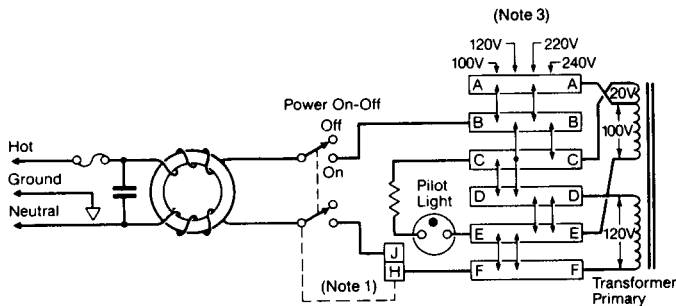
## Electrical Schematics Unfiltered 6VJ & 6VJ1-2



## Filtered 6J4 & 6J4-2



## Filtered 6HJ4-4 & 6HJ4-2



- Note 1: Jumper required if only SPST power switch is used.  
 Note 2: Jumpers required if no input filtering is used.  
 Note 3: Use only 120V and 240V positions for 2-volt selection units.

## Case Dimensions

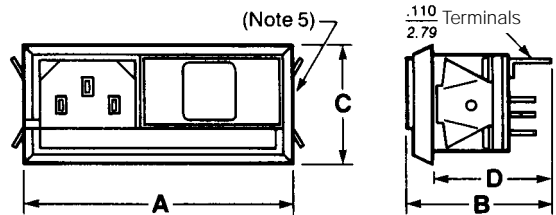
Metric shown in italics.

Part No.	A (max)	B (max)	C (max)	D (max)
<b>Unfiltered</b>				
6VJ1/6VJ1-2	<i>2.68</i> <i>68.1</i>	<i>1.52</i> <i>38.6</i>	<i>1.17</i> <i>29.7</i>	<i>1.23</i> <i>31.2</i>
<b>Filtered</b>				
6J4/6J4-2	<i>2.75</i> <i>69.9</i>	<i>1.87</i> <i>47.5</i>	<i>1.17</i> <i>29.7</i>	<i>1.58</i> <i>40.1</i>
6HJ4-4/6HJ4-2	<i>2.75</i> <i>69.9</i>	<i>1.87</i> <i>47.5</i>	<i>1.17</i> <i>29.7</i>	<i>1.58</i> <i>40.1</i>

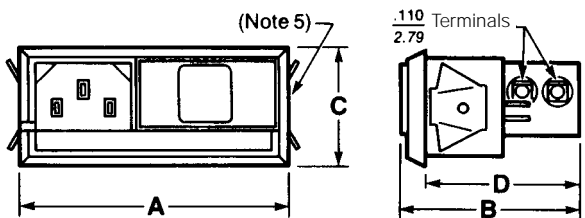
## Case Styles

Metric shown in italics.

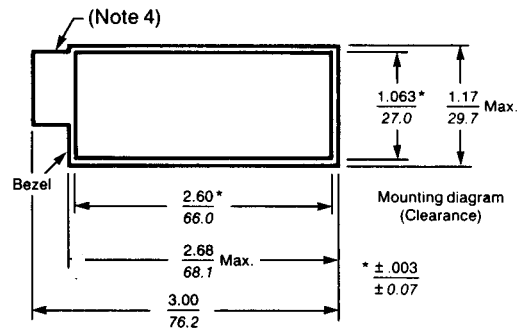
### Unfiltered Models



### Filtered Models



## Recommended Panel Cutout Unfiltered and Filtered Models

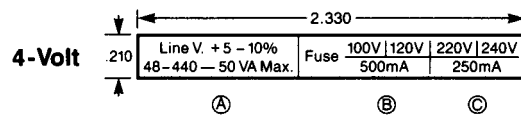


- Note 4: Fuse cover door shown in open condition.  
 Note 5: Standard units mount in panel thickness of .060 - .090." Special mounting clips sold separately for panel thicknesses of .105-.125." See Accessories List on next page.

# Series J

## Equipment Rating Labels Unfiltered and Filtered Models

Self-adhesive labels, as shown below, are available in multiples of 40. Specify Part Number.



Part Number	A	B	C
	VA Max.	Fuse 100/120 (115)	Fuse 220/240 (230)
JA410	25	250 mA	125 mA
JA411	50	500 mA	250 mA
JA412	100	1A	500 mA
JA413	200	2A	1A
JA414	250	2.5A	1.25A
JA415	300	3A	1.5A
JA416	400	4A	2A
JA417	500	5A	2.5A
JA418	600	6A	3A
JA419	Assortment		

Labels – 40 of one part number

Labels – 5 each of 8 part numbers for 4-volt

## Accessories

### Unfiltered and Filtered Models

#### Part No.

Line Cord No. GA400:  
(7 1/2 foot, 3-conductor line cord to mate with J series)

JA302, 2 Voltage Selector Card  
(comes standard with 6VJ1-2, 6J4-2, 6HJ4-2)

JA304, 4 Voltage Selector Card  
(comes standard with 6VJ1, 6J4, 6HJ4-4)

JA403, Mounting Clips for .105-.125" Panel

JA500, Voltage Selector Card Extractor Tool

Consult your local Corcom sales representative for pricing.