

EBF Series

Accessory Outlet Filter



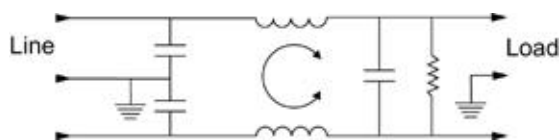
UL Recognized
CSA Certified
VDE Approved
SEMKO Approved*

EBF Series

The EBF accessory outlet filters provide an innovative means of connecting accessories while filtering noise between a system and the accessories attached. These filters provide enhanced performance utilizing common mode inductance and differential mode capacitance for attenuation of noise across the frequency range.

The filtered connector offers the additional advantage of a grounded connection and features low leakage current required for international usage.

Electrical Schematic



Resistor location for reference only.



Specifications

Maximum leakage current, each
line-to-ground @ 120 VAC 60 Hz: .25 mA
@ 250 VAC 50 Hz: .50 mA

Hipot rating (one minute):
line-to-ground 1500 VAC
line-to-line 1450 VDC

Operating frequency: 50/60 Hz

Rated voltage: 120/250 VAC

Minimum insertion loss in dB:
Line-to-ground in 50 ohm circuit

Current Rating	Frequency-MHz						
	.05	.15	.5	1	5	10	30
1A	23	32	41	47	47	47	40
3A	10	19	30	36	48	50	47
6A	1	10	22	28	42	48	47
10A	1	5	14	20	32	38	47

Line-to-line in 50 ohm circuit

Current Rating	Frequency-MHz						
	.15	.5	1	3	5	10	30
1A	3	14	23	41	47	50	44
3A	2	11	14	25	38	44	40
6A	2	10	14	20	33	42	40
10A	2	10	16	19	19	39	40

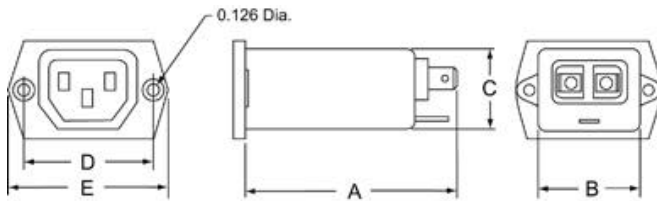
* Except 10A models

Series EBF

Case Styles

Metric shown in italics.

EBF1

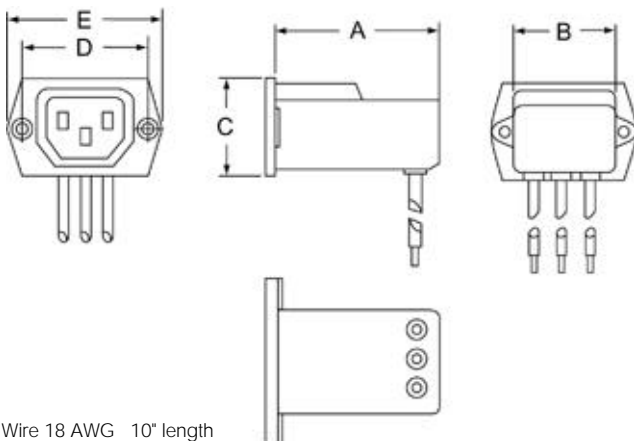


Typical dimensions

Terminals: $\frac{.250}{6.35}$ (3) Holes: $\frac{.07}{1.8}$ Dia.(2) Slot: $\frac{.07 \times .16}{1.8 \times 4.1}$

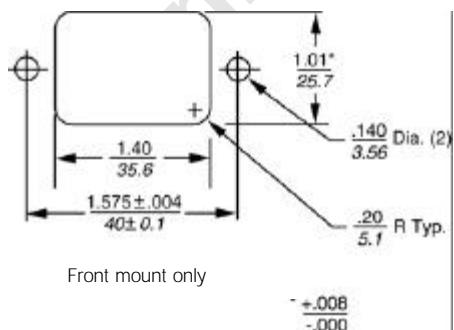
Mounting holes: $\frac{.132}{3.35}$ Dia.(2) with $.250$ Dia. x 90° countersunk for #4 Flathead Screw

EBF4



Wire 18 AWG 10" length

Recommended Panel Cutouts



Case Dimensions

Metric shown in italics.

Part No.	A (max)	B (max)	C (max)	D $\frac{.010}{.25}$	E (max)
EBF1	$\frac{2.57}{65.3}$	$\frac{1.33}{33.8}$	$\frac{1.0}{25.4}$	$\frac{1.575}{40.01}$	$\frac{1.99}{50.5}$
EBF4	$\frac{2.09}{53.01}$	$\frac{1.39}{35.31}$	$\frac{1.16}{29.46}$	$\frac{1.575}{40.01}$	$\frac{1.99}{50.5}$

Pricing

Consult your local Corcom sales representative for pricing.

Part No.	Part No.
1EBF1	1EBF4
3EBF1	3EBF4
6EBF1	6EBF4
10EBF1	10EBF4

Line Cord No. GA400