

INCH-POUND

MIL-PRF-83726/31K  
18 January 2018  
SUPERSEDING  
MIL-PRF-83726/31J  
27 February 2013

PERFORMANCE SPECIFICATION SHEET

RELAY, HYBRID, TIME DELAY (ON RELEASE), CLASS B, TYPE IIA,  
HERMETICALLY SEALED, DPDT, 10 AMPERES, ADJUSTABLE TIME  
DELAY (EXTERNAL RESISTOR), 0.1 TO 500 SECONDS

This specification is approved for use by all Departments  
and Agencies of the Department of Defense.

The requirements for acquiring the product described herein shall  
consist of this specification sheet and [MIL-PRF-83726](#).

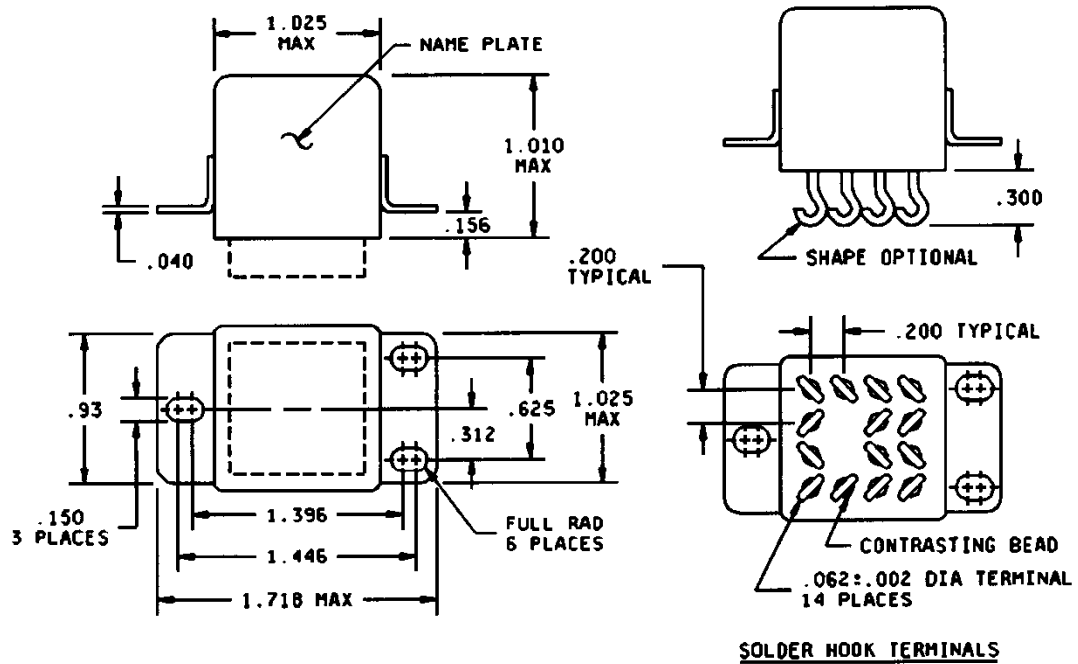


FIGURE 1. Outline dimensions and configuration of relay.



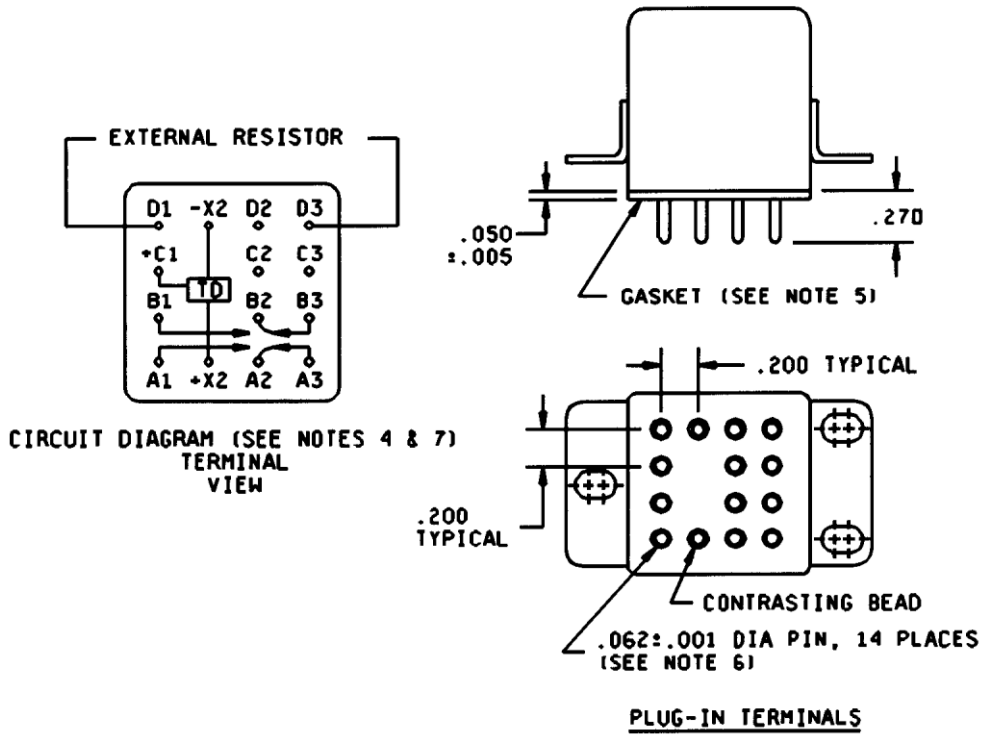
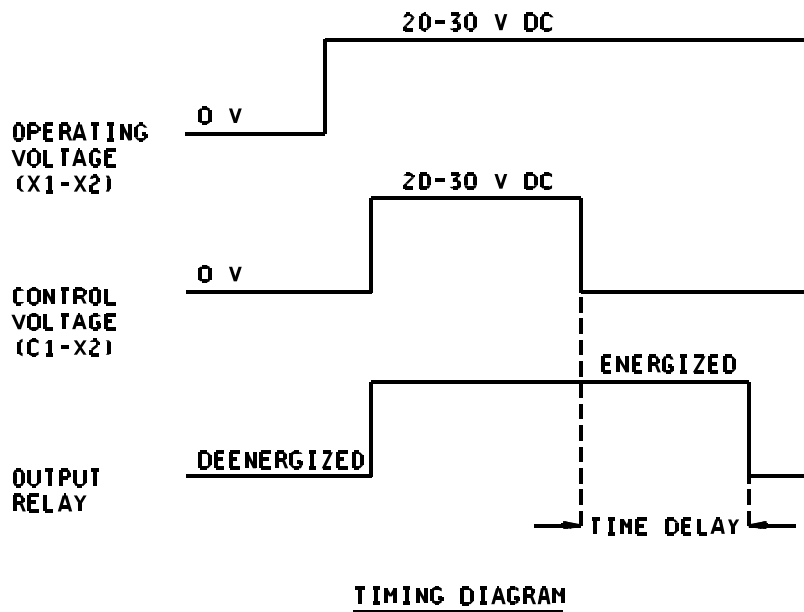


FIGURE 1. Outline dimensions and configuration of relay – Continued.



MIL-PRF-83726/31K

Inches	mm	Inches	mm
.001	0.03	.300	7.62
.002	0.05	.312	7.92
.005	0.13	.625	15.88
.040	1.02	.930	23.62
.050	1.27	1.010	25.65
.062	1.57	1.025	26.04
.150	3.81	1.396	35.46
.156	3.96	1.446	33.73
.200	5.08	1.718	43.64

NOTES:

1. Dimensions are in inches.
2. Metric equivalents are given for general information only.
3. Unless otherwise specified, tolerance is  $\pm 0.010$  (0.25 mm) for three place decimals and  $\pm .03$  (0.76 mm) for two place decimals.
4. Terminal numbers shall not appear on the relay header and there shall be a legible circuit diagram on relay which identifies each terminal location specified.
5. Gasket material: The gasket material shall be of such quality to ensure the relay meets all the performance requirements of this specification. Silicone rubber gasket [SAE-AMS3332](#), shore hardness  $20 \pm 5$  has been considered acceptable.
6. Terminal composition: The terminal composition shall be of such quality to ensure the relay meets all the performance requirements of this specification. Gold in accordance with [SAE-AMS2422](#) or [ASTM B488](#), Type 3; underplating: nickel, 50 microinches to 150 microinches thick; has been considered acceptable.
7. External resistor: In accordance with MIL-PRF-55182 (RNC60HXXXXFS), is selected as follows:  
 $R_{EXT} = ((T_1/T_0) - 1) 100k$   
 $T_0 =$  Minimum time  
 $T_1 =$  Required time  
 $T_1 \leq 10 T_0$
8. Terminal C2 is optional.

FIGURE 1. Outline dimensions and configuration of relay – Continued.

MIL-PRF-83726/31K

REQUIREMENTS:

OPERATING REQUIREMENTS:

Timing action: Delay-on-release.

Time delay: Adjustable; select from 0.1 second to 500 seconds.

Timing accuracy: ±10 percent of nominal value. (The accuracy requirement applies for any combination of operating temperature and voltage. External resistors shall be in accordance with [MIL-R-10509](#), characteristic C or equivalent. Add ±10 ms for timing less than 1 second.)

Recycle time: 50 milliseconds maximum. (Recycle time is defined as the minimum time that power must be removed from the input terminals to assure that the next timing cycle will be completed within the specified timing tolerance. (Units can be recycled during timing or after time-out.))

Power interrupt: 500 microseconds. (Transient and power loss specifications are based on a maximum duty cycle of 1/50.)

Extraneous voltage: 7 V dc minimum.

Control voltage: 20 V dc to 30 V dc.

Control current: 15 milliamperes maximum at 25°C.

Operating current: 150 mA maximum at 25°C.

INPUT REQUIREMENTS:

Input voltage range: 20 V dc to 30 V dc. (EMI test limits will not be exceeded during the timing interval or when continuously energized under steady-state conditions in accordance with the EMI test of [MIL-PRF-83726](#).)

Duty rating: Continuous.

Current drain: (quiescent): 5 milliamperes maximum at 25°C.

Polarity protection: The timer shall be inoperative during, and undamaged by, reversal of the polarity of the operating voltage or control voltage.

OUTPUT REQUIREMENTS:

Configuration: DPDT.

Life: See [table I](#).

TABLE I. Life load ratings (relay case grounded).

Type of load	Life (cycles)	Amperes 28 V dc	Amperes 115/200 V ac 400 Hz
Resistive	100,000	10	10
Inductive	20,000	8	8
Motor	100,000	4	4
Lamp	100,000	2	2
Low level <sup>1/</sup>	100,000		---

<sup>1/</sup> Contact load 10 µA to 50 µA at 10 mV to 50 mV (dc or peak ac).

## MIL-PRF-83726/31K

### ELECTRICAL REQUIREMENTS:

Transients: +80 volts in accordance with [MIL-STD-704](#), figure 13.

Spike:

Self-generated: ±50 volts maximum.

Spike transients: ±600V, 10 microseconds maximum.

Susceptibility: + 80 V maximum; -600 V maximum.

Electromagnetic interference: In accordance with [MIL-STD-461](#) (methods CS101, CS114, RS101, and RS103) for PIN's with suffix letter W. (EMI test limits will not be exceeded during the timing interval or when continuously energized under steady-state conditions in accordance with the EMI test of [MIL-PRF-83726](#).)

Insulation resistance: 1,000 megohms at 500 V dc at sea level, and 100 V dc at 80,000 feet between each pin and case. (Terminals X1, X2, C1, D1, and D3 must be connected together during this test. Insulation resistance is measured between all mutually insulated terminals and between all terminals and case.)

Dielectric withstanding voltage: 1,000 V rms at 60 Hz at sea level, and 350 V rms at 80,000 feet between case and pins connected together. (Terminals X1, X2, C1, D1, and D3 must be connected together during this test. Dielectric withstanding voltage is measured between all mutually insulated terminals and between all terminals and case.)

### ENVIRONMENTAL REQUIREMENTS:

Ambient temperature (operating or nonoperating): -55°C to +125°C.

Vibration (sinusoidal): 30 g's, 10 Hz to 3,000 Hz

Vibration (random): 0.4 g<sup>2</sup>/Hz power spectral density, 50 Hz to 2,000 Hz in accordance with [MIL-STD-202-214](#), test condition 1G. Duration of 15 minutes each plane.

Shock (specified pulse): 100 g's, 6 ms ±1 ms, ½ sine, 3 axes.

Acceleration: 15 g's in any axis.

Seal: Hermetic.

Maximum altitude rating: 80,000 feet.

### PHYSICAL REQUIREMENTS:

Dimensions and configuration: See [figure 1](#).

Mating socket: M12883/40-01, M12883/40-05, M12883/40-07, M12883/40-11, M12883/40-13, M12883/40-17, M12883/40-19, or M12883/40-23 specified in [MIL-DTL-12883/40](#). (CAUTION: Consideration should be given to ambient temperature and current requirements when using wire barrels size 20.)

Terminations: See [figure 1](#).

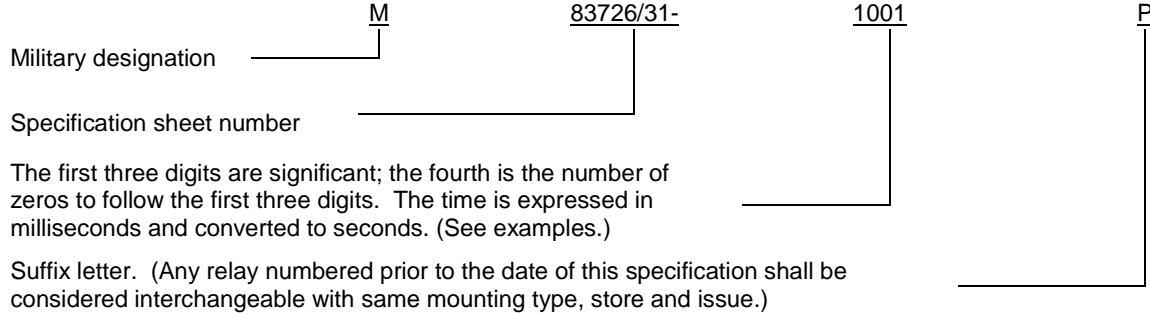
Terminal strength: 3 pounds pull.

Weight: 2.5 ounces maximum.

Marking: See [MIL-PRF-83726](#). In addition, relays shall be marked with the ESDS identifier as specified in [MIL-STD-1285](#).

MIL-PRF-83726/31K

Part or Identifying Number (PIN): Consists of the prefix M83726/31-, a four digit dash number (time delay expressed in milliseconds), and a suffix letter (P for plug-in; S for solder lug) as follows:



Examples:

- M83726/31-1001P – 0.1 to 1 second time delay, plug-in.
- M83726/31-9002S – 9 to 90 second time delay, solder lug.

NOTE: Time delay relays within the 0.1 second to 500 second delay range are available within a one-decade range. The PIN represents the upper timing limit of each range.

The margins of this specification are marked with vertical lines to indicate where changes from the previous issue were made. This was done as a convenience only and the Government assumes no liability whatsoever for any inaccuracies in these notations. Bidders and contractors are cautioned to evaluate the requirements of this document based on the entire content irrespective of the marginal notations and relationship to the previous issue.

Referenced documents. In addition to [MIL-PRF-83726](#), this document references the following:

- [MIL-PRF-55182](#)   [MIL-STD-704](#)   [MIL-STD-461](#)   [MIL-STD-1285](#)   [SAE-AMS2422](#)
- [SAE-AMS3332](#)   [ASTM B488](#)   [MIL-R-10509](#)   [MIL-DTL-12883/40](#)   [MIL-STD-202-214](#)

Custodian activities:

- Navy - EC
- Air Force - 85
- DLA – CC

Preparing activity:

DLA - CC

(Project 5945-2018-003)

Review activities:

- Navy - OS
- Air Force – 19

NOTE: The activities listed above were interested in this document as of the date of this document. Since organizations and responsibilities can change, you should verify the currency of the information above using the ASSIST Online database at <https://assist.dla.mil/>.