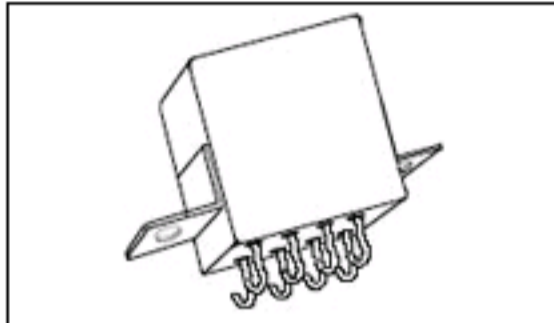




## FCA-215-CY9 Product Details

[Share](#)
[Print](#)
[Email](#)


**FCA-215-CY9**  
(4-1617763-8)

TE Internal Number: 4-1617763-8

 **Active**

### Military/Aerospace Mid-Range Relays

[Not EU RoHS or ELV Compliant](#)

#### Product Highlights:

- FCA 10-25 Amp Relay Series
- AC Actuating System
- Coil - Rated Voltage = 115 VAC
- Frequency = 50/400 Hz
- Contact Arrangement = 2 Form C, DPDT, 2 C/O

[View all Features](#)

#### Quick Links

- ▶ [Check Pricing & Availability](#)
- ▶ [Search for Tooling](#)
- ▶ [Product Feature Selector](#)
- ▶ [Contact Us About This Product](#)

[Add to My Part List](#)
 [Request Sample](#)
 [Find Similar Products](#)
 [Buy Product](#)

### Documentation & Additional Information

#### Product Drawings:

- [MSD RELAY](#) (PDF, English)

#### Catalog Pages/Data Sheets:

- None Available

#### Product Specifications:

- None Available

#### Application Specifications:

- None Available

#### Instruction Sheets:

- None Available

#### CAD Files:

- None Available

#### Additional Information:

- [Product Line Information](#)

#### Additional Product Images:

- [Dimensional Drawing](#)
- [Wiring Diagram](#)
- [Terminal Type](#)

#### Related Products:

- [Tooling](#)

[List all Documents](#)

### Product Features (Please use the Product Drawing for all design activity)

#### Product Type Features:

- Series = FCA 10-25 Amp Relay
- [Terminal Configuration](#) = Solder Hook

#### Electrical Characteristics:

- [Actuating System](#) = AC
- [Coil - Rated Voltage \(VAC\)](#) = 115
- [Frequency](#) = 50/400 Hz
- [Current Rating \(A\)](#) = 15

#### Termination Features:

- [Terminal Plating](#) = Tin-Lead
- Auxiliary Contacts = Without

#### Body Features:

- [Mount Type](#) = Bottom Mount

#### Configuration Features:

- [Contact Arrangement](#) = 2 Form C, DPDT, 2 C/O
- [Coil Suppression Diode](#) = Without
- Coil - Magnetic System = Polarized, Monostable

#### Industry Standards:

- Government/Industry Qualification = No
- [RoHS/ELV Compliance](#) = Not ELV/RoHS compliant
- [Lead Free Solder Processes](#) = Not suitable for lead free processing

#### Other:

- Brand = CII

### Corporate Information

[Who We Are](#)

[Investors](#)

[News Room](#)

[Supplier Portal](#)

[Careers](#)

### Quick Links

[Check Distributor Inventory](#)

[Cross Reference](#)

[Find Documents & Drawings](#)

[Product Compliance Support Center](#)

[Site Map](#)

### Customer Support

[Email or Chat With Us](#)

[Find a Phone Number](#)

[Search Knowledge Base](#)

[Manage your Account](#)

### Keep Me Informed

Receive TE News, Events & Technology Updates

Enter your email address

