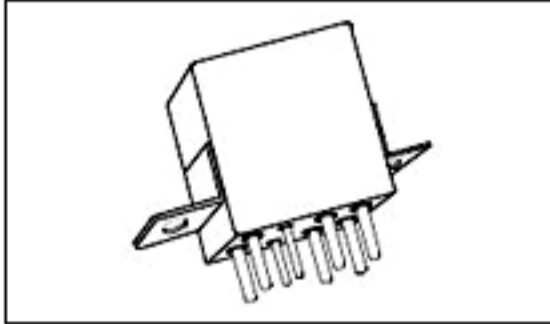




## FCA-210-BY3 Product Details

[Share](#) | [Print](#) | [Email](#)


**FCA-210-BY3**  
(8-1617751-7)

TE Internal Number: 8-1617751-7

 **Active**

### Military/Aerospace Mid-Range Relays

[Not EU RoHS or ELV Compliant](#)

#### Product Highlights:

- FCA 10-25 Amp Relay Series
- DC Actuating System
- Coil - Rated Voltage = 28 VDC
- Coil Resistance = 320  $\Omega$
- Contact Arrangement = 2 Form C, DPDT, 2 C/O

[View all Features](#)

#### Quick Links

- ▶ [Check Pricing & Availability](#)
- ▶ [Search for Tooling](#)
- ▶ [Product Feature Selector](#)
- ▶ [Contact Us About This Product](#)

[Add to My Part List](#)  [Request Sample](#)  [Find Similar Products](#)  [Buy Product](#)

### Documentation & Additional Information

#### Product Drawings:

- [MSD RELAY](#) (PDF, English)

#### Catalog Pages/Data Sheets:

- None Available

#### Product Specifications:

- None Available

#### Application Specifications:

- None Available

#### Instruction Sheets:

- None Available

#### CAD Files:

- None Available

#### Additional Information:

- [Product Line Information](#)

#### Additional Product Images:

- [Dimensional Drawing](#)
- [Wiring Diagram](#)
- [Termination Type](#)

#### Related Products:

- [Tooling](#)

[List all Documents](#)

### Product Features (Please use the Product Drawing for all design activity)

#### Product Type Features:

- Series = FCA 10-25 Amp Relay
- [Terminal Configuration](#) = Solder Pins

#### Electrical Characteristics:

- [Actuating System](#) = DC
- [Coil - Rated Voltage \(VDC\)](#) = 28
- Coil Resistance ( $\Omega$ ) = 320
- [Current Rating \(A\)](#) = 10
- Shock = 200G's, 6ms
- Vibration = 30G's, 33 to 3000Hz

#### Termination Features:

- [Terminal Plating](#) = Tin-Lead
- Auxiliary Contacts = Without

#### Body Features:

- Mount Type = Raised Vertical Flange Mount

#### Contact Features:

- Enclosure Type = Hermetically Sealed

#### Configuration Features:

- [Contact Arrangement](#) = 2 Form C, DPDT, 2 C/O
- [Coil Suppression Diode](#) = Without
- Coil - Magnetic System = Polarized, Monostable

#### Industry Standards:

- Government/Industry Qualification = No
- [RoHS/ELV Compliance](#) = Not ELV/RoHS compliant
- [Lead Free Solder Processes](#) = Not suitable for lead free processing

#### Other:

- Brand = CII

### Corporate Information

[Who We Are](#)  
[Investors](#)  
[News Room](#)  
[Supplier Portal](#)  
[Careers](#)

### Quick Links

[Check Distributor Inventory](#)  
[Cross Reference](#)  
[Find Documents & Drawings](#)  
[Product Compliance Support Center](#)  
[Site Map](#)

### Customer Support

[Email or Chat With Us](#)  
[Find a Phone Number](#)  
[Search Knowledge Base](#)  
[Manage your Account](#)

### Keep Me Informed

Receive TE News, Events & Technology Updates



