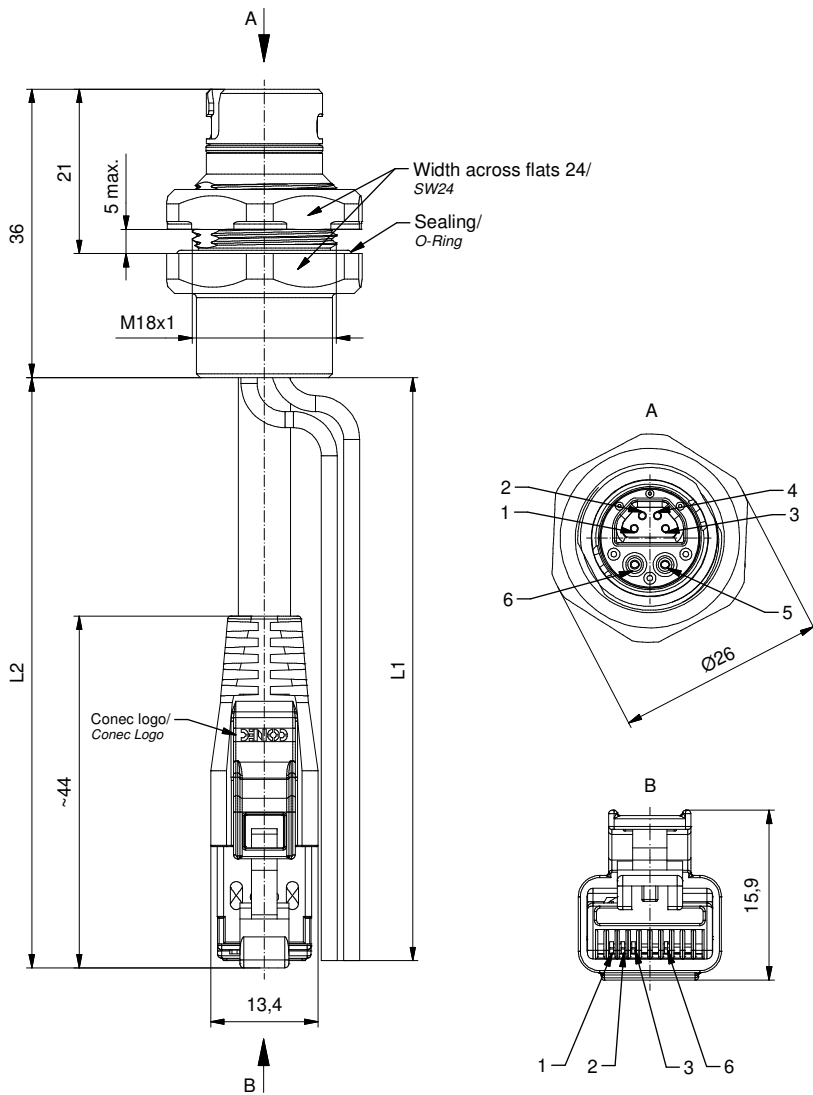


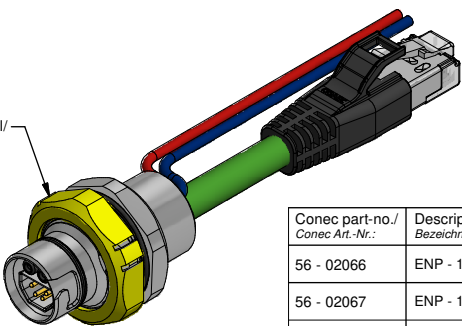
This reproduction, distribution and utilization of this document as well as the communication of its contents to others without express authorization is prohibited. Offenders will be held liable for the payment of damages. We reserve the right to remove additional data at any time if this becomes necessary in order to adapt the material to the state of the art.



Technical specification: <i>Technische Daten:</i>	Data-element: <i>Daten-Element:</i>	Power-element: <i>Leistungs-Element:</i>
No. of contacts/ <i>Anzahl Kontakte:</i>	4	2
Rated Voltage acc. UL2238/ <i>Bemessungsspannung nach UL2238:</i>	24 V DC	60 V DC
Rated Voltage/ <i>Bemessungsspannung:</i>	24 V DC	60 V DC
Rated impulse voltage/ <i>Bemessungsspannung:</i>	1 kV	1,5 kV
Current rating acc. UL2238/ <i>Strombelastbarkeit nach UL2238:</i>	1,5 A (AWG22)	10 A (0,75 mm ²)
Current rating/ <i>Strombelastbarkeit:</i>	1,5 A / 40°C	10 A / 40°C
Contact resistance/ <i>Kontaktwiderstand:</i>	<10 mOhm	<5 mOhm
Insulation resistance/ <i>Isolationswiderstand:</i>	>100 MOhm	
Impedance/ <i>Impedanz:</i>	100 Ohm	
Degree of protection/ <i>Schutzart:</i>	IP 67, in mated condition/ <i>im verschraubten Zustand</i>	
Pollution degree/ <i>Verschmutzungsgrad:</i>	3/2	
Temperatur range/ <i>Umgebungstemperatur:</i>	-30°C ... +80°C	
Mating cycles/ <i>Steckzyklen:</i>	≥100	
Wire/ cable specification/ <i>Litzen/ Kabeleigenschaften:</i>		
Temperature range/ <i>Umgebungstemperatur:</i>	Data/Daten:	Power/Power:
Static/unbewegt:	-40°C...+70°C	-40°C...+105°C
Flexible/bewegt:	-20°C...+60°C	-10°C...+105°C
Materials/ Flange/ <i>Werkstoffe/ Flansch:</i>		
Contact/ <i>Kontakt:</i>	Cu alloy, Ni b / Au 0,2 gal / <i>Kupferlegierung, Ni b / Au 0,2 gal.</i>	
Contact carrier/ <i>Kontaktträger:</i>	PA, UL 94 V-0	
Sealing/ <i>Dichtung:</i>	HNBR / NBR	
Socket housing/ <i>Flanschgehäuse:</i>	CuZn, Ni	
Counter nut/ <i>Kontermutter:</i>	CuZn, Ni	
Sealing Compound/ <i>Verguss:</i>	Polyurethane-resin, UL 94 V-0 <i>Polyurethan-Harz, UL 94 V-0</i>	
Materials/ RJ45: <i>Werkstoffe:</i>		
Contact/ <i>Kontakt:</i>	CuZn, Ni / Au 0,3 gal.	
Contact carrier/ <i>Kontaktträger:</i>	PC, UL 94 V-0	
Shield/ <i>Schirm</i>	CuZn, Ni	
Moulding body/ <i>Umspritzung:</i>	TPU, UL 94 HB, <i>black / schwarz</i>	
Installation specification/ <i>Montagedaten:</i>		
Recommended torque/ <i>empfohlenes Drehmoment:</i>	4 Nm	
Conec Installation tool/ <i>Montagewerkzeug:</i>	Torque wrench/ <i>Drehmomentschlüssel:</i> 36-000200 Width across flats 24/ <i>Steckzeinsatz SW24:</i> 36-000560	
Installation hole/ <i>Montagelöcher:</i>	see Fig.1 56K1A9999/ <i>siehe Abb.1 56K1A9999</i>	

Contact assignment/ <i>Kontaktbelegung:</i>		
1	yellow / gelb	AWG22 TX +
2	white / weiß	AWG22 RX +
3	blue / blau	AWG22 RX -
4	orange / orange	AWG22 TX -
shielding / Schirmung		
5	red / rot	0,75mm ²
6	blue / blau	0,75mm ²

Color marking optional/
Farbhaube optional
 Cod. 1 (yellow / gelb)
 Art.-no. 56 - 99004
 Cod. 2 (green / grün)
 Art.-no. 56 - 99005



Shortest possible length (L1+L2) is 0.1m/
Kürzest mögliche Länge (L1+L2) beträgt 0,1m

Conec part-no./ <i>Conec Art.-Nr.:</i>	Description/ <i>Bezeichnung:</i>	Length L1/ <i>Länge L1:</i>	Length L2/ <i>Länge L2:</i>	Cable - wires/ <i>Kabel - Litzen:</i>	Type/ <i>Typ:</i>
56 - 02066	ENP - 12 - 1 - FSH2Pbu2Ds4 - 45S - RS8.36 - 0,5 / G6 / 075 / 034	0,5m	0,5m	Cable/ Kabel	Contact site A/ <i>Kontakt Seite A:</i> PUR, Female/ Buchse (power / Power) 781-G63400
56 - 02067	ENP - 12 - 1 - FSH2Pbu2Ds4 - 45S - RS8.36 - 1 / G6 / 075 / 034	1m	1m	(4xAWG22)	Male / Stift (data / Daten)
56 - 02068	ENP - 12 - 1 - FSH2Pbu2Ds4 - 45S - RS8.36 - 2 / G6 / 075 / 034	2m	2m	Wires/ Litzen	Contact site B/ <i>Kontakt Seite B:</i> RJ45 male/ RJ45 Stecker
56 - xxxxx	ENP - 12 - 1 - FSH2Pbu2Ds4 - 45S - RS8.36 - ... / G6 / 075 / 034	x	x	PPE, (2x0,75mm ²)	

tolerance of cable and wires/ <i>Kabel- und Litzentoleranz:</i>	L ≤ 5m: L + 50mm L > 5m: L ± 2%	dim. in mm	Receptacle B12, backmounting short, coding 1 <i>Flansch B12, Hinterwandmontage kurz, Codierung 1</i>		
general tolerance/ <i>Allgemeintoleranz:</i>	0 ± 0,50mm 0,0 ± 0,25mm 0,00 ± 0,10mm x ± 1,5°				
Index: "d" Ä21-0444 09.11.21 SSA	scale/Maßstab: 1,5:1 (1:1; 2:1)	Date/Datum 04.11.16			Name Becker
RoHS compliant/konform		drawn/gez. 04.11.16			Schramm
dwg no / <i>Z.-nr.:</i>			56K1A1022		
DIN-A3			1 / 1		

