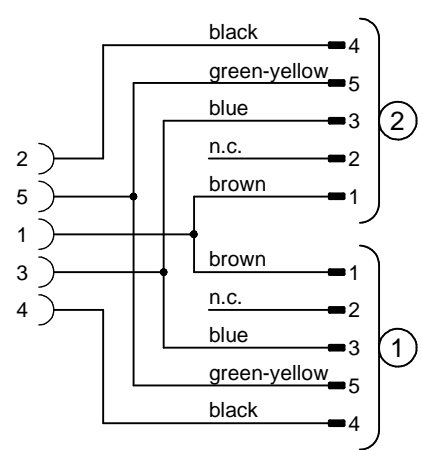


Width across flats 13

Width across flats 13

Contact assignment:



Technical specification :

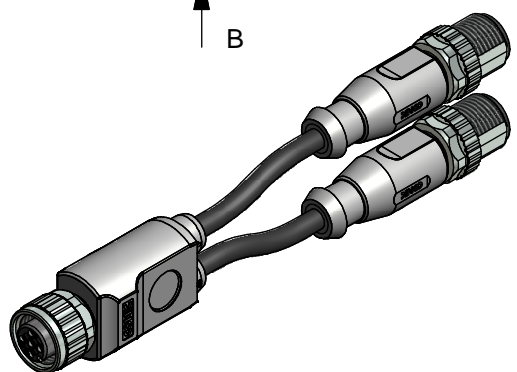
Rated voltage: IEC 61076-2-101	60 V
Current rating: IEC 61076-2-101	3 A at 40°C
Insulation resistance: IEC 60512	>=100 MΩ
Pollution degree: IEC 60664-1	3/2
Degree of protection: IEC 60529	IP 67, in mated condition
Temperature range:	-30°C ... +80°C
Mating cycles: IEC 60512-9a	>=100

Materials:

Contact:	CuZn
Contact plating:	Nickel, gold plated
Contact carrier:	PA, UL 94
Sealing:	FPM
Coupling nut/ screw:	GD-Zn, nickel plated
Moulding body:	TPU, UL 94, grey

Installation specification:

Recommended torque:	0,6 Nm
Conec installation tool:	Torque wrench: 36-000200 Insert across flats 13: 36-000220



D see data sheet cable

Part no:	Description:	Length L:	Cable:
43-16287	SAL - 12 - DK5 - 2RS5.2 - 0,3 / 0,3 / K1	0,3m	TPE, UL 20549, black, 4x0,34mm ² Cable: 781-K13500
43-16288	SAL - 12 - DK5 - 2RS5.2 - 0,6 / 0,6 / K1	0,6m	
43-16289	SAL - 12 - DK5 - 2RS5.2 - 1,5 / 1,5 / K1	1,5m	
43-16290	SAL - 12 - DK5 - 2RS5.2 - 3 / 3 / K1	3,0m	
43-xxxxx	SAL - 12 - DK5 - 2RS5.2 - ... / ... / K1	x	

DO NOT ALTER CAD DRAWING BY HAND Directive 2002/95/EC RoHS compliant	dim. in mm		title: Duo-distributor, female connector M12x1 axial - 2x male connector M12x1 axial	
		date		name
	tolerance of cable: L ≤ 4m: L + 40mm L > 4m: L + 1%	drawn 20.11.12 appd. 20.11.12	Fromm Mankopf	dwg no: 43K1A1881
	general tolerance: 0 ± 0,50mm 0,0 ± 0,25mm 0,00 ± 0,10mm			part no: see table

THIS DRAWING MAY NOT BE COPIED OR REPRODUCED IN ANY WAY, AND MAY NOT BE PASSED ON TO A THIRD PARTY WITHOUT WRITTEN PERMISSION. OWNERSHIP AND COPYRIGHT OF CONEC GmbH

