

Technical specification :

Rated voltage: 60 V
IEC 61076-2-101

Current rating: 4 A at 40°C
IEC 61076-2-101

Insulation resistance: ≥ 100 M
IEC 60512

Pollution degree: 3/2
IEC 60664-1

Degree of protection: IP 67, in mated condition
IEC 60529

Temperature range: -30°C ... +80°C
EN 60512-11-10
-40°C ... +85°C
EN 60512-11-4

Mating cycles: ≥ 100
IEC 60512-9a

Cable specification:

Temperatur range:
static -40°C ... +80°C
flexibel -25°C ... +80°C

Numbers of cycles: ≥ 4 Mio. at 3 m/s

Materials:

Contact: CuZn, Ni b / Au 0,2 gal.

Contact carrier: PA, UL 94 V-0

Sealing: FPM

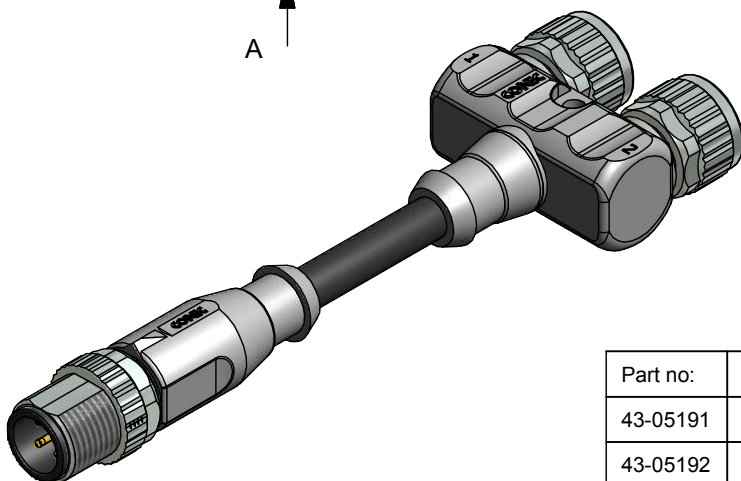
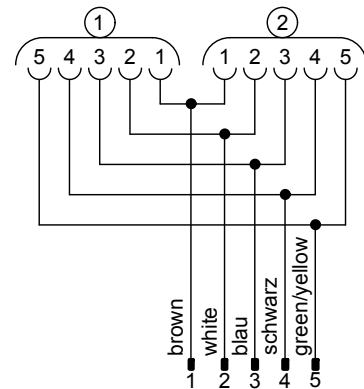
Coupling nut/ screw: GD-Zn, Nickel plated

Moulding body: TPU, UL 94 HB, grey

Installation specification:

Recommended torque: 0,6 Nm

Conec installation tool: Torque wrench: 36-000200
Insert across flats 13: 36-000220



Part no:	Description:	Length L:	Cable:
43-05191	SAL - 12 - YRS5 - 2YK5 - 0,3 / K1	0,3 m	TPU, UL 20549, black, 5x0,34mm ² , Li9Y11Y Cable: 781-K13500
43-05192	SAL - 12 - YRS5 - 2YK5 - 0,6 / K1	0,6 m	
43-xxxxx	SAL - 12 - YRS5 - 2YK5 - ... / K1	x	

DO NOT ALTER CAD DRAWING BY HAND RoHS & REACH compliant	dim. in mm		title: Y-splitter, male connector M12x1 - 2x female connector M12x1	
	date	name		
	tolerance of cable:	L \leq 4m: L + 40mm L > 4m: L + 1%	drawn 05.11.15 appd. 05.11.15	Willer Franz
	general tolerance:	0 \pm 0,50mm 0,0 \pm 0,25mm 0,00 \pm 0,10mm * \pm 5°	CONEC [®]	
THIS DRAWING MAY NOT BE COPIED OR REPRODUCED IN ANY WAY, AND MAY NOT BE PASSED ON TO A THIRD PARTY WITHOUT WRITTEN PERMISSION. OWNERSHIP AND COPYRIGHT OF CONEC GmbH			dwg no: 43K1A3176	
			part no: see table	