

**Technical specification:**

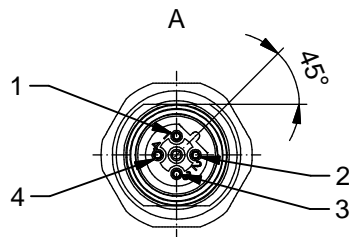
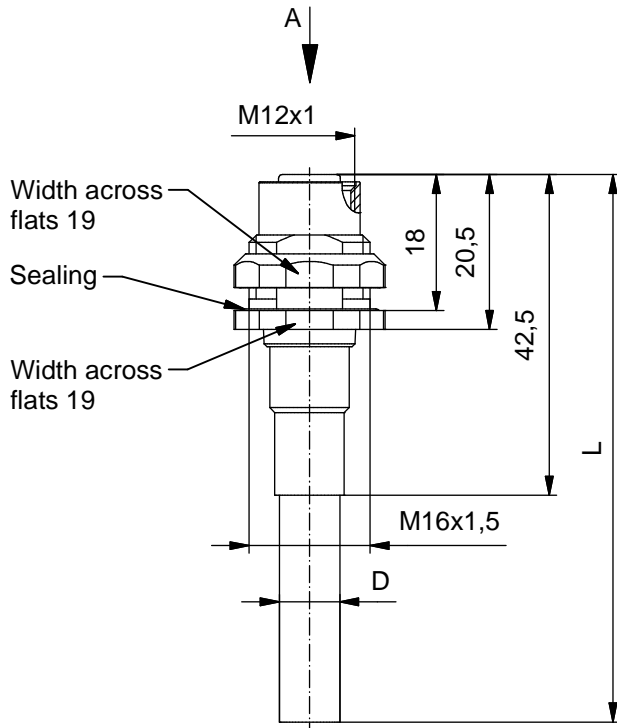
Rated voltage: IEC 61076-2-101	160 V
Current rating: IEC 61076-2-101	4 A at 40°C
Insulation resistance: IEC 60512	>=100 MΩ
Pollution degree: IEC 60664-1	3/2
Degree of protection: IEC 60529	IP 67, in mated condition
Temperature range: IEC 60664-1	-30°C ... +60°C
Mating cycles: IEC 60512-9a	>=100

**Materials:**

Contact:	CuZn
Contact plating:	Nickel, gold plated
Contact carrier:	PBT GF, UL 94
Sealing connector: chassis:	FPM NBR
Counternut:	CuZn, nickel plated
Socket housing:	CuZn, nickel plated

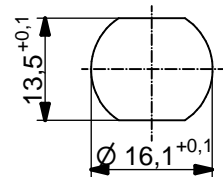
**Installation specification:**

Recommended torque:	1-1,2 Nm
Conec installation tool:	Torque wrench: 36-000200 Insert across flats 19: 36-000250

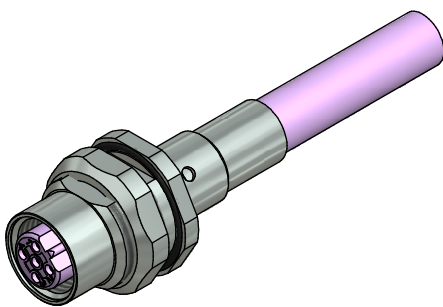


**Contact assignment:**

1	n.c.
2	Profibus-A green
3	n.c.
4	Profibus-B red
Shielding socket housing	



Minimum wall thickness 1,5mm, alternativ panel cut-out d=16,1



Part no:	Description:	Length L:	Cable:
43-01649	SAL - 12B - FKH4.1 - 0,5 / G4	0,5m	TPU, UL, violett, 2x AWG22 Cable: 781-G43200
43-01650	SAL - 12B - FKH4.1 - 1 / G4	1m	
43-01651	SAL - 12B - FKH4.1 - 2 / G4	2m	
43-xxxxx	SAL - 12B - FKH4.1 - ... / G4	x	

D see data sheet cable

DO NOT ALTER CAD DRAWING BY HAND Directive 2002/95/EC RoHS compliant	Index: a 05.12.12 MG Ä4555 Technical specification changed, materials corrected	dim. in mm	title: <b>Female socket M12x1 with cable, backmounting, Profibus-DP</b>		
				date	name
	tolerance of cable: L ≤ 4m: L + 40mm L > 4m: L + 1%	drawn		23.09.10	Fromm
	general tolerance: 0 ± 0,50mm 0,0 ± 0,25mm 0,00 ± 0,10mm	appd.		23.09.10	W.Schmidt
THIS DRAWING MAY NOT BE COPIED OR REPRODUCED IN ANY WAY, AND MAY NOT BE PASSED ON TO A THIRD PARTY WITHOUT WRITTEN PERMISSION. OWNERSHIP AND COPYRIGHT OF CONEC GmbH		<b>CONEC</b> ®	dwg no: <b>43K1A1183</b>		
			part no: <b>see table</b>		