

Technical specification :

| | |
|-------------------------------------|----------------------------|
| Rated voltage: IEC 61076-2-104 | 30 V |
| Current rating: IEC 61076-2-104 | 5 A at 40°C |
| Insulation resistance: IEC 60512 | $\geq 100 \text{ M}\Omega$ |
| Pollution degree: IEC 60664-1 | 3/2 |
| Degree of protection: IEC 60529 | IP 67, in mated condition |
| Temperature range: | -30°C ... +80°C |
| Mating cycles: IEC 60512-9a | ≥ 100 |

Materials:

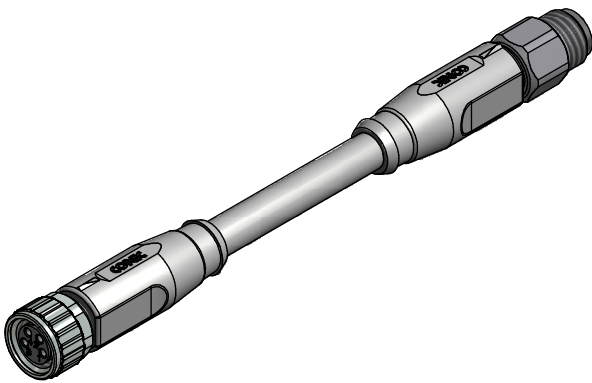
| | |
|-------------------------|----------------------|
| Contact: | CuZn |
| Contact plating: | Nickel, gold plated |
| Contact carrier: | PA, UL 94 |
| Sealing: | FPM |
| Coupling nut/ screw: | GD-Zn, nickel plated |
| Moulding body: | TPU, UL 94, grey |

Installation specification:

| | |
|--------------------------|--|
| Recommended torque: | 0,4 Nm |
| Conec installation tool: | Torque wrench: 36-000200 Insert across flats 9: 36-000210 |

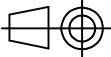

Contact assignment:

- 1) brown —■
- 2) white —■
- 3) blue —■
- 4) black —■



D see data sheet cable

| Part no: | Description: | Length L: | Cable: |
|----------|-------------------------------------|-----------|---|
| 42-12250 | SAL - 8 - RK4 - RS4 - 0,3 / A1 / 05 | 0,3m | PVC, grey, 4x0,5mm ² Cable: 781-A15400 |
| 42-12251 | SAL - 8 - RK4 - RS4 - 0,6 / A1 / 05 | 0,6m | |
| 42-12252 | SAL - 8 - RK4 - RS4 - 1,5 / A1 / 05 | 1,5m | |
| 42-12253 | SAL - 8 - RK4 - RS4 - 3 / A1 / 05 | 3,0m | |
| 42-xxxxx | SAL - 8 - RK4 - RS4 - ... / A1 / 05 | x | |

| | | | | |
|--|--|---|--|--------------------------------|
| DO NOT ALTER CAD DRAWING BY HAND Directive 2002/95/EC RoHS compliant |  dim. in mm | | title: Connecting cable M8x1, female connector axial - male connector axial | |
| | | date name | | |
| | tolerance of cable: $L \leq 4\text{m}: L + 40\text{mm}$ $L > 4\text{m}: L + 1\%$ | drawn 11.10.13 | Fromm | dwg no: 42K1A574 |
| | general tolerance: 0 $\pm 0,50\text{mm}$ 0,0 $\pm 0,25\text{mm}$ 0,00 $\pm 0,10\text{mm}$ | appd. 11.10.13 | Mankopf | |
|  | | part no: see table | | |
| THIS DRAWING MAY NOT BE COPIED OR REPRODUCED IN ANY WAY, AND MAY NOT BE PASSED ON TO A THIRD PARTY WITHOUT WRITTEN PERMISSION. OWNERSHIP AND COPYRIGHT OF CONEC GmbH | | | | |