

**Technical specification/
Technische Daten:**

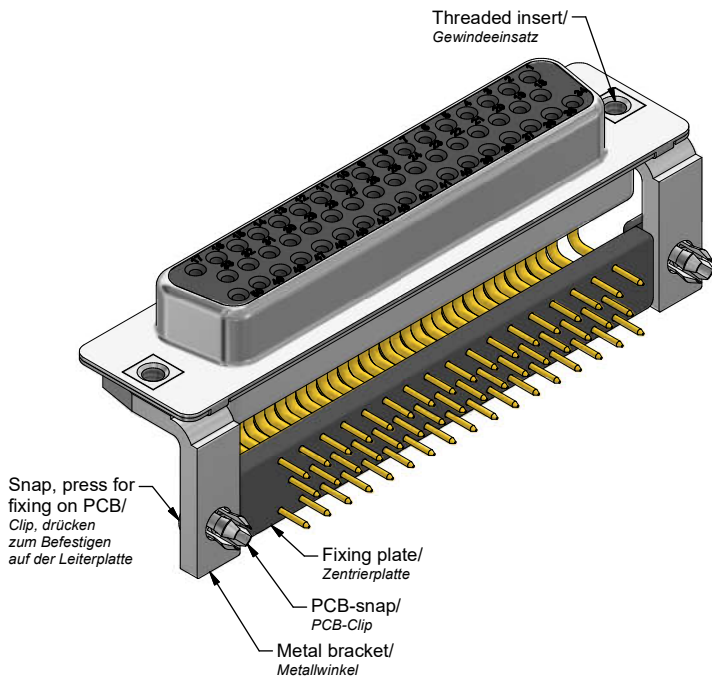
Working voltage/ Betriebsspannung: IEC 664-1	100 VDC
Current rating/ Strombelastbarkeit:	7,5 A (UL) / 5 A (CSA, VDE)
Insulation resistance/ Isolationswiderstand:	≥ 1 GΩ
Dielectric withstanding voltage/ Spannungsfestigkeit (DWV):	424 VDC
Temperature working range/ Umgebungstemperatur:	- 25 °C ... + 105 °C
Capacitance value/ Kapazitätswert:	1300 pF ± 20 %
Mating cycles/ Steckzyklen:	Quality class 1 = 500 Gütestufe 1 Quality class 2 = 200 Gütestufe 2 Quality class 3 = 50 Gütestufe 3

**Materials/
Werkstoffe:**

Contact/ Kontakt:	Cu alloy, Au over Ni Contact tails pretinned/ Kontaktspitzen verzinkt
Insulator/ Isolierkörper:	High temp. PA UL94 V-0
Shells/ Gehäuse:	Steel, Sn over Ni
Metal bracket/ Metallwinkel:	Steel, Sn
Threaded insert/ Gewindeeinsatz:	Cu alloy, Sn over Ni
Fixing plate/ Zentrierplatte:	High temp. PA UL94 V-0
PCB-snap/ PCB-Clip:	Cu alloy, Sn over Ni

**Installation specification/
Montagedaten:**

Solder parameter/ Lötparameter:	
Solder preheat temperature/ Vorheiztemperatur:	100 °C for 30 sec./ 100 °C für 30 Sek.
Solder bath temperature/ Lötbadtemperatur:	260 °C for 5 sec./ 260 °C für 5 Sek.
PCB hole drillings/ Leiterplattenbohrbild:	see sheet 2/ siehe Seite 2
Recommended torque value for thread/ Empfohlenes Drehmoment für Gewinde:	max. 6 in.LB/ max. 67 Ncm
PCB snap for hole diameter/ PCB Clip für Lochdurchmesser:	Ø3,1 mm
Circuit board thickness/ Leiterplattenstärke:	1,6 mm

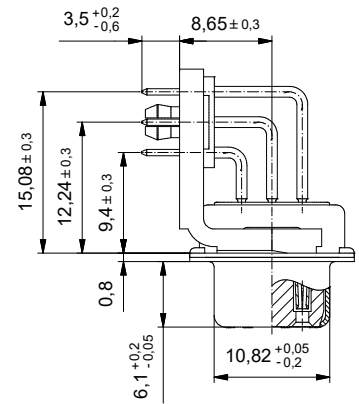
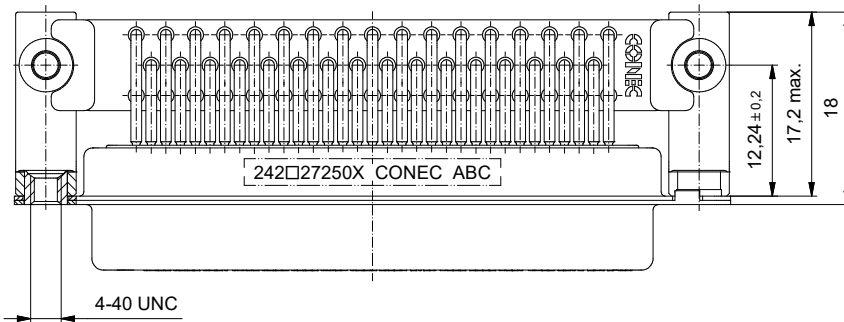
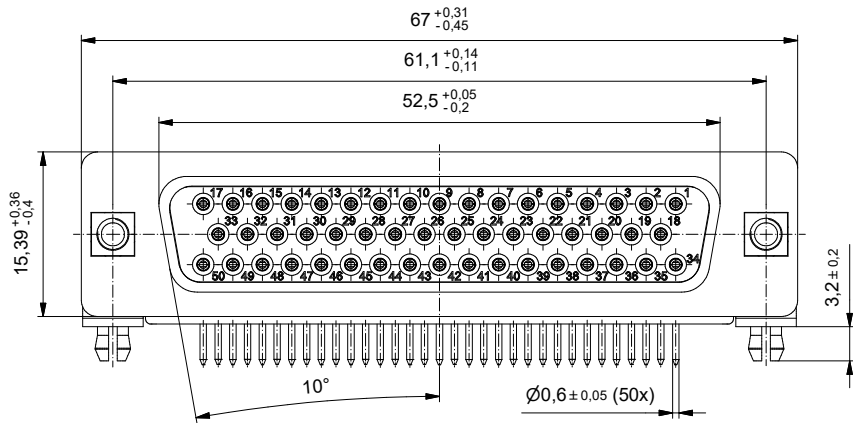
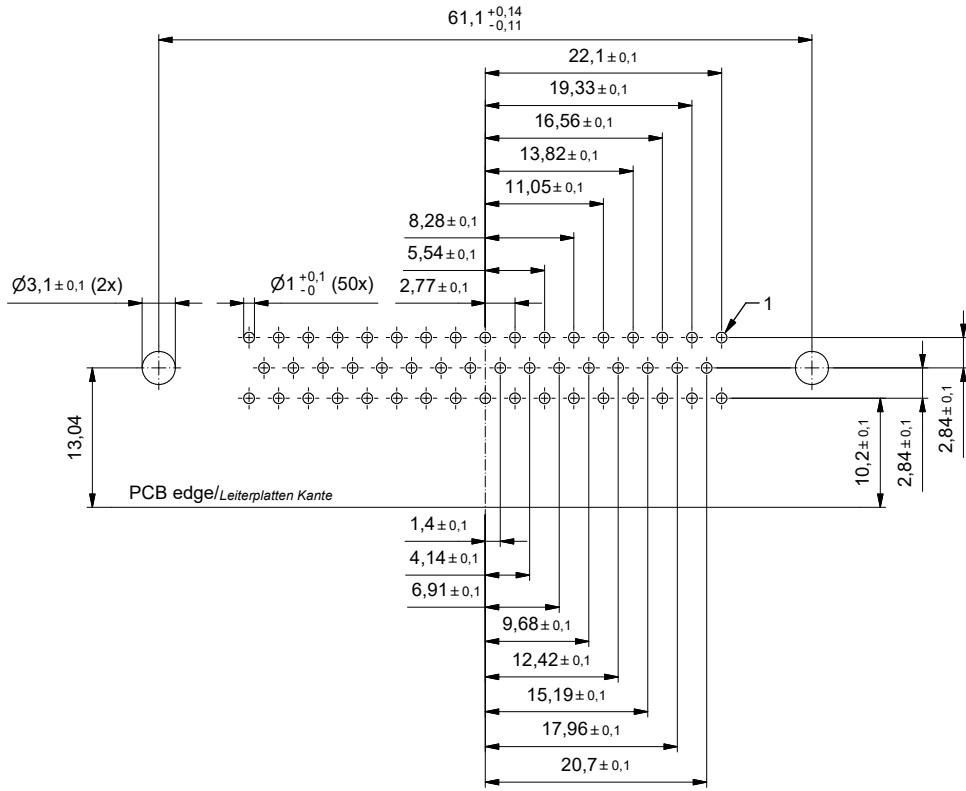


Part no. / part marked/ Art.-Nr. / Bedruckung:	Quality class/ Gütestufe:	Contact plating/ Kontakt Veredelung:
242A27250X	3	Gold flash over nickel Gold über Nickel
242B27250X	2	20 µin hard gold over min. 50 µin nickel 20 µin Gold über min. 50 µin Nickel
242C27250X	1	30 µin hard gold over min. 50 µin nickel 30 µin Gold über min. 50 µin Nickel

		D-SUB C-Filter Female 50pos. Solder pin angled 0.370inch with threaded insert, metal bracket, fixing-plate and PCB snap D-SUB C-Filter Buchse 50pol. Lötstift abgewinkelt 9.4mm mit Gewindeeinsatz, Metallwinkel, Zentrierplatte und PCB Clip	
Index: a Original	Scale/ Maßstab: 2:1		dwg no / Z.-nr.: 24K1A1927
Status: Freigegeben			
RoHS compliant/ konform			1 / 2

This reproduction, distribution and utilization of this document as well as the communication of its contents to others without express authorization is prohibited. Offenders will be held liable for the payment of damages. For further information on other legal matters, please refer to our homepage: http://www.conec.com.

PCB hole drillings
(PCB top side)/
Leiterplattenbohrbild
(Leiterplatten Oberseite)



		dim. in mm		D-SUB C-Filter Female 50pos. Solder pin angled 0.370inch with threaded insert, metal bracket, fixing-plate and PCB snap	
		Date/Datum	Name	D-SUB C-Filter Buchse 50pol. Lötstift abgewinkelt 9.4mm mit Gewindeeinsatz, Metallwinkel, Zentrierplatte und PCB Clip	
		drawn/gez.	04.02.20	Lehmenkühler	
		appd./gepr.	04.02.20	Schmidt	
Index:	a Original	scale/ Maßstab:	2:1	dwg no / Z.-nr.:	24K1A1927
Status:	Freigegeben			DIN-A3	2 / 2
RoHS compliant/ konform					

This reproduction, distribution and utilization of this document as well as the communication of its contents to others without express authorization is prohibited. Offenders will be held liable for the payment of damages. For further information on other legal matters, please refer to our website: <http://www.conec.com>.