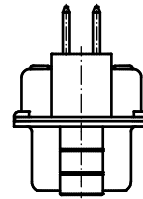
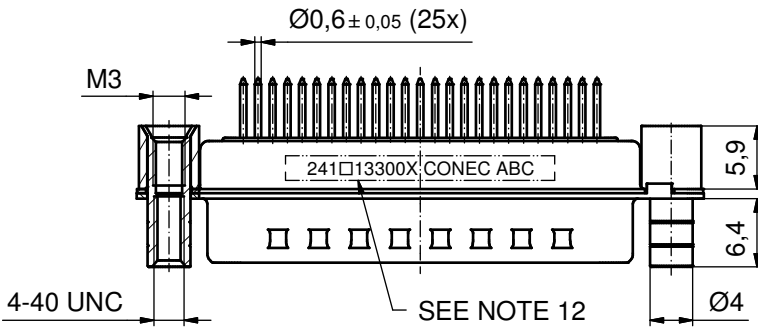
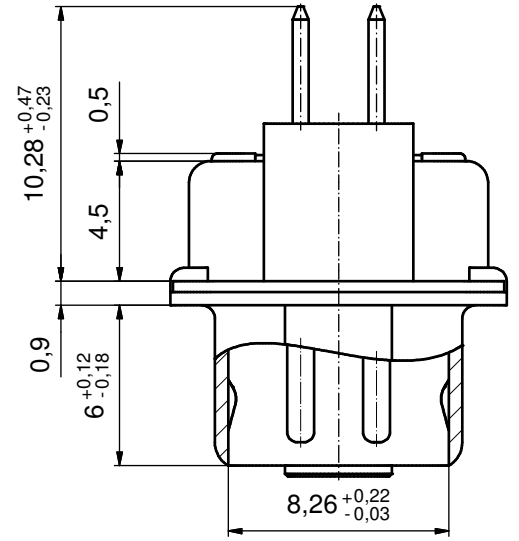
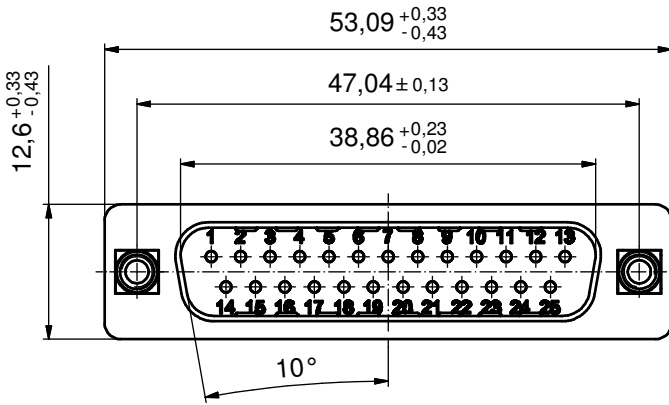
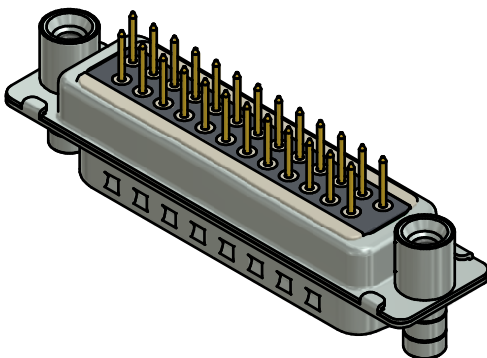


(5:1)



NOTES:

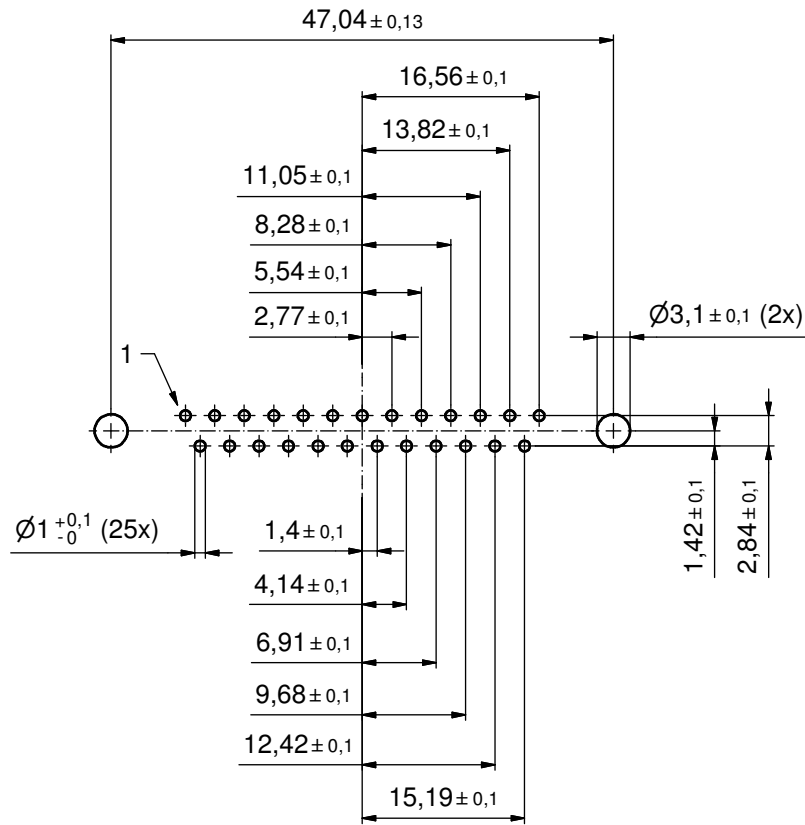
1. RoHS COMPLIANT
2. FOR WAVESOLDERING (SOLDER BATH TEMPERATURE 260°C FOR 5 SEC. AND SOLDER PREHEAT 100°C FOR 30SEC.)
3. METALSHELLS: STEEL; min. 315µin TIN over 40-80µin NICKEL
4. INSULATOR: HIGH TEMPERATURE PLASTIC UL 94 V-0, BLACK
5. CONTACTS: COPPER ALLOY; PLATING (SEE PART NO.):
 - PLEASE ADD A for GOLD FLASH over NICKEL (PREFERRED TYPE)
 - PLEASE ADD B for 20µin HARD GOLD over min. 50µin NICKEL
 - PLEASE ADD C for 30µin HARD GOLD over min. 50µin NICKEL
6. THREADED REAR SPACERS / FRONT THREADED LOCKS: COPPER ALLOY; min. 200µin TIN over 80µin NICKEL
7. SLEEVES: COPPER ALLOY; min. 200µin TIN over 80µin NICKEL
8. P.C.B. HOLE DRILLINGS ON SHEET 2
9. CAPACITANCE: 370pF ± 20%
10. DIELECTRIC WITHSTANDING VOLTAGE: 424 VDC
11. MAXIMUM TORQUE VALUE FOR THREAD: 6 in.LB
12. CONNECTOR IS PART MARKED: 241□13300X CONEC ABC (see note 5)



Directive 2002/95/EC RoHS compliant

THIS DRAWING MAY NOT BE COPIED OR REPRODUCED IN ANY WAY, AND MAY NOT BE PASSED ON TO A THIRD PARTY WITHOUT WRITTEN PERMISSION. OWNERSHIP AND COPYRIGHT OF CONEC GmbH DO NOT ALTER CAD DRAWING BY HAND	tolerance		dim. in mm		scale: 2:1 (5:1)	
					material: SEE NOTES	
			date		title:	
			name		D-SUB FILTER MALE	
			drawn 20.08.12 Henneboel		25pos. SOLDER PIN STRAIGHT	
			appd. 21.08.12 Fischer		with threaded rear spacer and front threaded lock	
			norm		dwg no:	
			d-old		24K1A1401	
	a Original				DIN-A3	
	rev. description date name				sh: 1/2	
part no: 241□13300X (see note 5)						

P.C.B. HOLE DRILLINGS
(P.C.B. TOP SIDE)



THIS DRAWING MAY NOT BE COPIED OR REPRODUCED IN ANY WAY, AND MAY NOT BE PASSED ON TO A THIRD PARTY WITHOUT WRITTEN PERMISSION. OWNERSHIP AND COPYRIGHT OF CONEC GmbH DO NOT ALTER CAD DRAWING BY HAND				tolerance		scale: 2:1	
					dim. in mm	material: SEE SHEET 1	
				date	name	title: P.C.B. HOLE DRILLINGS D-SUB FILTER MALE 25pos. SOLDER PIN with threaded rear spacer and front threaded lock	
				drawn 20.08.12	Henneboel		
				appd. 21.08.12	Fischer		
				norm			
				d-old		dwg no:	
	a	Original		CONEC [®]		24K1A1401	DIN-A3
	rev.	description	date			name	sh: 2/2
						part no:	SEE SHEET 1