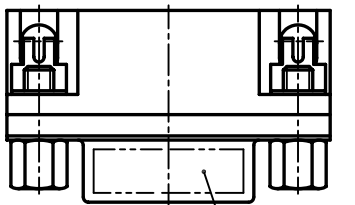
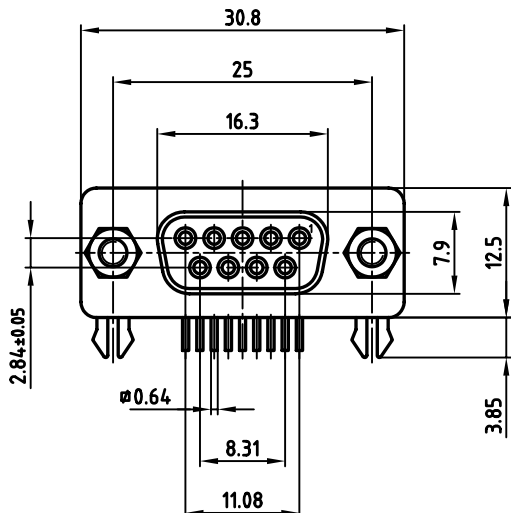
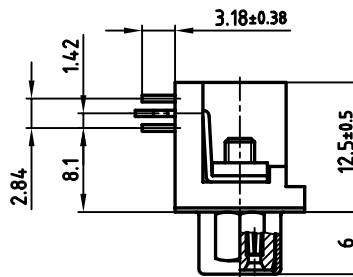


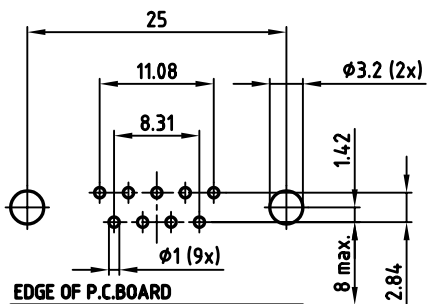
used for: D-SUB



SEE NOTE 5



Directive 2002/95/EC
RoHS
Compliant



RECOMMENDED P.C.B. LAYOUT (TOP VIEW)

TOLERANCES: ±0.05mm

SPECIFICATION

- SUITABLE FOR REFLOW SOLDERING
- MATERIAL:
 - INSULATOR: NYLON 9T
 - CONTACTS: COPPER ALLOY
 - SHELL: STEEL
 - RIVET, BOARDLOCK: COPPER ALLOY
- CONTACT PLATING:
 - UNDERPLATE: 50µin NICKEL
 - CONTACT AREA: 30µin GOLD PLATING
 - SOLDER TAILS AREA: 100µin TIN / LEAD FREE (BRIGHTEN TIN/MATTE TIN)
- ELECTRICAL:
 - OPERATION VOLTAGE: 250 VAC MAX.
 - CURRENT RATING: 3 AMPS MAX.
 - CONTACT RESISTANCE: 15 MOHMS MAX.
 - INSULATION RESISTANCE: 3000 MOHM MIN @ 500 VDC
 - DIELECTRIC WITHSTANDING VOLTAGE: 1000 VAC / MINUTE
 - OPERATING TEMPERATURE: -55°C TO +105°C
- CONNECTOR IS PART MARKED: 16C61150 CONEC ABC

APPROVAL # FREIGABE # DEBLOCAGE # AUTORIZACION # APPROVAL

CUSTOMER APPROVAL DATE:

NAME: TITLE:

COMPANY NAME:

APPROVAL # FREIGABE # DEBLOCAGE # AUTORIZACION # APPROVAL

THIS DRAWING MAY NOT BE COPIED OR REPRODUCED IN ANY WAY, AND MAY NOT BE PASSED ON TO A THIRD PARTY, WITHOUT WRITTEN PERMISSION. OWNERSHIP AND COPYRIGHT OF CONEC GmbH. DO NOT ALTER CAD DRAWING BY HAND

Customer Specific Product			tolerance ANG 0 ±0.5 a ±0.5 a ±0.2		scale: 2:1
			dim. in mm		material: SEE NOTES
2007	date	name	title: D-SUB R/A 7.2mm FEMALE		
drawn	15.10.	Lehmenkühler	9pos.		
appd.	15.10.	Mickenbecker	with threaded insert, hex bolt and clip		
norm			dwg no: AutoCAD 2006		
d-old			DIN-A		
a	Origin		16K1A2154-N		
rev.	description	date	part no: 16C61150		
			sh: 1/1		

