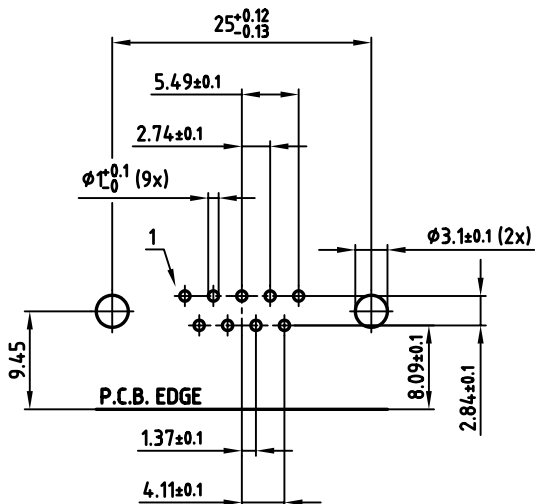
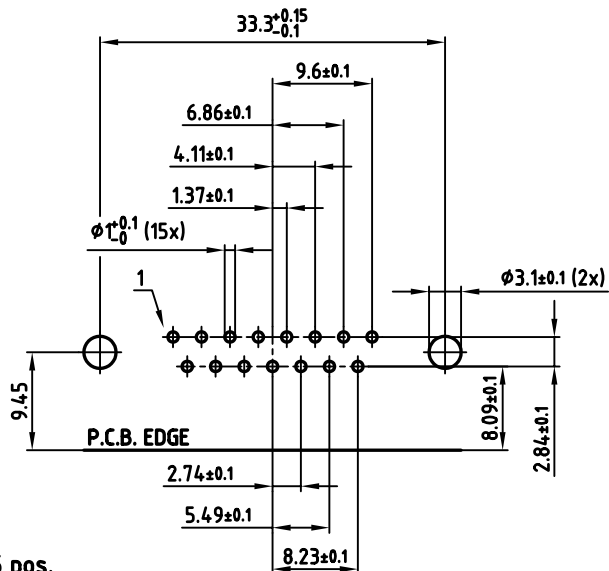


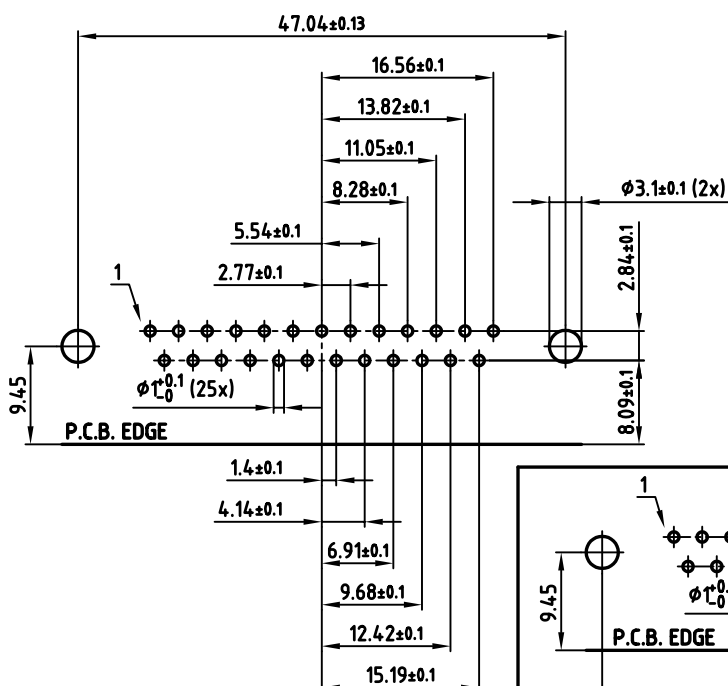
used for: D-SUB



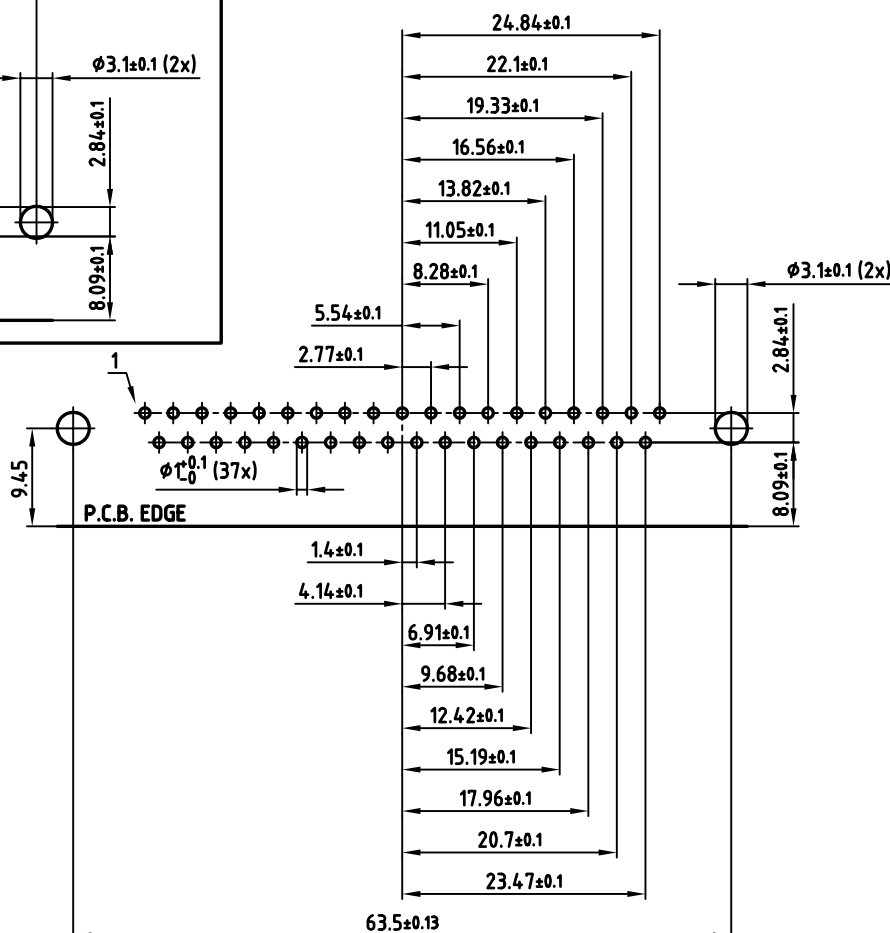
9 pos.



15 pos.



25 pos.



37 pos.

APPROVAL * FREIGABE * DEBLOCAGE * AUTORIZACION * APPROVAL

CUSTOMER APPROVAL DATE:

NAME: TITLE:

COMPANY NAME:

APPROVAL * FREIGABE * DEBLOCAGE * AUTORIZACION * APPROVAL

THIS DRAWING MAY NOT BE COPIED OR REPRODUCED IN ANY WAY, AND MAY NOT BE PASSED ON TO A THIRD PARTY, WITHOUT WRITTEN PERMISSION. OWNERSHIP AND COPYRIGHT OF CONEC GmbH DO NOT ALTER CAD DRAWING BY HAND

rev.	description	date	name
a	Origin		

tolerance		scale:	2:1
	dim. in mm	material:	SEE SHEET 1
2006	date	name	
drawn	08.03.	Lehmenkühler	
appd.	09.03.	Mickenbecker	
norm	DIN 41652		
d-old			
		dwg no:	AutoCAD 2006 DIN-A
		part no:	SEE SHEET 1

title: P.C.B. HOLE DRILLINGS
D-SUB MALE 90° 9-37pos. 0.318inch
with threaded insert, metal bracket and clip

16K2A682

3 sh:2/2