

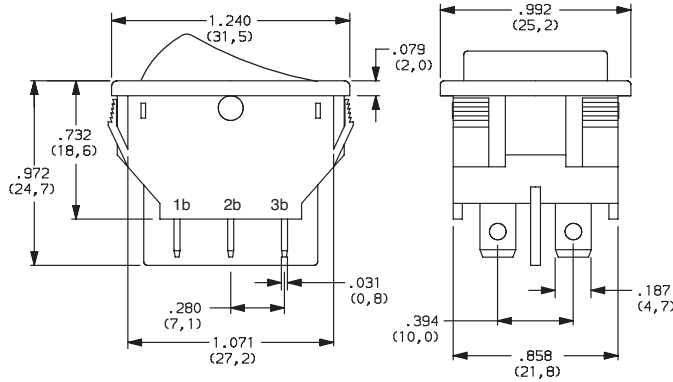
CN Series Double Pole Power Rocker Switches

SWITCH FUNCTION



NO. POLES	MODEL NO.	SWITCH FUNCTION			CONNECTED TERMINALS			SCHEMATIC	
		Pos. 1	Pos. 2	Pos. 3	Pos. 1	Pos. 2	Pos. 3		
		C&K marking on opposite side			C&K marking on opposite side				
DP	CN201	ON	NONE	ON	2-1 4-5	N/A	2-3 6-5		
	CN202	ON	NONE	OFF				OPEN	
	CN22 *	ON	NONE	OFF					

* CN22 - for switches with both marking and illumination

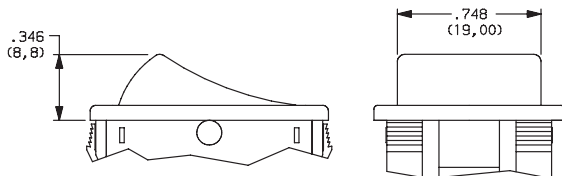


Shown in Pos. 1

ACTUATOR

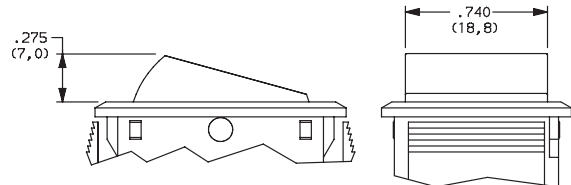


- J1** ROCKER
- J3** ILLUMINATED ROCKER



NOTE: J1 & J3 actuators available with Q contact rating only.
J3 actuator available with CN202 & CN22 switch function only.

- J6** ROCKER
- J8** ILLUMINATED ROCKER



NOTE: J6 & J8 actuators available with QA contact rating only.
J6 actuator available with CN201 & CN202 switch functions,
J8 actuator available with CN202 & CN22 switch function only.



Third Angle
Projection

Dimensions are shown: Inches (mm)
Specifications and dimensions subject to change

www.ck-components.com

Rocker



G

CN Series Double Pole Power Rocker Switches

ACTUATOR COLOR

OPTION CODE	ACTUATOR COLOR
2	BLACK
1	WHITE
3	RED
R	RED, ILLUMINATED
A	AMBER, ILLUMINATED
G	GREEN, ILLUMINATED

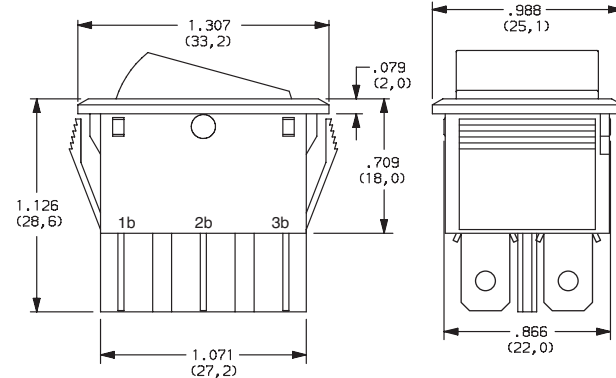
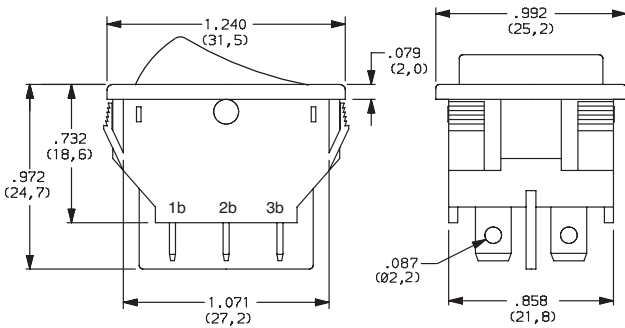
MOUNTING STYLE/COLOR

S2 SNAP-IN, BLACK

S1 SNAP-IN, WHITE

S4 SNAP-IN, BLACK

S3 SNAP-IN, WHITE



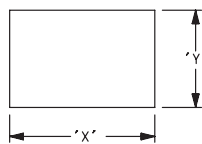
NOTE: Available with 15 termination and Q contact rating only.

Shown in Pos. 1

NOTE: Available with 05 termination and QA contact rating only.

Shown in Pos. 1

PANEL MOUNTING

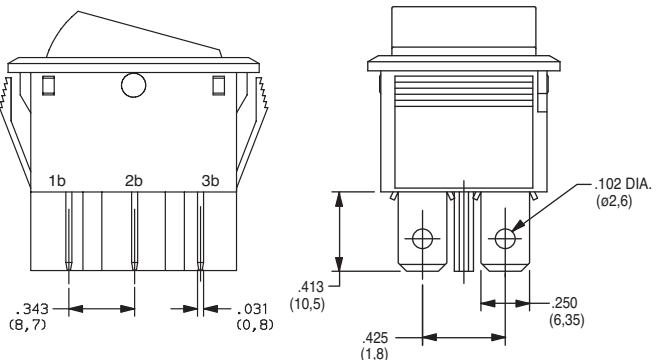
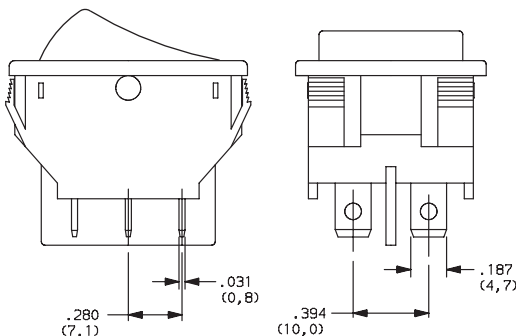


PANEL THICKNESS	"X"	"Y"
0.030-0.049 (0,75-1,25)	1.190-.004 (30,2-0,1)	0.874+.004 (22,2+0,1)
0.049-0.079 (1,25-2,0)	1.197-.004 (30,4-0,1)	0.874+.004 (22,2+0,1)
0.079-0.118 (2,0-3,0)	1.213-.004 (30,8-0,1)	0.874+.004 (22,2+0,1)

TERMINATION

15 .187" QUICK CONNECT

05 .250" QUICK CONNECT



NOTE: Available with S1 & S2 mounting style and Q contact rating only.

Shown in Pos. 1

NOTE: Available with S3 & S4 mounting styles and QA contact rating, CN201 & CN202 switch functions only.

Shown in Pos. 1

Rocker



Third Angle Projection

Dimensions are shown: Inches (mm)
Specifications and dimensions subject to change

www.ck-components.com



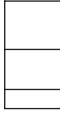
C&K

G

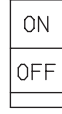
CN Series Double Pole Power Rocker Switches

ACTUATOR MARKING

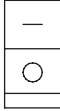
NONE NO MARKING



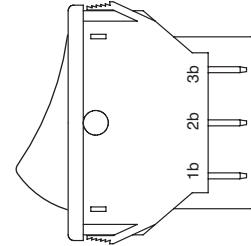
D ON-OFF



H 01



P 0-



NOTE: Orientation of actuator marking and terminals.

Shown in Pos. 1

CONTACT MATERIAL

OPTION CODE	CONTACT AND TERMINAL MATERIAL	RATINGS	
Q	SILVER	POWER	16A @ 125 VAC, 1/8 HP @ 125 V AC; 10 A @ 250 VAC, 1/3 HP @ 250 V AC
QA			

* Note: See Technical Data section of this catalog for RoHS compliant and compatible definitions and specifications.



LAMP RATING

(NONE) NO LAMP

7 125 VAC 33kΩ NEON

8 250 VAC 150kΩ NEON

NOTE: Lamp rating for J3 & J8 actuator options.



Third Angle
Projection

Dimensions are shown: Inches (mm)
Specifications and dimensions subject to change

www.ck-components.com

Rocker



G