

# C&K GT Series Sealed Ultraminiature Toggle Switches

## Features/Benefits

- Sealed against solder and cleaning process contaminants
- Ultraminiature size, smallest footprint available
- Thru-hole and surface mount models
- High temperature materials (UL 94V-0)

## Typical Applications

- Hand-held telecommunications
- Small instrumentation



## Specifications

CONTACT RATING: 0.4 VA max. @ 20 V AC or DC max.  
 MECHANICAL & ELECTRICAL LIFE: 40,000 make-and-break cycles at full load.  
 CONTACT RESISTANCE: Below 50 m Ω typ. initial @ 2-4 V DC, 100 mA.  
 INSULATION RESISTANCE: 10<sup>9</sup> Ω min.  
 DIELECTRIC STRENGTH: 500 Vrms min. @ sea level.  
 OPERATING TEMPERATURE: -30°C to 85°C.  
 SOLDERABILITY: Per MIL-STD-202F method 208D, or EIA RS-186E method 9 (1 hour steam aging).  
 PACKAGING: Surface mount switches shipped in anti-static tape and reel packaging per EIA 481-3, see page F-44 for drawings and reel information. Tape and cover strip are conductive for use near statically sensitive components, consult Customer Service Center.

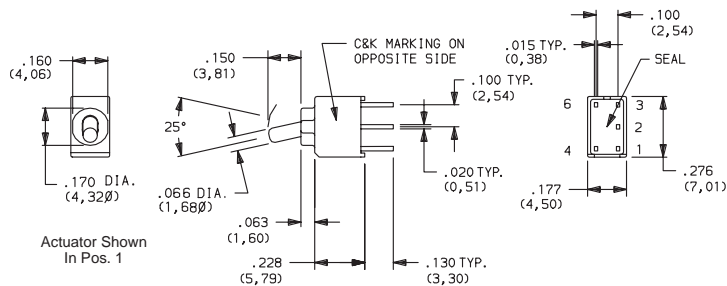
## Materials

HOUSING AND BASE: Glass filled nylon 6/6 or 4/6, flame retardant, heat stabilized (UL 94V-0).  
 ACTUATOR: Glass filled nylon 6/6, flame retardant, heat stabilized (UL 94V-0), with standard internal o-ring seal.  
 SWITCH SUPPORT: Brass, tin plated.  
 MOVABLE CONTACTS: Copper alloy, with gold plate over nickel plate.  
 STATIONARY CONTACTS: Copper alloy, with gold plate over nickel plate.  
 TERMINALS: Copper alloy with tin-lead alloy over nickel plate.  
 TERMINAL SEAL: Epoxy. All terminals insert molded.  
**NOTE:** Specifications and materials listed above are for switches with standard options. For information on specific and custom switches, consult Customer Service Center.

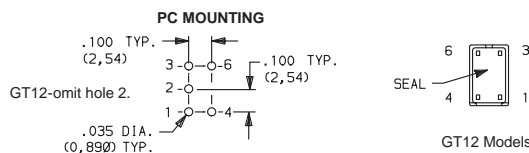
## How To Order

Complete part numbers for GT Series Sealed Ultraminiature Toggle Switches are shown on pages F-39 thru F-43.

PART NUMBER	SWITCH FUNCTION		
	POS.1	POS. 2	POS. 3
<b>GT11MCKE</b> <b>GT13MCKE</b>	ON	NONE	ON
Conn. Terms.	2-3	OPEN	2-1
Schematic			
SPDT	Note: Pins 4 and 6 not connected		
<b>GT12MCKE</b>	OFF	NONE	ON
Conn. Terms.	OPEN	N/A	3-1
Schematic			
SPST	Note: Pins 4 and 6 not connected		

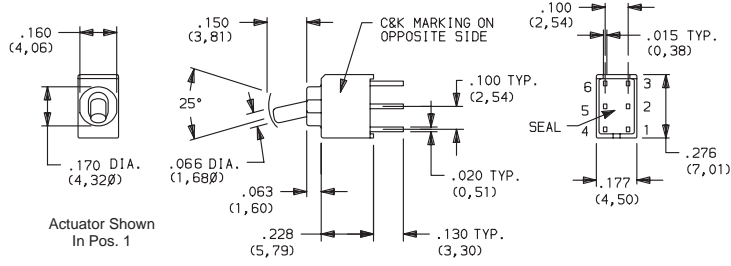


GT11MCKE  
SPDT

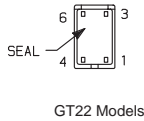
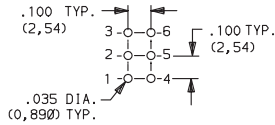


GT12 Models

# C&K GT Series Sealed Ultraminiature Toggle Switches

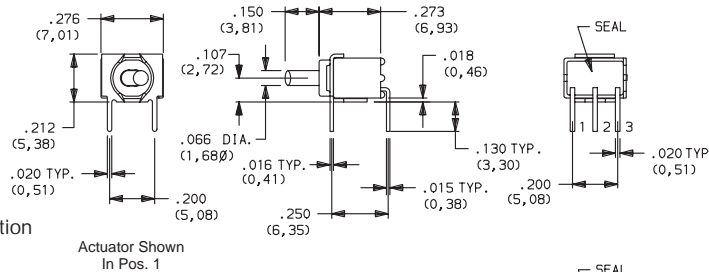


### PC MOUNTING

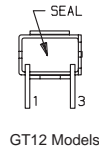
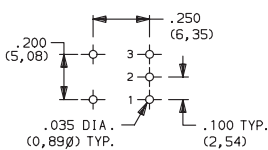


GT22-omit holes 2 & 5.

PART NUMBER	SWITCH FUNCTION		
	POS.1	POS. 2	POS. 3
<b>GT21MCKE</b>	ON	NONE	ON
<b>GT23MCKE</b>	ON	OFF	ON
Conn. Terms.	2-3, 5-6	OPEN	2-1, 5-4
Schematic			
DPDT			
<b>GT22MCKE</b>	OFF	NONE	ON
Conn. Terms.	OPEN	N/A	3-1
Schematic			
DPST			

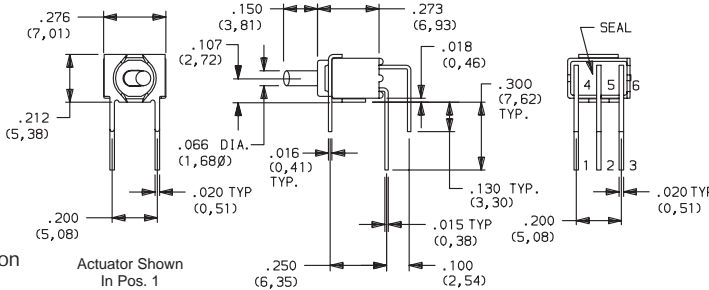


### PC MOUNTING

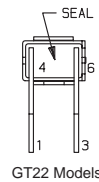
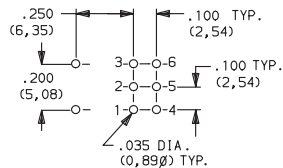


GT12-omit hole 2.

PART NUMBER	SWITCH FUNCTION		
	POS.1	POS. 2	POS. 3
<b>GT11MAKE</b>	ON	NONE	ON
<b>GT13MAKE</b>	ON	OFF	ON
Conn. Terms.	2-3	OPEN	2-1
Schematic			
SPDT			
<b>GT12MAKE</b>	OFF	NONE	ON
Conn. Terms.	OPEN	N/A	3-1
Schematic			
SPST			



### PC MOUNTING



GT22-omit holes 2 & 5.

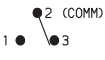

PART NUMBER	SWITCH FUNCTION		
	POS.1	POS. 2	POS. 3
<b>GT21MAKE</b>	ON	NONE	ON
<b>GT23MAKE</b>	ON	OFF	ON
Conn. Terms.	2-3, 5-6	OPEN	2-1, 5-4
Schematic			
DPDT			
<b>GT22MAKE</b>	OFF	NONE	ON
Conn. Terms.	OPEN	N/A	3-1, 6-4
Schematic			
DPST			

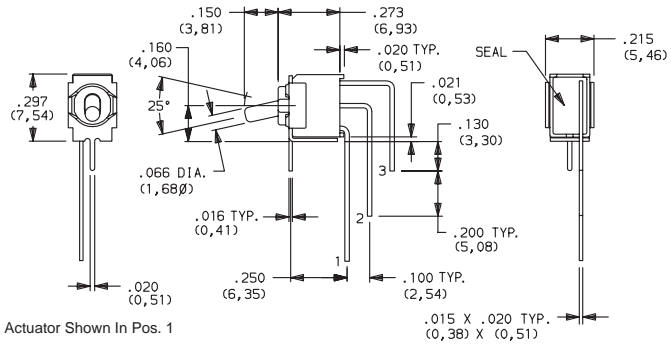


Dimensions are shown: IN (mm)  
Dimensions subject to change

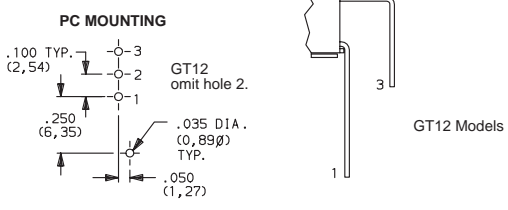
www.ittcannon.com

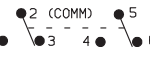

# C&K GT Series Sealed Ultraminiature Toggle Switches

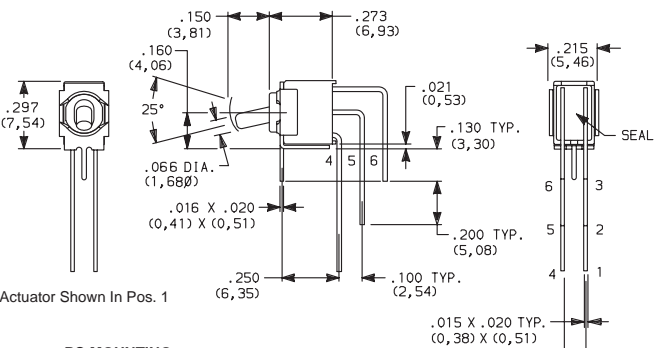
PART NUMBER	SWITCH FUNCTION		
	POS. 1	POS. 2	POS. 3
<b>GT11MAVKE</b>	ON	NONE	ON
<b>GT13MAVKE</b>	ON	OFF	ON
Conn. Terms.	2-3	OPEN	2-1
Schematic			
SPDT			
<b>GT12MAVKE</b>	OFF	NONE	ON
Conn. Terms.	OPEN	N/A	3-1
Schematic			
SPST			



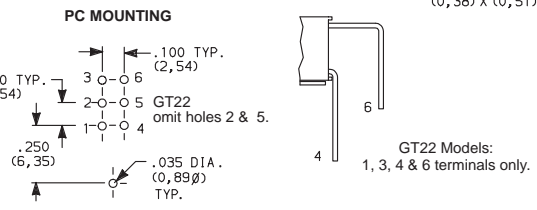
GT11MAVKE  
Vertical Actuation  
SPDT

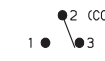



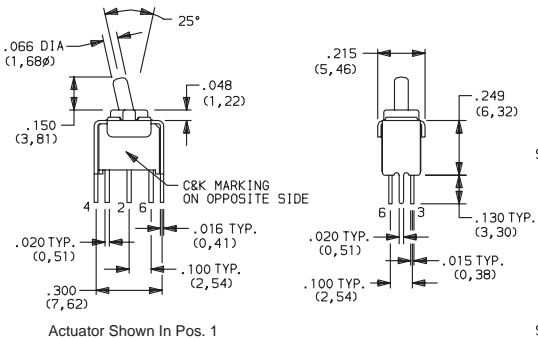
PART NUMBER	SWITCH FUNCTION		
	POS. 1	POS. 2	POS. 3
<b>GT21MAVKE</b>	ON	NONE	ON
<b>GT23MAVKE</b>	ON	OFF	ON
Conn. Terms.	2-3, 5-6	OPEN	2-1, 5-4
Schematic			
DPDT			
<b>GT22MAVKE</b>	OFF	NONE	ON
Conn. Terms.	OPEN	N/A	3-1, 6-4
Schematic			
DPST			



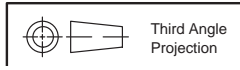
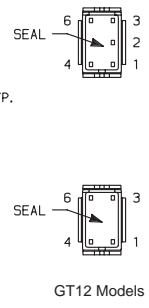
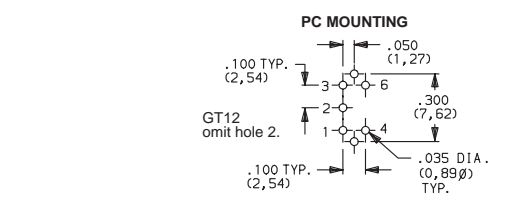
GT21MAVKE  
Vertical Actuation  
DPDT



PART NUMBER	SWITCH FUNCTION		
	POS. 1	POS. 2	POS. 3
<b>GT11MV3KE</b>	ON	NONE	ON
<b>GT13MV3KE</b>	ON	OFF	ON
Conn. Terms.	2-3	OPEN	2-1
Schematic			
SPDT	Note: Pins 4 and 6 not connected		
<b>GT12MV3KE</b>	OFF	NONE	ON
Conn. Terms.	OPEN	N/A	3-1
Schematic			
SPST	Note: Pins 4 and 6 not connected		



GT11MV3KE  
SPDT



Third Angle Projection  
Dimensions are shown: IN (mm)  
Dimensions subject to change



Cannon

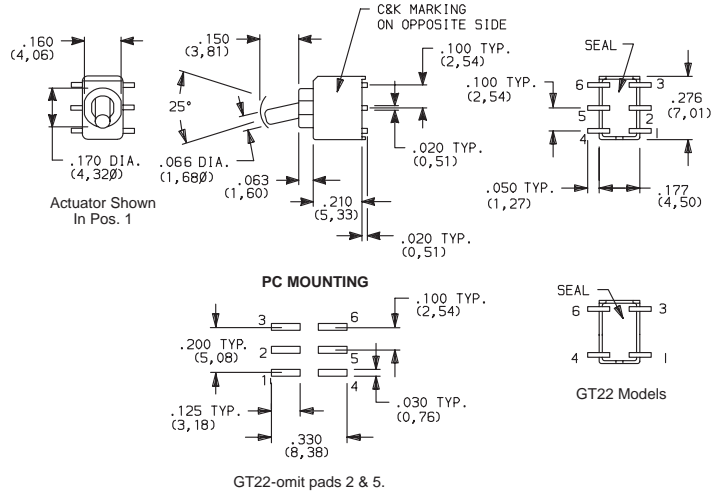




# C&K GT Series Sealed Ultraminiature Toggle Switches

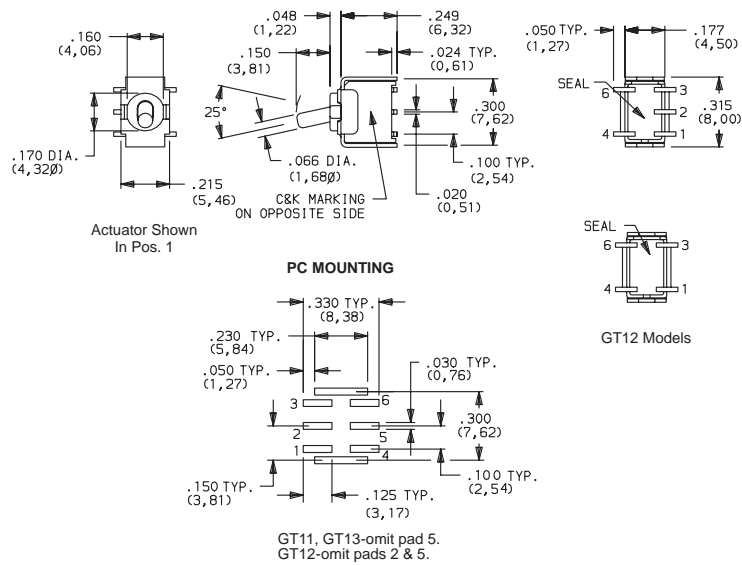
PART NUMBER	SWITCH FUNCTION		
	POS. 1	POS. 2	POS. 3
<b>GT21MSCKETR</b> <b>GT23MSCKETR</b>	ON	NONE	ON
Conn. Terms.	2-3, 5-6	OPEN	2-1, 5-4
Schematic			
DPDT			
<b>GT22MSCKETR</b>	OFF	NONE	ON
Conn. Terms.	OPEN	N/A	3-1, 6-4
Schematic			
DPST			

Standard with tape & reel packaging, see page F-44.



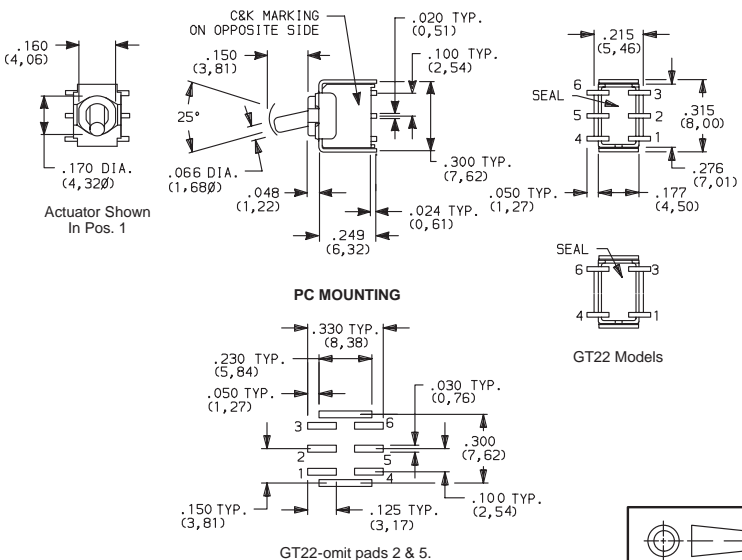
PART NUMBER	SWITCH FUNCTION		
	POS. 1	POS. 2	POS. 3
<b>GT11MSVKETR</b> <b>GT13MSVKETR</b>	ON	NONE	ON
Conn. Terms.	2-3	OPEN	2-1
Schematic			
SPDT	Note: Pins 4 and 6 not connected		
<b>GT12MSVKETR</b>	OFF	NONE	ON
Conn. Terms.	OPEN	N/A	3-1
Schematic			
SPST	Note: Pins 4 and 6 not connected		

Standard with tape & reel packaging, see page F-44.



PART NUMBER	SWITCH FUNCTION		
	POS. 1	POS. 2	POS. 3
<b>GT21MSVKETR</b> <b>GT23MSVKETR</b>	ON	NONE	ON
Conn. Terms.	2-3, 5-6	OPEN	2-1, 5-4
Schematic			
DPDT			
<b>GT22MSVKETR</b>	OFF	NONE	ON
Conn. Terms.	OPEN	N/A	3-1, 6-4
Schematic			
DPST			

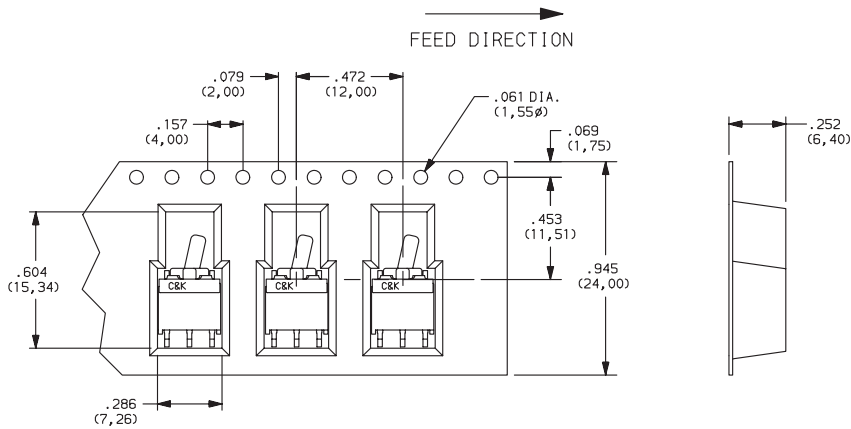
Standard with tape & reel packaging, see page F-44.



# C&K GT Series Sealed Ultraminiature Toggle Switches

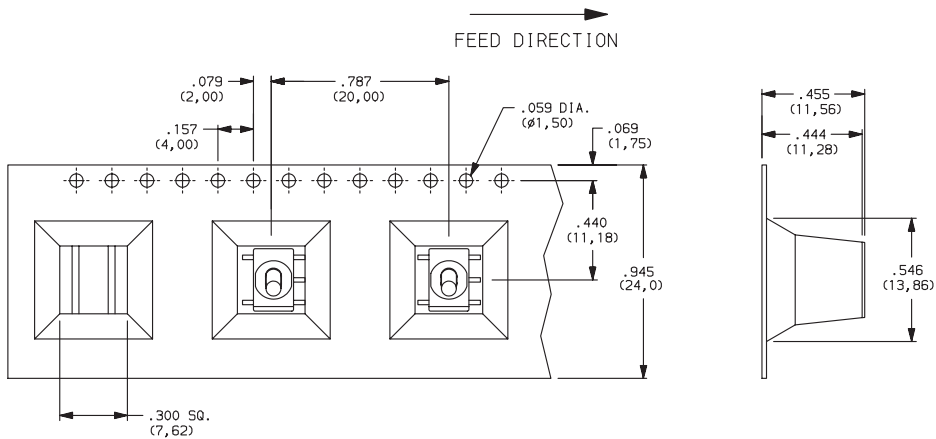
## TAPE & REEL

For part numbers GT11MSAKE, GT12MSAKE, GT13MSAKE



REEL INFORMATION	
OUTSIDE DIAMETER	13.00 (330,0)
PILOT HOLE	.512 (13,0)
QUANTITY PER REEL	600

For part numbers GT11MSCKE, GT12MSCKE, GT13MSCKE, GT21MSCKE, GT22MSCKE, GT23MSCKE, GT11MSVKE, GT12MSVKE, GT13MSVKE, GT21MSVKE, GT22MSVKE, GT23MSVKE



REEL INFORMATION	
OUTSIDE DIAMETER	13.00 (330,0)
PILOT HOLE	.512 (13,0)
QUANTITY PER REEL	200



Toggle