

AR Arktite® Circuit Breaking Round Flange Receptacle Housings for Panel Mounting With Threaded Cap

Weatherproof

30/60/100/200 A, 600 VAC/250 VDC, AP and APJ Plugs

Amps	Style ‡	Description	Recept. Cat. #	Cable Dia.	Plug Cat. #
30	1	3-wire, 3-pole } *	AR6337	0.60 to 1.20	APJ3375
		4-wire, 4-pole } *			
	2	3-wire, 4-pole } *	AR6347		APJ3475
		4-wire, 4-pole } *			
60	1	3-wire, 3-pole } *	AR6637	0.75 to 1.45	APJ6375
		4-wire, 4-pole } *			
	2	3-wire, 4-pole } *	AR6647		APJ6475
		4-wire, 4-pole } *			
100	1	3-wire, 3-pole } *	AR61037	1.00 to 1.70	APJ10377
		4-wire, 4-pole } *			
	2	3-wire, 4-pole } *	AR61047		APJ10477
		4-wire, 4-pole } *			
200	1	3-wire, 3-pole } *	AR62031 ♦	.875 to 1.375 1.875 to 2.500	AP20355
		3-wire, 3-pole } *			
	2	2-wire, 3-pole } *	AR62032 ♦		AP20365
		3-pole } *			

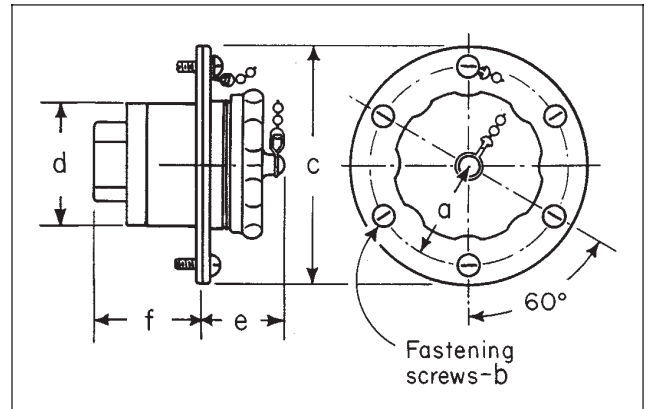
‡ Style 1 – Grounded through shell. Style 2 – Grounded through extra pole and shell.

♦ 200 ampere size is provided with clamp cover.

* Pressure connectors are standard. Crimp/solder type terminators are optionally available for 2, 3 and 4-pole 30 ampere, 3 and 4-pole 60 and 100 ampere. For details, see table on page 938. To specify, add the suffix "T" to the catalog number. For example:

APJ3375-T (Plug) AR6337-T (Receptacle)

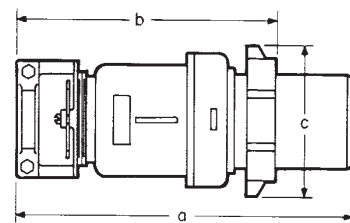
Dimensions



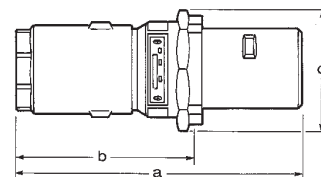
AR Round Flange Receptacles

Description	a	b	c	d	e	f
30 amp. 2, 3, 4-pole	2	12-24	4¾	27/16	15/8	2¼
60 amp. 2, 3-pole	2	12-24	4¾	213/16	17/8	39/8
60 amp. 4-pole	2	12-24	4¾	31/8	17/8	39/8
100 amp. 2, 3-pole	2	12-24	4¾	31/16	17/8	49/16
100 amp. 4-pole	2	12-24	4¾	35/16	17/8	49/16
200 amp. 3-pole	3¾	¾-16	7¾	43/16	27/8	51/8

AP 200A Plugs



APJ 30, 60 and 100A Plugs



Amps	No. Poles	a	b	c
30	2, 3 or 4	6½	413/16	215/16
60	2 or 3	8½	5¾	39/8
60	4	8½	513/16	3¾
100	2 or 3	101/8	69/16	3¾
100	4	101/8	65/8	41/8
200	3	14¾	1011/16	6¾

† These dimensions are approximate and vary with cable size.

AR Arktite® Circuit Breaking Round Flange Receptacle Housings for Panel Mounting

1P

Application:

AR round flange receptacle housings are designed specifically for semi-flush mounting in sheet metal panels or cabinets.

Features:

- Back boxes are not needed for these receptacle assemblies.
- Where wiring behind a panel is exposed and subject to either mechanical injury or contact by personnel, suitable shields or guards should be provided.

Standard Materials:

- Receptacle housings – copper-free aluminum
- Plug exteriors – copper-free aluminum
- Insulation: 30, 60, 100, 200 ampere – fiberglass-reinforced polyester
- Pressure and solder contacts – brass
- Crimp/solder contacts – leaded red brass

Standard Finishes:

- Copper-free aluminum – natural
- Brass – natural
- Fiberglass-reinforced polyester – natural (red)
- Leaded red brass – electro-tin-plate

Options:

Available with these assemblies are:

- Reversed interiors (add suffix S22 to Cat. No.)
 - Special polarity (add suffix S4 to Cat. No.)
- See page 938 for details.

Certifications and Compliances:

- UL Standard: 1682

NOTE: For general information on application, features and grounding, see pages 936 and 937.



AR Receptacle housings with round flange and threaded cap



APJ Plugs with cable grip, Neoprene bushing and fastening ring



AP Plugs with cable grip, Neoprene bushing and fastening ring