

#### Accessories

##### Keys for Locking Switches

Additional keys may be ordered from the Key Selection table.

Key styles shown match those listed for specific switches in the Product Selection tables.



##### Key Selection

Where Used	Catalog Number
General purpose and heavy duty series	<b>13-5496</b>
Security locking bracket	<b>13-8171</b>
7846K1	<b>13-8173</b>

##### Rotary Keylock Brackets—Security Tumbler Type

This series of rotary keylock is designed for use in security applications. They provide a simple method of converting single- and two-pole toggle switches. For use with two- or three-position switches.

##### Key Selection

Where Used	Catalog Number
Key removable in counter-clockwise position	<b>8980P25</b>
Key removable in center position	<b>8980P6</b>
Key removable in clockwise position	<b>8980P27</b>
Key removable in either extreme position	<b>8980P28</b>

#### Technical Data and Specifications

##### Keylock Switches, General Purpose/Heavy Duty—AC/DC Rated

Description	General Purpose	Heavy Duty
Circuits	1PST, 1PDT, 2PST, 2PDT Maintained action	2PST, 2-circuit maintained
Contact mechanism	Quick-make/quick-break wiping action	Slow-make/slow-break butt contact
Contact material	Movable—Bronze silver-plated Stationary—Brass silver-plated	Movable—Silver cadmium oxide Stationary—Silver cadmium oxide

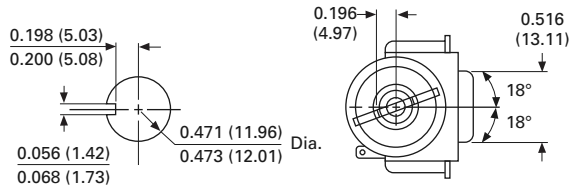
##### Rotary Keylock Brackets

Description	Specification
Bushing	7/8 in dia., 24 threads/inch
Mounting hardware and keys	
1 hexagon locknut	Cat. No. 15-2528-2
1 bright chrome plated dress nut	Cat. No. 15-2528-2 (furnished unassembled)
2 keys	Cat. No. 13-8171
Finish	
Lock bushing	Diecast zinc
Lock barrel and dress nut	Chrome plated brass
Keys	Brass

**Dimensions**

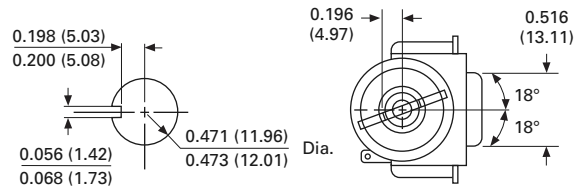
Approximate Dimensions in Inches (mm)

**8928K493—1PST/1PDT**

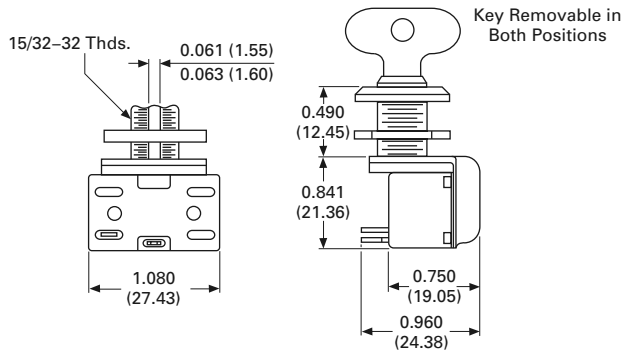


Mtg. Hole

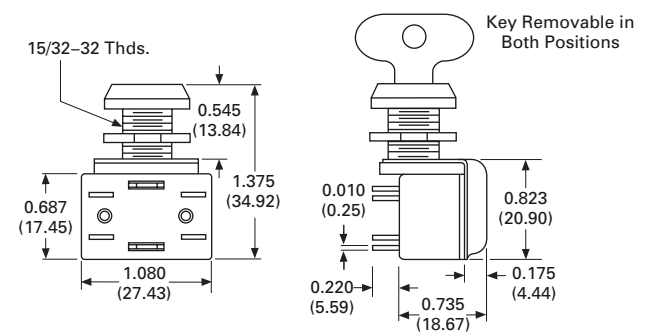
**8373K151—2PST/2PDT**



Mtg. Hole

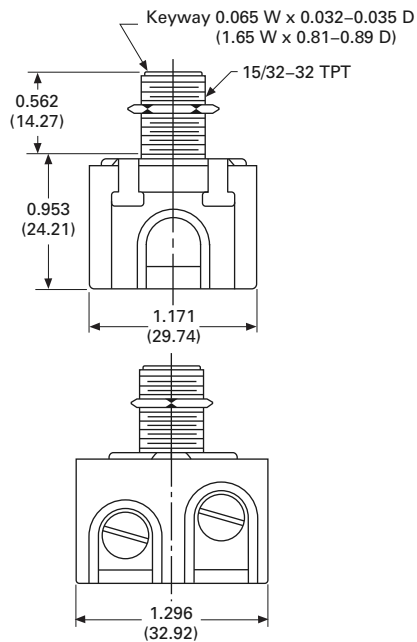


Key Removable in Both Positions

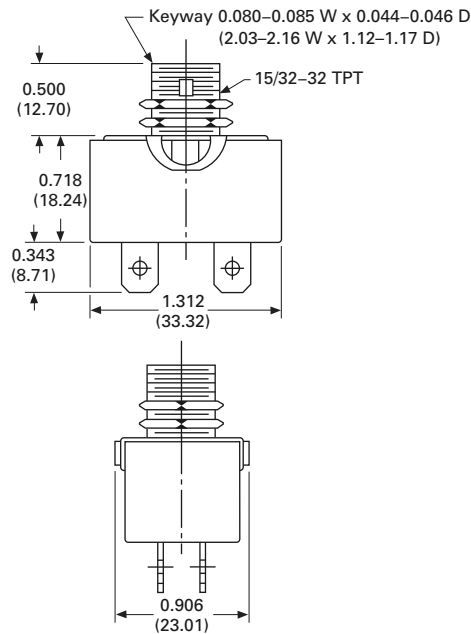


Key Removable in Both Positions

**7842K2—2PST**



**7846K1—2PST**



**8980P27**

