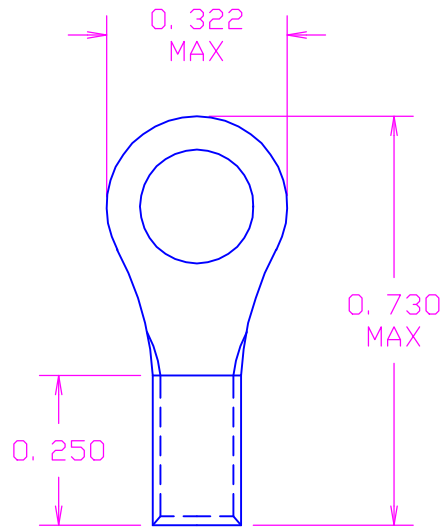


DATE	SYM	REVISION RECORD	AUTH.	DR.	CK.
11/19/99	-	ISSUED	JL	NT	JL



MATERIAL: COPPER, .032"MAX. THICKNESS

WIRE RANGE: 16-14

STUD SIZE: 10

ACTUAL SIZE



TOLERANCES (EXCEPT AS NOTED)	CONCORD		ELECTRONICS CORPORATION
DECIMAL + -	P/N	SCALE	30 GREAT JONES ST. NEW YORK N. Y. 10012
FRACTIONAL + -	TITLE RING TONGUE TERMINAL		
ANGULAR + -	DATE 11/19/99	DRAWING NUMBER 701-2018	