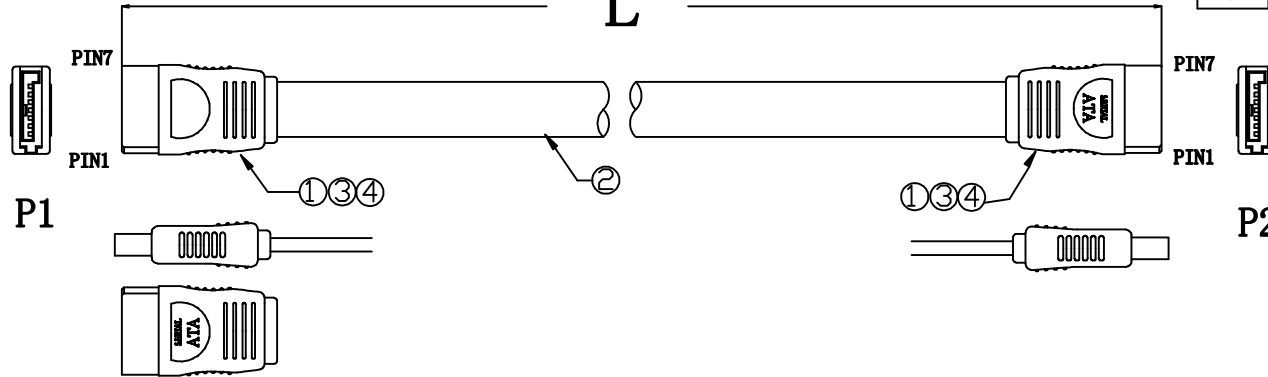


UNIT:MM

REVISION INFORMATION

Rev.	Rev. Date	Modified By	Brief Description
A/0	18-07-04	T0702B	NEW DRAWING

“L”



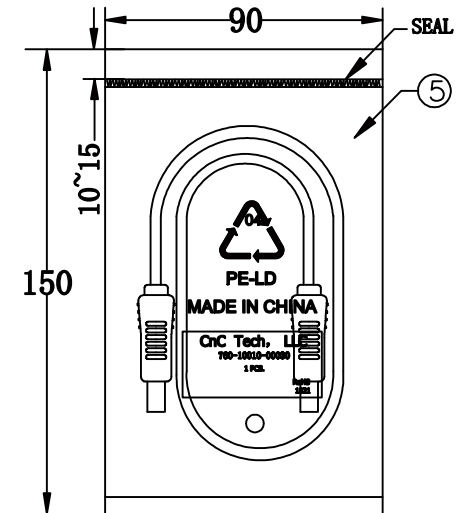
PIN ASSIGNMENT

P1		P2
1	GND	1
2		2
3		3
4	GND	4
5		5
6		6
7	GND	7

TEST REQUEST:

100% OPEN SHORT MIS WIRE TEST
 CONTACT RESESTANCE 1 ohm MIN
 INSULATION RESISTANCE 10M ohm MIN
 HI-POT DC300V/0.1SEC

PART NO	WIRE LENGTH “L”	BUYER COLOR	VENDOR COLOR	CUT LENGTH
760-10010-00030	300±10	RED	RD-16#	285-290MM



⑥	PE BAG	1/10	CLEAR SIZE: 280*330*0.05mm PRINT BLACK*MADE IN CHINA*+*10PCS*
⑤	PE BAG	1	CLEAR SIZE: 90*150*0.05mm PRINT BLACK*MADE IN CHINA*+*1PC*
④	IN JACKET	3g	CLEAR LD-PE
③	OUT JACKET	6g	PVC 45P COLOR BLACK
②	CABLE	1	UL2725 [26AWG(1/0.404)*2+D(1/0.32)*2+AL]*2F OD2.2*7.8mm JACKET RED(RD-16#)
①	CONN	2	SERIAL ATA FEMALE 7PIN CONNECTOR:CRIMP TYPE PIN:15U* INSULATOR:BLACK
NO.	NAME	QTY	SPECIFICATION

CnC Tech, LLC
 Industrial Cable and Connector Technology

DRAWN BY:	DATE: 2018/07/04	DESCRIPTION: 760-10010-00030
CHECKED BY:	SHEET 1 of 1	ITEM NO. As above
APPROVED BY:	SCALE 1:1	REV. A/0 UNIT: mm