

DPXNA (non-environmental, Type IV) and DPXNE (environmental, Types II and III) rack and panel connectors are designed to meet or exceed the requirements of MIL-C-81659, Revision B. They are used in military and aerospace applications and computer periphery equipment requirements, and are designed to operate in temperatures ranging from - 65°C to + 125°C. DPXNA/NE connectors are available in single, 2, 3, and 4 gang configurations

with a total of 12 contact arrangements accommodation contact sizes 12, 16, 20 and 22, and combination standard and coaxial contacts. Contact retention of these crimp snap-in contacts is provided by the LITTLE CAESAR® rear release contact retention assembly. Environmental sealing is accomplished by wire sealing grommets and interfacial seals.

Insert Designator Number

| DPX3NA/DPX3NE | | | | | | | | | | DPX4NA/DPX4NE | | | | | | | | | | | |
|---------------|------|--------|--------|--------|--------|-------|--------|--------|--------|---------------|------|--------|--------|--------|--------|--------|------|--------|--------|--------|--------|
| MS3157 | ITTC | Side A | Side B | Side C | MS3157 | ITTC | Side A | Side B | Side C | MS3157 | ITTC | Side A | Side B | Side C | Side D | MS3157 | ITTC | Side A | Side B | Side C | Side D |
| 0005 | 78M | 26MP | 26MP | 26MP | 0066 | 24M | W8MS | W8MS | W8MS | 0007 | 104M | 26MP | 26MP | 26MP | 26MP | 0063 | 95M | 10W3MP | 10W3MP | W8MP | 67MP |
| 0006 | 78M | 26MS | 26MS | 26MS | 0067 | 122M | W8MP | W8MP | A106S | 0008 | 104M | 26MS | 26MS | 26MS | 26MS | 0064 | 95M | 10W3MS | 10W3MS | W8MS | 67MS |
| 0013 | 120M | 40MP | 40MP | 40MP | 0068 | 122M | W8MS | W8MS | A106P | 0015 | 160M | 40MP | 40MP | 40MP | 40MP | 0085 | 150M | W8MP | W8MP | 67MP | 67MP |
| 0014 | 120M | 40MS | 40MS | 40MS | 0073 | 142M | 67MP | 67MP | W8MP | 0016 | 160M | 40MS | 40MS | 40MS | 40MS | 0086 | 150M | W8MS | W8MS | 67MS | 67MS |
| 0021 | 135M | 45MP | 45MP | 45MP | 0074 | 142M | 67MS | 67MS | W8MS | 0023 | 180M | 45MP | 45MP | 45MP | 45MP | 0095 | 326M | A106S | W8MP | A106S | A106S |
| 0022 | 135M | 45MS | 45MS | 45MS | 0075 | 240M | 67MP | 67MP | A106S | 0024 | 180M | 45MS | 45MS | 45MS | 45MS | 0096 | 326M | A106P | W8MS | A106P | A106P |
| 0029 | 171M | 57MP | 57MP | 57MP | 0076 | 240M | 67MS | 67MS | A106P | 0031 | 228M | 57MP | 57MP | 57MP | 57MP | 0097 | 287M | A106S | 67MP | A106S | W8MP |
| 0030 | 171M | 57MS | 57MS | 57MS | 0079 | A240M | 67MP | A106S | 67MP | 0032 | 228M | 57MS | 57MS | 57MS | 57MS | 0098 | 287M | A106P | 67MS | A106P | W8MS |
| 0037 | 201M | 67MP | 67MP | 67MP | 0080 | A240M | 67MS | A106P | 67MS | 0039 | 268M | 67MP | 67MP | 67MP | 67MP | 0099 | 189M | A106S | 67MP | W8MP | W8MP |
| 0038 | 201M | 67MS | 67MS | 67MS | 0091 | 279M | A106S | A106S | 67MP | 0040 | 268M | 67MS | 67MS | 67MS | 67MS | 0100 | 189M | A106P | 67MS | W8MS | W8MS |
| 0045 | A318 | A106P | A106P | A106P | 0092 | 279M | A106P | A106P | 67MS | 0047 | A424 | A106P | A106P | A106P | A106P | 0101 | 346M | A106S | A106S | 67MP | 67MP |
| 0046 | A318 | A106S | A106S | A106S | 0157 | 244M | A106S | A106S | 32W4MP | 0048 | A424 | A106S | A106S | A106S | A106S | 0102 | 346M | A106P | A106P | 67MS | 67MS |
| 0065 | 24M | W8MP | W8MP | W8MP | 0158 | 244M | A106P | A106P | 32W4MS | | | | | | | | | | | | |

Performance and Material Specifications

MATERIALS AND FINISHES

| Description | Material | Finish |
|--|--|--|
| Shell | Aluminum alloy | Cadmium plating, Type II, Class 3/ QQ-P-416 with yellow chromate finish (underplating may be used) |
| Insulators | Thermoplastic or thermosetting plastic | None |
| Elastomers | Silicone rubber (ITT Cannon Blend) | None |
| Contacts | Copper alloy | Gold plate per MIL-G-45204, Type 1, Grade C, Class 1 with suitable underplating (silver not used) |
| Insulator Retaining Plate | Aluminum alloy | Anodize, blue color |
| Junction Shells (Not available for four gang) | Aluminum alloy | Same as shell |
| Clinch Nuts | Stainless steel | Cadmium Plating |
| Float Mounts | Stainless Steel | None |
| Polarizing Posts | Zinc (die cast) | Cadmium plating |
| Polarizing Keys & Retaining Plate | Nickel Silver | None |
| Screws | Brass | Cadmium plating |
| Lockwashers | Phosphor Bronze | Cadmium plating |

ELECTRICAL

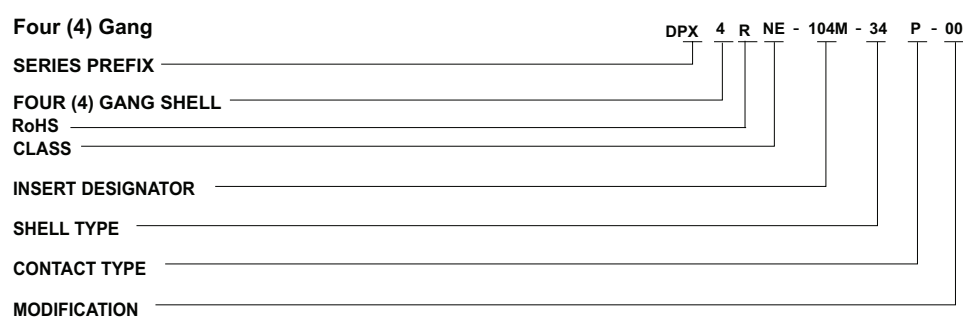
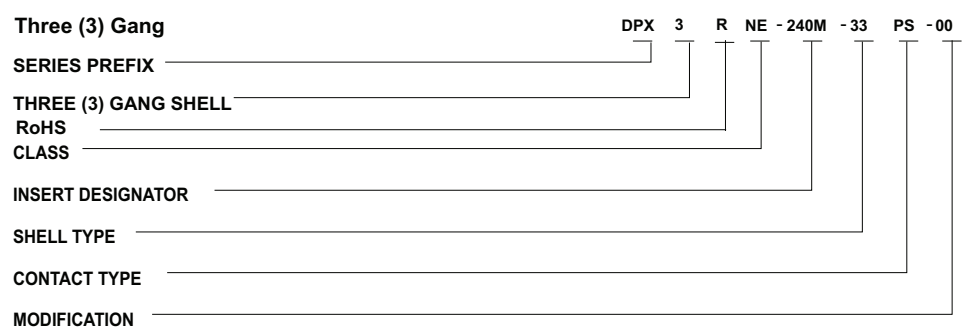
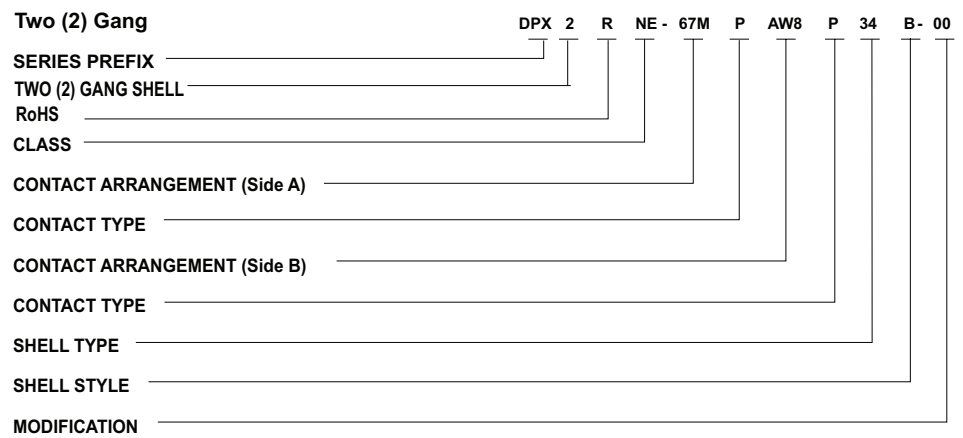
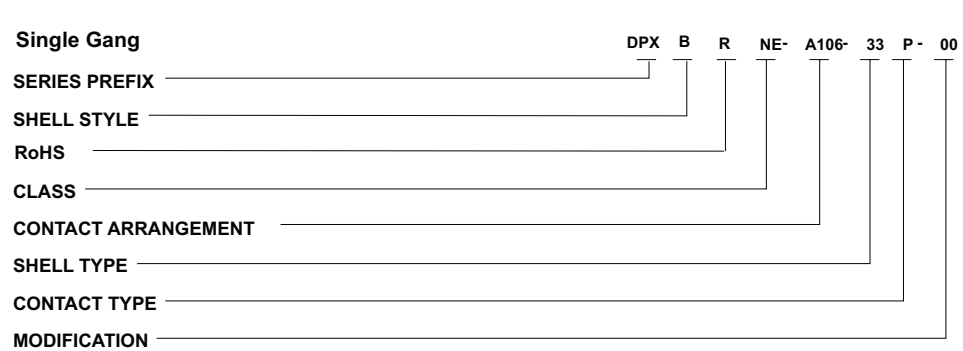
| Contact size | Wire Size | Insulation O.D. Limits (Inch) | Test Current per Mil-C-39029 | Max. Current for Tests (Amps) (Mil-C-39029) | Max. Potential Drop (Millivolts) at 25°C |
|--------------|-----------|-------------------------------|------------------------------|---|--|
| | | Max. | | | |
| 12 | 12 | .135 (3.43) | 23.0 | 23.0 | 63 |
| | 14 | | 17.0 | 17.0 | 60 |
| | 16 | | 13.0 | 13.0 | 68 |
| 16 | 18 | .103 (2.62) | - | - | - |
| | 20 | | 7.5 | - | 75 |
| | 20 | | 7.5 | 7.5 | 83 |
| 20 | 22 | .071 (1.80) | - | - | - |
| | 24 | | 3.0 | 3.0 | 68 |
| | 22 | | 5.0 | 5.0 | 110 |
| 22 | 24 | .054 (1.37) | - | - | - |
| | 26 | | 2.0 | 2.0 | 80 |

Note - The maximum contact resistance listed above is with silver plated wire.

Dimensions shown in inch (mm)
Specifications and dimensions subject to change



How to Order



SERIES PREFIX

DPX - ITT Designation

SHELL STYLE

B - ARINC 'B' Shell

RoHS version

R - RoHS compatible

CLASS (MIL-C-81659B, Class 1)....

NA - Non - Environmental (MIL-C-81659B, Type IV)

NE - Environmental (Mil-C-81659B, Types II and III)

INSERT DESIGNATOR

In the 3 and 4 gang assemblies, the insert designation number represents cumulative (total) contacts. The charts on page 30 denote shell cavity location by layout. (If desired arrangement location is not defined, please consult or local sales engineering office.)

CONTACT ARRANGEMENT

See page 35

SHELL TYPE

'33' for Plug; '34' for Receptacle

CONTACT TYPE

'P' for Pin (Standard on '34' receptacle except A106 layout which has reversed contact sex)

'S' for Socket (Standard on '33' plug except A106 layout which has reversed contact sex)

MODIFICATION CODES

- 00 Standard
- 01 Standard with clinch nuts in the mounting holes.
- 02 Standard with tabs for attaching junction shells.
- 03 Standard with mounting holes .120 dia. countersunk 100° to .230 dia.
- 17 Combination of 01** and 02** (clinch nuts in mounting holes - 34 only and tabs for attaching junction shells).
- 22 Standard with clinch nuts (.33 only).
- 23 Standard with standard floating eyelets.
- 29 Standard except less grommet (NE, pin only).
- 30 Same as - 29** except with tabs for attaching junction shells.
- 33 Same as - 29** except with clinch nuts.
- 37 Same as - 29** except with clinch nuts and tabs for attaching junction shells.
- 39 Standard with standard floating eyelets and tabs for attaching junction shells.

NOTE: For additional modification codes please consult Customer Service.

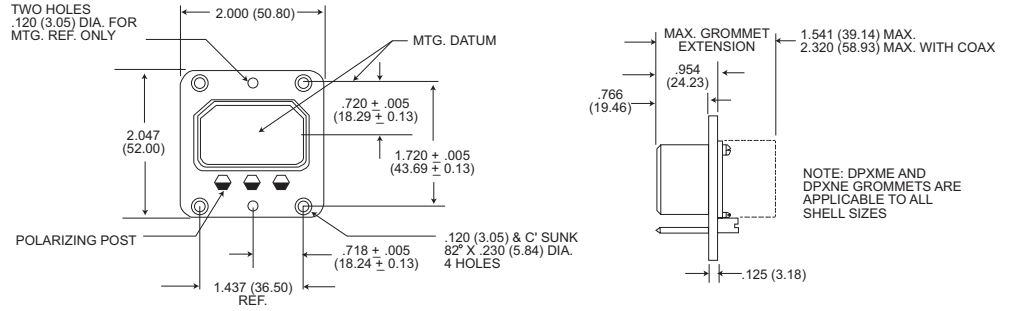
NOTE: On 3 & 4 gang assemblies, combination layouts, the contact type designator of the A106 layout. If applicable, precedes the 67 MS designator for standard contact sex layouts. See three (3) gang nomenclature breakdown above for 240M example (67MS A106P).

Dimensions shown in inch (mm)
Specifications and dimensions subject to change

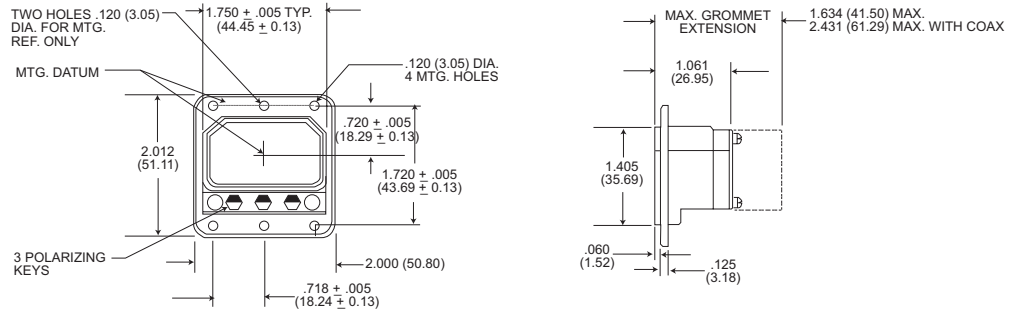


Shell Dimensions

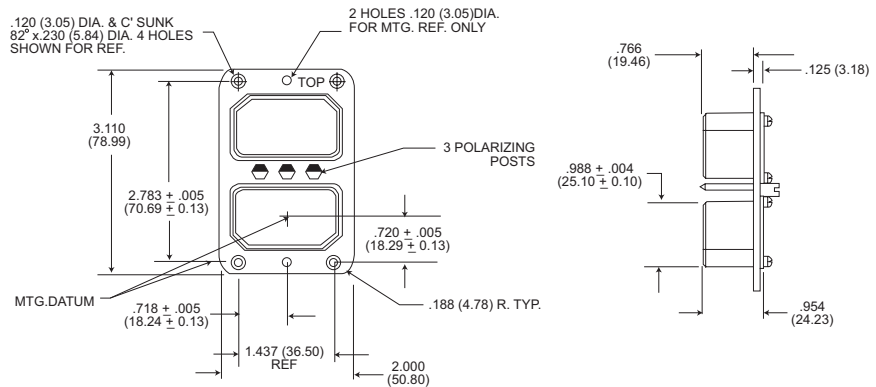
DPXB-33



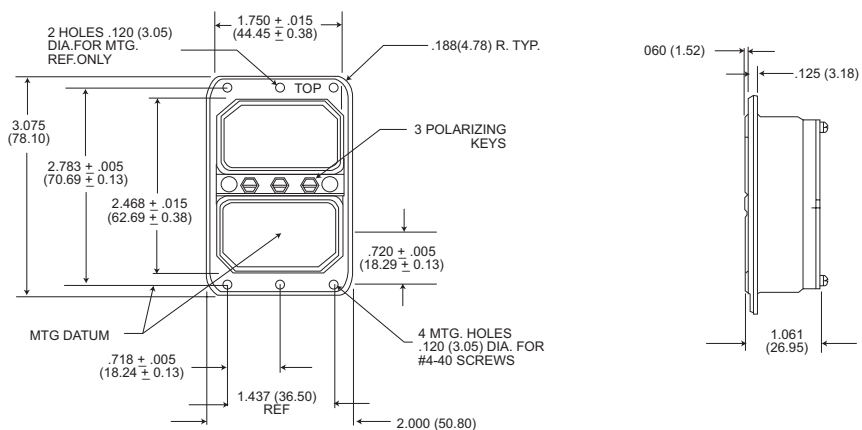
DPXB-34



DPX2-33B



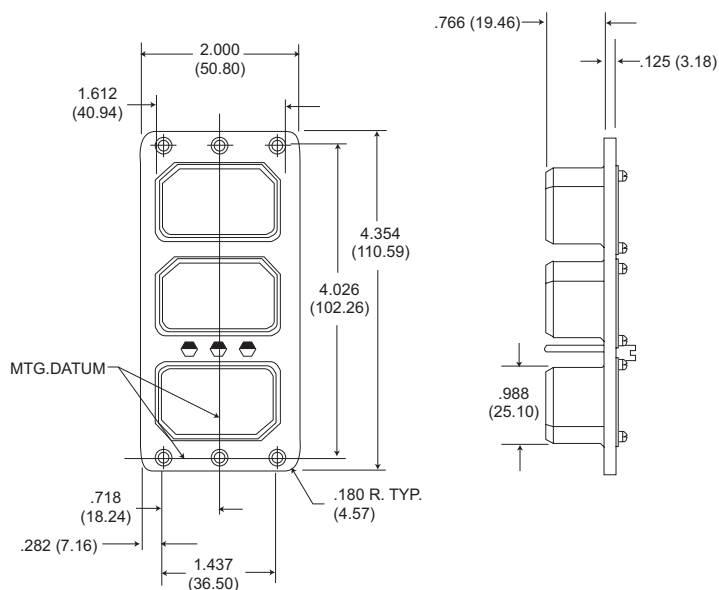
DPX2-34B



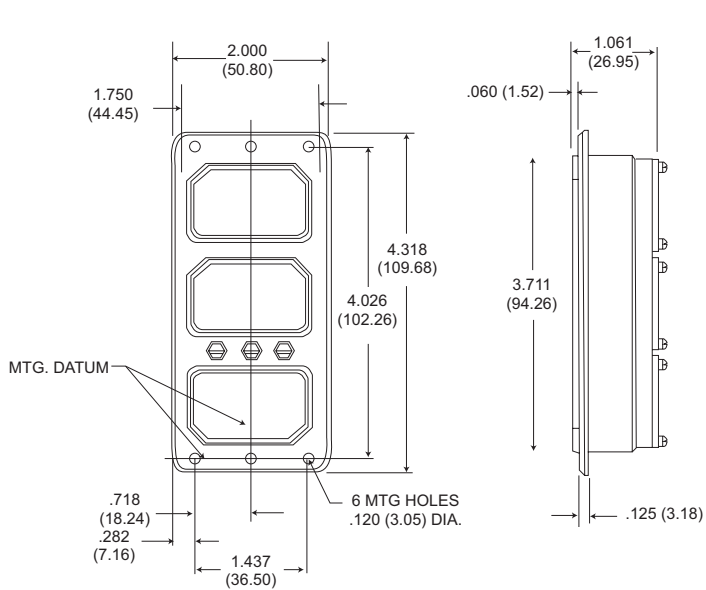
All tolerances ± .015 (0.38) unless otherwise noted.

Shell Dimensions

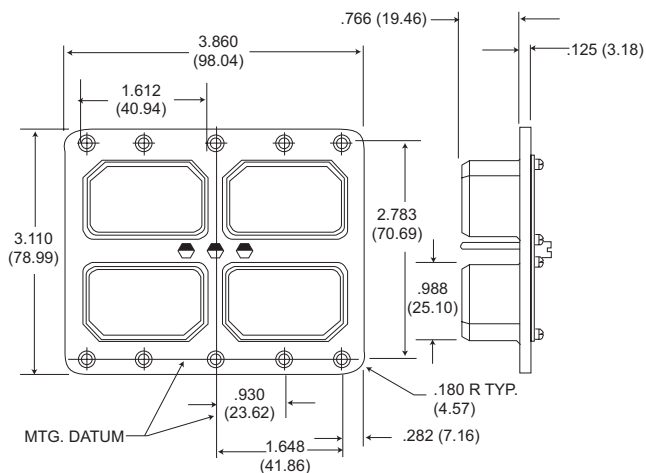
DPX3-33



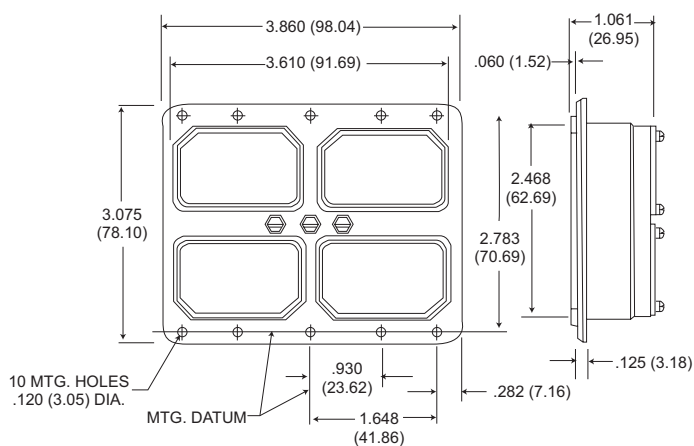
DPX3-34



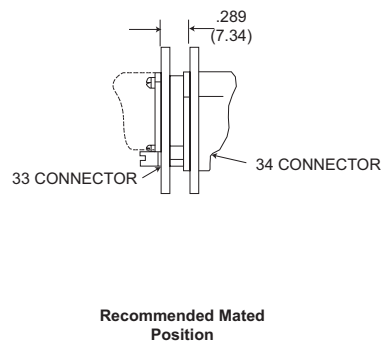
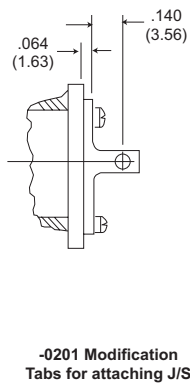
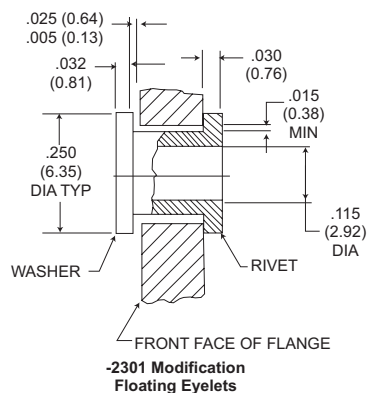
DPX4-33



DPX4-34



Modification Code



All tolerances $\pm .015$ (0.38) unless otherwise noted.
Dimensions shown in inch (mm)

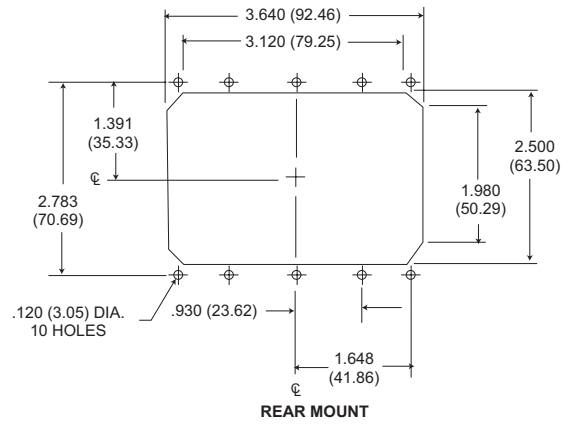
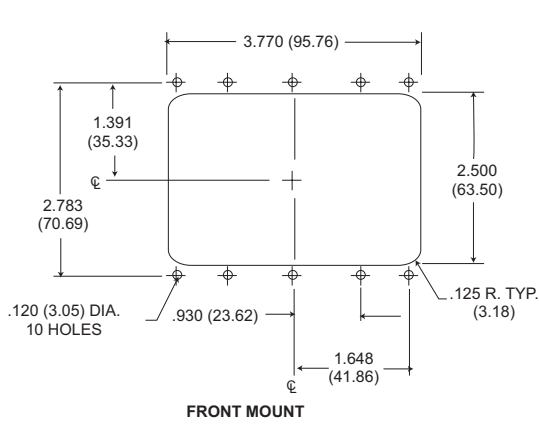
Specifications and dimensions subject to change

www.ittcannon.com



Panel Cutouts

DPX4



All tolerance $\pm .015$ (0.38) unless otherwise noted.

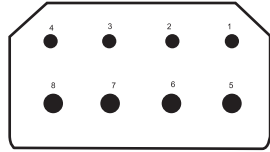
Contact Arrangement

Face View of Pin Insulator Shown.

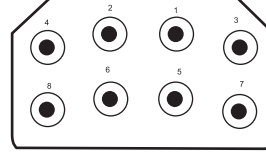
Cross Reference

| | |
|--------|-------|
| MS3157 | ITTC |
| C8 | W8M |
| E8 | D8M |
| 10C3 | 10W3M |
| 26 | 26M |
| 32C2 | 32W2M |
| 32C4 | 32W4M |
| | 33C4M |
| 40 | 40M |
| 40C1 | 40W1M |
| 45 | 45M |
| 57 | 57M |
| 67 | 67M |
| 106 | A106 |

Layout
Contacts
Test Voltage

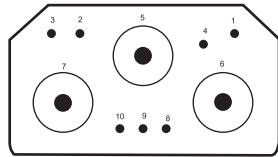


D8M
4 #16, 4 #12
1500

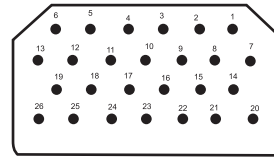


W8M
8 Coaxial*
1000

Layout
Contacts
Test Voltage

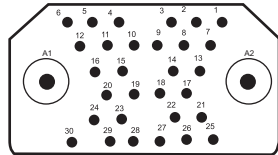


10W3M
7HD #20, 3 Coaxial**
1500
(Coax 1000)

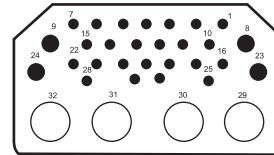


26M
26 #16
1500

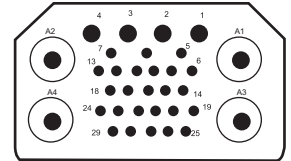
Layout
Contacts
Test Voltage



32W2M
30HD #20, 2 Coaxial†
1500
(Coax 1000)

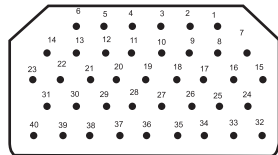


32W4M
24HD #20
4 #16, 4 Coaxial*
1500
(Coax 1000)

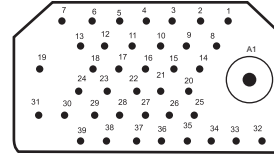


33C4M
25HD #20, 4 Coaxial†, 4 #16
1000

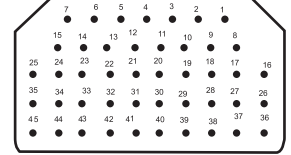
Layout
Contacts
Test Voltage



40M
40HD #20
1500

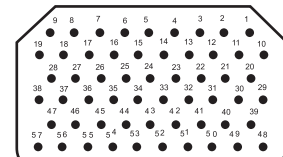


40W1M
39HD #20, 1 COAXIAL†
1500
(COAX 1000)

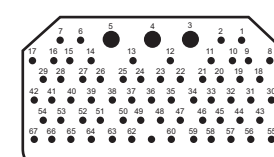


45M
45HD #20
1500

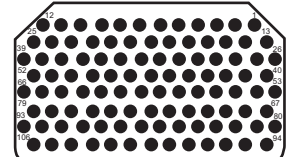
Layout
Contacts
Test Voltage



57M
57 HD #20
1500



67M
64 HD #20, 3 #16
1000



A106
106 #22
1000

*SIZE 9 COAXIAL **SIZE 11 COAXIAL † SIZE 5 COAXIAL

NOTE: All coaxial layouts supplied less coaxial contacts (i.e. W8M, 10W3M, 32W2M, 32W4M, 33C4M, 36W7, 40W1M)

Dimensions shown in inch (mm)
Specifications and dimensions subject to change

www.ittcannon.com



Contact and Termination Tooling Data - Military

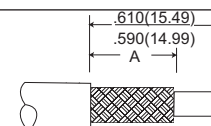
| Contact Size | DPX*NE/NA | | Wire Accom. | Crimp Tool Part Number | Locator Part Number | Insertion/ Extraction Tool | Layout Usage DPX* NE/NA |
|--------------|---------------------------------------|--|-------------|--------------------------|-----------------------------|------------------------------------|--|
| | Pin Part Number (Military Equivalent) | Socket Part Number (Military Equivalent) | | | | | |
| 2222 | 030-1975-008 (M39029/11-144) | 031-1113-008 (M39029/12-148) | 22, 24, 26 | M22520/2-01 | M22520/2-23 | CIT-DPXMA-22 M81969/1-01 | A106 |
| 2020HD | 030-1892-004 (M39029/11-145) | 031-1047-003 (M39029/12-149) | 20, 22, 24 | M22520/2-01 MS-3191-1 | M22520/2-08 Standard | CIT-20 CET-20D-1 M81969/1-02 | 10W3M, 32W2M, 32W4M, 40M, 40W1M, 45M, 57M, 67M, |
| 1616 | 030-9083-012 (M39029/11-146) | 031-1271-000 (M39029/12-150) | 16, 18, 20 | M22520/1-01 MS-3191-1 | M22520/1-02 Std. Locator | CIET-16 | D8M, 26M, 32W4M, 67M |
| 1212 | 030-1909-002 (M39029/11-147) | 031-1059-003 (M39029/12-151) | 12, 14 | M22520/1-01 | M22520/1-11 | CIET-12 | D8M |

*Requires air line pressure of 80 to 100 PSI for CBT-600 and 120 PSI for CBT-600B.

Coaxial Contact Data

Components/Accessories

LITTLE CAESAR® contact retention assembly (W8M, 32W2M, 32W4M & 40W1M contact arrangements)



| Contact Arrangement | Part Number (P=Pin, S = Socket) | | | Cable Accommodation† | | Ins. Dia. Size/Max. | 'A' Trim Dim. | |
|---------------------|---------------------------------|----------------|--------------|----------------------|--------|---------------------|---------------|------------|
| | Without Seal†† | | With Seal | Seal 1 | Seal 2 | | | |
| | A152††† | A176††† | A152††† | | | | | |
| (Size 5 Coax) | P-249-2071-000 | 249-2071-001 | 249-2101-000 | RG180 | RG195U | .158 (4.01) | .260(6.60) | |
| | S-249-2076-000 | 249-2076-001 | 249-2106-000 | | | | .250(6.35) | |
| | P-249-2072-000 | 249-2072-001 | 249-2102-000 | RG58 | X | .196 (4.98) | .260(6.60) | |
| | S-249-2077-000 | 249-2077-001 | 249-2107-000 | | | | .250(6.35) | |
| | 32W2M | P-249-2073-000 | 249-2073-001 | 249-2103-000 | RG142 | X | .196 (4.98) | .260(6.60) |
| | 40W1M | S-249-2078-000 | 249-2078-001 | 249-2108-000 | | | | .250(6.35) |
| | 36W7 | P-249-2074-000 | 249-2074-001 | 249-2104-000 | RG179 | RG174, RG179, | .111 (2.82) | .350(8.89) |
| | 33W4 | S-249-2079-000 | 249-2079-001 | 249-2109-000 | | RG316 | | .330(8.38) |
| (Size 9 Coax) | P-249-2075-000 | 249-2075-001 | 249-2105-000 | RG178 | X | .075 (1.90) | .260(6.60) | |
| | S-249-2080-000 | 249-2080-001 | 249-2110-000 | RG196 | | | .250(6.35) | |
| | W8M | P-249-2081-000 | 249-2081-001 | 249-2111-000 | RG180 | RG195U | .158 (4.01) | .260(6.60) |
| | | S-249-2086-000 | 249-2086-001 | 249-2116-000 | | | | .250(6.35) |
| | | P-249-2082-000 | 249-2082-001 | 249-2112-000 | RG58 | X | .196 (4.98) | .260(6.60) |
| | | S-249-2087-000 | 249-2087-001 | 249-2117-000 | | | | .250(6.35) |
| | | P-249-2083-000 | 249-2083-001 | 249-2113-000 | RG142 | X | .196 (4.98) | .260(6.60) |
| | | S-249-2088-000 | 249-2088-001 | 249-2118-000 | | | | .250(6.35) |
| | 32W4M | P-249-2084-000 | 249-2084-001 | 249-2114-000 | RG179 | RG174, RG179, | .111 (2.82) | .350(8.89) |
| | | S-249-2089-000 | 249-2089-001 | 249-2119-000 | | RG316 | | .330(8.38) |
| | | P-249-2085-000 | 249-2085-001 | 249-2115-000 | RG178U | X | .075 (1.90) | .260(6.60) |
| | | S-249-2090-000 | 249-2090-001 | 249-2120-000 | RG196U | | | .250(6.35) |

NOTES: † Coaxials without the seal accommodates both Seal 1 and Seal 2 cables.
 †† Coaxials without the seal are utilized in DPX*NE connectors supplied less the grommet (modification code: - 29**) and DPX*NA connectors.
 ††† A152 modification code indicates .00005 (0.0010) gold plating on coaxial contacts. (Standard for the DPXNE/NA series.)
 A176 modification code indicates .00002 (0.0005) gold plating on coaxial contacts.

Wire Strip Dimensions



| Wire Strip Dimension | |
|----------------------|----------------------|
| A Dim. | |
| #22 | .130/.110(3.30/2.79) |



Dimensions shown in inch (mm)
 Specifications and dimensions subject to change

www.ittcannon.com

Coaxial Contact Data

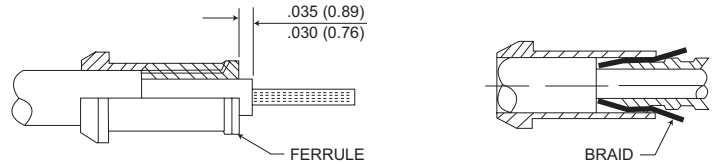
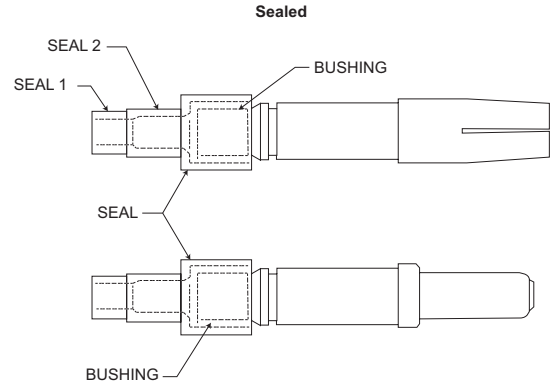
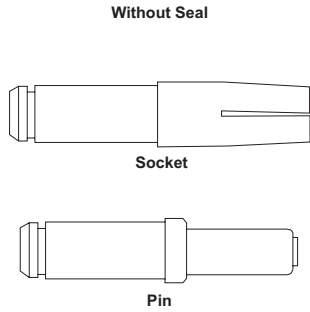
Installation Data

1. Use basic tool M22520/5-01 with Y-211 die (#995-0002-249) for crimping.
2. Use extraction tool No. CET-C8. An insertion tool is not required (See Note 5).
3. Center contact, rear insulator, crimp ring, support bushing (not applicable to RG58/RG142 coaxials), seal sleeve, front insulator, shell and ferrule are shipped unassembled in a common container.

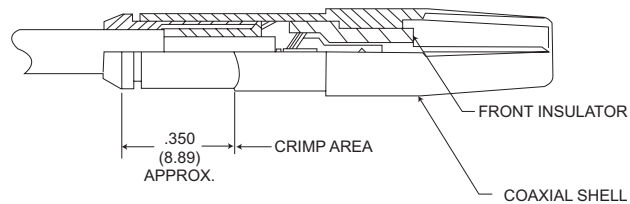
4. Cable Assembly Instructions

- Step 1 - If applicable determine which portion of seal sleeve should be used. If Seal 2 is used, cut off Seal 1 portion.
- Step 2 - In sequence, place seal sleeve, support bushing and crimp ring over cable jacket.
- Step 3 - Trim cable per illustration.
- Step 4 - Comb out braid and flare out ends to permit entry of ferrule.
- Step 5 - Complete termination per illustration.

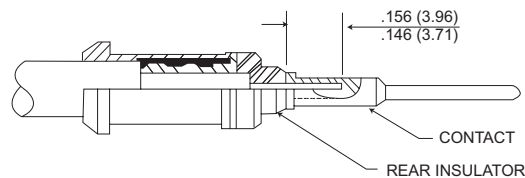
5. To extract coaxial, push back seal sleeve and support bushing. Slip cable into extraction tool. Push tool into insert until contacts coaxial retaining shoulder. Grip both cable and tool with one hand and pull coaxial rearward out of insert cavity.
6. To facilitate extraction of contacts, the length of free cable adjacent to the rear surface of the connector should not be less than 2.000 (50.80).



- A. Push ferrule under braid as far as it will go. Trim off braid extending beyond shoulder of ferrule, if necessary.
- B. While holding ferrule in place pull crimp sleeve forward over braid until it is tight against shoulder on ferrule. Pull firmly against face of ferrule to make sure it is up tight.
- C. Trim dielectric to the .035 (0.89)/.030 (0.76) dimension.



- A. Place front insulator over contact and then push assembly into coaxial shell.
- B. Place parts in jaw of crimp tool. Locate jaws at start of chamber on crimp sleeve. Press sleeve firmly into coaxial shell and crimp.
- C. After assembled coaxial is inserted into connector, push support bushing into grommet until shoulder rests on tubular extension. Then pull sealing sleeve forward until it is snug on grommet.



- A. Carefully push inner conductor through rear insulator.
- B. While holding rear insulator firmly against ferrule, trim conductor to .156 (3.96)/.146 (3.91) dimension.
- C. Place contact over conductor and solder.

Dimensions shown in inch (mm)
 Specifications and dimensions subject to change

www.ittcannon.com

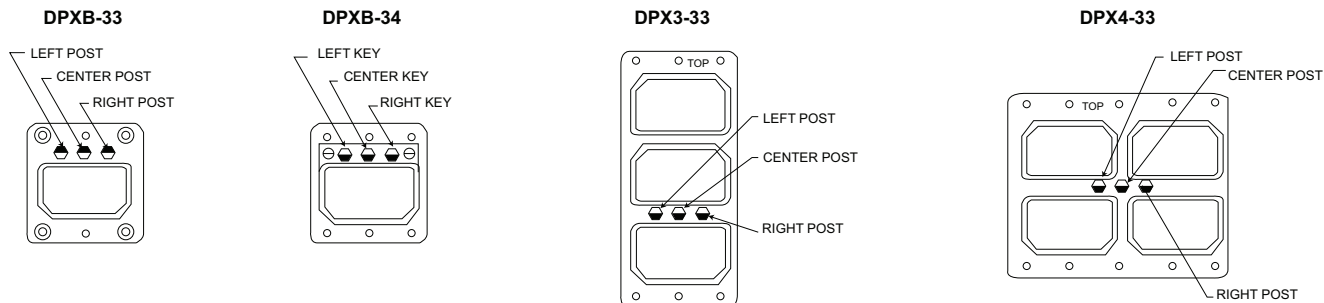


Polarization Positions

MIL-C-81659B requires that polarizing post be shipped unassembled with the connector. The user then assembles the post in the preferred position and marks the position number on the connector. All DPXNA and DPXNE connectors shall be sold this way. The position number will not be marked.



Face View of Engaging End



The last two digits in the four-digit dash number refer to the polarizing post position. The polarizing posts will be shipped unassembled with the connector assembly. The position number is not stamped on the connector. This allows the customer to position the posts themselves and then stamp the appropriate number on the shell.

| 33 PLUG MALE SHELL | | | | | 34 RECEPTACLE FEMALE SHELL | | | | | | | | | | |
|--------------------|-----------|-------------|------------|----------|----------------------------|-------------|------------|----------|-----------|-------------|------------|----------|-----------|-------------|------------|
| Position | Left Post | Center Post | Right Post | Position | Left Post | Center Post | Right Post | Position | Left Post | Center Post | Right Post | Position | Left Post | Center Post | Right Post |
| 01 | 1 | 1 | 1 | 51 | 3 | 2 | 5 | 01 | 4 | 4 | 4 | 51 | 6 | 3 | 2 |
| 02 | 2 | 1 | 1 | 52 | 4 | 2 | 5 | 02 | 4 | 4 | 3 | 52 | 6 | 3 | 1 |
| 03 | 3 | 1 | 1 | 53 | 5 | 2 | 5 | 03 | 4 | 4 | 2 | 53 | 6 | 3 | 6 |
| 04 | 4 | 1 | 1 | 54 | 6 | 2 | 5 | 04 | 4 | 4 | 1 | 54 | 6 | 3 | 5 |
| 05 | 5 | 1 | 1 | 55 | 1 | 2 | 4 | 05 | 4 | 4 | 6 | 55 | 1 | 3 | 4 |
| 06 | 6 | 1 | 1 | 56 | 2 | 2 | 4 | 06 | 4 | 4 | 5 | 56 | 1 | 3 | 3 |
| 07 | 1 | 1 | 6 | 57 | 3 | 2 | 4 | 07 | 5 | 4 | 4 | 57 | 1 | 3 | 2 |
| 08 | 2 | 1 | 6 | 58 | 4 | 2 | 4 | 08 | 5 | 4 | 3 | 58 | 1 | 3 | 1 |
| 09 | 3 | 1 | 6 | 59 | 5 | 2 | 4 | 09 | 5 | 4 | 2 | 59 | 1 | 3 | 6 |
| 10 | 4 | 1 | 6 | 60 | 6 | 2 | 4 | 10 | 5 | 4 | 1 | 60 | 1 | 3 | 5 |
| 11 | 5 | 1 | 6 | 61 | 1 | 2 | 3 | 11 | 5 | 4 | 6 | 61 | 2 | 3 | 4 |
| 12 | 6 | 1 | 6 | 62 | 2 | 2 | 3 | 12 | 5 | 4 | 5 | 62 | 2 | 3 | 3 |
| 13 | 1 | 1 | 5 | 63 | 3 | 2 | 3 | 13 | 6 | 4 | 4 | 63 | 2 | 3 | 2 |
| 14 | 2 | 1 | 5 | 64 | 4 | 2 | 3 | 14 | 6 | 4 | 3 | 64 | 2 | 3 | 1 |
| 15 | 3 | 1 | 5 | 65 | 5 | 2 | 3 | 15 | 6 | 4 | 2 | 65 | 2 | 3 | 6 |
| 16 | 4 | 1 | 5 | 66 | 6 | 2 | 3 | 16 | 6 | 4 | 1 | 66 | 2 | 3 | 5 |
| 17 | 5 | 1 | 5 | 67 | 1 | 2 | 2 | 17 | 6 | 4 | 6 | 67 | 3 | 3 | 4 |
| 18 | 6 | 1 | 5 | 68 | 2 | 2 | 2 | 18 | 6 | 4 | 5 | 68 | 3 | 3 | 3 |
| 19 | 1 | 1 | 4 | 69 | 3 | 2 | 2 | 19 | 1 | 4 | 4 | 69 | 3 | 3 | 2 |
| 20 | 2 | 1 | 4 | 70 | 4 | 2 | 2 | 20 | 1 | 4 | 3 | 70 | 3 | 3 | 1 |
| 21 | 3 | 1 | 4 | 71 | 5 | 2 | 2 | 21 | 1 | 4 | 2 | 71 | 3 | 3 | 6 |
| 22 | 4 | 1 | 4 | 72 | 6 | 2 | 2 | 22 | 1 | 4 | 1 | 72 | 3 | 3 | 5 |
| 23 | 5 | 1 | 4 | 73 | 1 | 3 | 1 | 23 | 1 | 4 | 6 | 73 | 4 | 2 | 4 |
| 24 | 6 | 1 | 4 | 74 | 2 | 3 | 1 | 24 | 1 | 4 | 5 | 74 | 4 | 2 | 3 |
| 25 | 1 | 1 | 3 | 75 | 3 | 3 | 1 | 25 | 2 | 4 | 4 | 75 | 4 | 2 | 2 |
| 26 | 2 | 1 | 3 | 76 | 4 | 3 | 1 | 26 | 2 | 4 | 3 | 76 | 4 | 2 | 1 |
| 27 | 3 | 1 | 3 | 77 | 5 | 3 | 1 | 27 | 2 | 4 | 2 | 77 | 4 | 2 | 6 |
| 28 | 4 | 1 | 3 | 78 | 6 | 3 | 1 | 28 | 2 | 4 | 1 | 78 | 4 | 2 | 5 |
| 29 | 5 | 1 | 3 | 79 | 1 | 3 | 6 | 29 | 2 | 4 | 6 | 79 | 5 | 2 | 4 |
| 30 | 6 | 1 | 3 | 80 | 2 | 3 | 6 | 30 | 2 | 4 | 5 | 80 | 5 | 2 | 3 |
| 31 | 1 | 1 | 2 | 81 | 3 | 3 | 6 | 31 | 3 | 4 | 4 | 81 | 5 | 2 | 2 |
| 32 | 2 | 1 | 2 | 82 | 4 | 3 | 6 | 32 | 3 | 4 | 3 | 82 | 5 | 2 | 1 |
| 33 | 3 | 1 | 2 | 83 | 5 | 3 | 6 | 33 | 3 | 4 | 2 | 83 | 5 | 2 | 6 |
| 34 | 4 | 1 | 2 | 84 | 6 | 3 | 6 | 34 | 3 | 4 | 1 | 84 | 5 | 2 | 5 |
| 35 | 5 | 1 | 2 | 85 | 1 | 3 | 5 | 35 | 3 | 4 | 6 | 85 | 6 | 2 | 4 |
| 36 | 6 | 1 | 2 | 86 | 2 | 3 | 5 | 36 | 3 | 4 | 5 | 86 | 6 | 2 | 3 |
| 37 | 1 | 2 | 1 | 87 | 3 | 3 | 5 | 37 | 4 | 3 | 4 | 87 | 6 | 2 | 2 |
| 38 | 2 | 2 | 1 | 88 | 4 | 3 | 5 | 38 | 4 | 3 | 3 | 88 | 6 | 2 | 1 |
| 39 | 3 | 2 | 1 | 89 | 5 | 3 | 5 | 39 | 4 | 3 | 2 | 89 | 6 | 2 | 6 |
| 40 | 4 | 2 | 1 | 90 | 6 | 3 | 5 | 40 | 4 | 3 | 1 | 90 | 6 | 2 | 5 |
| 41 | 5 | 2 | 1 | 91 | 3 | 3 | 4 | 41 | 4 | 3 | 6 | 91 | 1 | 2 | 4 |
| 42 | 6 | 2 | 1 | 92 | 2 | 3 | 4 | 42 | 4 | 3 | 5 | 92 | 1 | 2 | 3 |
| 43 | 1 | 2 | 6 | 93 | 3 | 3 | 4 | 43 | 5 | 3 | 4 | 93 | 1 | 2 | 2 |
| 44 | 2 | 2 | 6 | 94 | 4 | 3 | 4 | 44 | 5 | 3 | 3 | 94 | 1 | 2 | 1 |
| 45 | 3 | 2 | 6 | 95 | 5 | 3 | 4 | 45 | 5 | 3 | 2 | 95 | 1 | 2 | 6 |
| 46 | 4 | 2 | 6 | 96 | 6 | 3 | 4 | 46 | 5 | 3 | 1 | 96 | 1 | 2 | 5 |
| 47 | 5 | 2 | 6 | 97 | 1 | 3 | 3 | 47 | 5 | 3 | 6 | 97 | 2 | 2 | 4 |
| 48 | 6 | 2 | 6 | 98 | 2 | 3 | 3 | 48 | 5 | 3 | 5 | 98 | 2 | 2 | 3 |
| 49 | 1 | 2 | 5 | 99 | 3 | 3 | 3 | 49 | 6 | 3 | 4 | 99 | 2 | 2 | 2 |
| 50 | 2 | 2 | 5 | | | | | 50 | 6 | 3 | 3 | | | | |

Dimensions shown in inch (mm)

Specifications and dimensions subject to change

www.ittcannon.com



Cross Reference from Military to Cannon Part Numbers

| Military Part Number | Cannon Part Number | Military Part Number | Cannon Part Number | Military Part Number | Cannon Part Number |
|----------------------|----------------------------|----------------------|----------------------------|----------------------|----------------------|
| M81659/29A2-0001 | DPXBNE-26M-33P-00 | M81659/33A2-0122 | DPX2NE-32W2MS40W1MS-33B-00 | M81659/37A2-0005 | DPX3NE-78M-33P-00 |
| 0002 | DPXBNE-26M-33S-00 | 0123 | DPX2NE-32WMP45MP-33B-00 | 0006 | DPX3NE-78M-33S-00 |
| 0009 | DPXBNE-40M-33P-00 | 0124 | DPX2NE-32W2MS45MS-33B-00 | 0013 | DPX3NE-120M-33P-00 |
| 0010 | DPXBNE-40M-33S-00 | 0125 | DPX2NE-32W2MP57MP-33B-00 | 0014 | DPX3NE-120M-33S-00 |
| 0017 | DPXBNE-45M-33P-00 | 0126 | DPX2NE-32W2MS57MS-33B-00 | 0021 | DPX3NE-135M-33P-00 |
| 0018 | DPXBNE-45M-33S-00 | 0127 | DPX2NE-32W2MP67MP-33B-00 | 0022 | DPX3NE-135M-33S-00 |
| 0025 | DPXBNE-57M-33P-00 | 0128 | DPX2NE-32W2MS67MS-33B-00 | 0029 | DPX3NE-171M-33P-00 |
| 0026 | DPXBNE-57M-33S-00 | 0129 | DPX2NE-32W2MPA106S-33B-00 | 0030 | DPX3NE-171M-33S-00 |
| 0033 | DPXBNE-67M-33P-00 | 0130 | DPX2NE-32W2MSA106P-33B-00 | 0037 | DPX3NE-201M-33P-00 |
| 0034 | DPXBNE-67M-33S-00 | 0131 | DPX2NE-40W1MP40W1MP-33B-00 | 0038 | DPX3NE-201M-33S-00 |
| 0041 | DPXBNE-A106-33P-00 | 0132 | DPX2NE-40W1MS40W1MS-33N-00 | 0045 | DPX3NE-A318-33P-00 |
| 0042 | DPXBNE-A106-33S-00 | 0133 | DPX2NE-57MPA106S-33B-00 | 0046 | DPX3NE-A318-33S-00 |
| 0083 | DPXBNE-D8M-33P-00 | 0134 | DPX2NE-57MSA106P-33B-00 | 0065 | DPX3NE-24M-33P-00 |
| 0084 | DPXBNE-D8M-33S-00 | 0145 | DPX2NE-W8MP57MP-33B-00 | 0066 | DPX3NE-24M-33S-00 |
| 0135 | DPXBNE-W8M-33P-00 | 0146 | DPX2NE-W8MS57MS-33B-00 | 0067 | DPX3NE-122M-33SP-00 |
| 0136 | DPXBNE-W8M-33S-00 | 0147 | DPX2NE-57MP26MP-33B-00 | 0068 | DPX3NE-122M-33PS-00 |
| 0137 | DPXBNE-10W3M-33P-00 | 0148 | DPX2NE-57MS25MS-33B-00 | 0073 | DPX3NE-142M-33P-00 |
| 0138 | DPXBNE-10W3M-33S-00 | 0151 | DPX2NE-32W4MPA106S-33B-00 | 0074 | DPX3NE-142M-33S-00 |
| 0139 | DPXBNE-32W2M-33P-00 | 0152 | DPX2NE-32W4MSA106P-33B-00 | 0075 | DPX3NE-240M-33P-00 |
| 0140 | DPXBNE-32W2M-33S-00 | 0155 | DPX2NE-W8MP32W4MP-33B-00 | 0076 | DPX3NE-240M-33S-00 |
| 0141 | DPXBNE-40W1M-33P-00 | 0156 | DPX2NE-W8MS32W4MS-33B-00 | 0079 | DPX3NE-A240M-33SP-00 |
| 0142 | DPXBNE-40W1M-33S-00 | 0159 | DPX2NE-32W4MPW8MP-33B-00 | 0080 | DPX3NE-A240M-33PS-00 |
| 0149 | DPXBNE-32W4M-33P-00 | 0160 | DPX2NE-32W4MSW8MS-33B-00 | 0091 | DPX3NE-279M-33P-00 |
| 0150 | DPXBNE-32W4M-33S-00 | | | 0092 | DPX3NE-279M-33PS-00 |
| M81659/31A2-001 | DPXBNE-26M-33P-00 | M81659/35A2-0003 | DPX2NE-26MP26MP-34B-00 | M81659/39A2-0005 | DPX3NE-78M-34P-00 |
| 0002 | DPXBNE-26M-33S-00 | 0004 | DPX2NE-26MS26MS-34B-00 | 0006 | DPX3NE-78M-34S-00 |
| 0009 | DPXBNE-40M-33P-00 | 0011 | DPX2NE-40MP40MP-34B-00 | 0013 | DPX3NE-120M-34P-00 |
| 0010 | DPXBNE-40M-33S-00 | 0012 | DPX2NE-40MS40MS-34B-00 | 0014 | DPX3NE-120M-34S-00 |
| 0017 | DPXBNE-45M-33P-00 | 0019 | DPX2NE-45MP45MP-34B-00 | 0021 | DPX3NE-135M-34P-00 |
| 0018 | DPXBNE-45M-33S-00 | 0020 | DPX2NE-45MS45MS-34B-00 | 0022 | DPX3NE-135M-34S-00 |
| 0025 | DPXBNE-57M-33P-00 | 0027 | DPX2NE-57MP57MP-34B-00 | 0029 | DPX3NE-171M-34P-00 |
| 0026 | DPXBNE-57M-33S-00 | 0028 | DPX2NE-57MS57MS-34B-00 | 0030 | DPX3NE-171M-34S-00 |
| 0033 | DPXBNE-67M-33P-00 | 0035 | DPX2NE-67MP67MP-34B-00 | 0037 | DPX3NE-201M-34P-00 |
| 0034 | DPXBNE-67M-33S-00 | 0036 | DPX2NE-67MS67MS-34B-00 | 0038 | DPX3NE-201M-34S-00 |
| 0041 | DPXBNE-A106-33P-00 | 0043 | DPX2NE-A106PA106P-34B-00 | 0045 | DPX3NE-A318-34P-00 |
| 0042 | DPXBNE-A106-33S-00 | 0044 | DPX2NE-A106SA106S-34B-00 | 0046 | DPX3NE-A318-34S-00 |
| 0083 | DPXBNE-D8M-33P-00 | 0057 | DPX2NE-A106S26MP-34B-00 | 0065 | DPX3NE-24M-34P-00 |
| 0084 | DPXBNE-D8M-33S-00 | 0058 | DPX2NE-A106P26MS-34B-00 | 0066 | DPX3NE-24M-34S-00 |
| 0135 | DPXBNE-W8M-33P-00 | 0059 | DPX2NE-26MPA106S-34B-00 | 0067 | DPX3NE-122M-34SP-00 |
| 0136 | DPXBNE-W8M-33S-00 | 0060 | DPX2NE-W8MSA106P-34B-00 | 0068 | DPX3NE-122M-34PS-00 |
| 0137 | DPXBNE-10W3M-33P-00 | 0071 | DPX2NE-67MPA106S-34B-00 | 0073 | DPX3NE-142M-34P-00 |
| 0138 | DPXBNE-10W3M-33S-00 | 0072 | DPX2NE-67MSA106P-34B-00 | 0074 | DPX3NE-142M-34S-00 |
| 0139 | DPXBNE-32W2M-33P-00 | 0087 | DPX2NE-A106SW8MP-34B-00 | 0075 | DPX3NE-240M-34P-00 |
| 0140 | DPXBNE-32W2M-33S-00 | 0088 | DPX2NE-A106PW8MS-34B-00 | 0076 | DPX3NE-240M-34S-00 |
| 0141 | DPXBNE-40W1M-33P-00 | 0089 | DPX2NE-A106S67MP-34B-00 | 0079 | DPX3NE-A240M-34SP-00 |
| 0142 | DPXBNE-40W1M-33S-00 | 0090 | DPX2NE-A106P67MS-34B-00 | 0080 | DPX3NE-A240M-34PS-00 |
| 0149 | DPXBNE-32W4M-33P-00 | 0109 | DPX2NE-C2P40W1MP-34B-00 | 0091 | DPX3NE-279M-34SP-00 |
| 0150 | DPXBNE-32W4M-33S-00 | 0110 | DPX2NE-C2S40W1MS-34B-00 | 0092 | DPX3NE-244M-34PS-00 |
| M81659/33A2-0003 | DPX2NE-26MP26MP-33B-00 | 0111 | DPX2NE-C2P57MP-34B-00 | 0157 | DPX3NE-244M-34SP-00 |
| 0004 | DPX2NE-26MS26MS-33B-00 | 0112 | DPX2NE-C2S57MS-34B-00 | 0158 | DPX3NE-244M-34PS-00 |
| 0011 | DPX2NE-40MP40MP-33B-00 | 0113 | DPX2NE-AC3P67MP-34B-00 | | |
| 0012 | DPX2NE-40MS40MS-33B-00 | 0114 | DPX2NE-AC3S67MS-34B-00 | M81659/41A2-0007 | DPX4NE-104M-33P-00 |
| 0019 | DPX2NE-45MP45MP-33B-00 | 0115 | DPX2NE-AC3PA106S-34B-00 | 0008 | DPX4NE-104M-33S-00 |
| 0020 | DPX2NE-45MS45MS-33B-00 | 0116 | DPX2NE-AC3SA106P-34B-00 | 0015 | DPX4NE-160M-33P-00 |
| 0027 | DPX2NE-57MP57MP-33B-00 | 0117 | DPX2NE-W8MPA106S-34B-00 | 0016 | DPX4NE-160M-33S-00 |
| 0028 | DPX2NE-57MS57MS-33B-00 | 0118 | DPX2NE-W8MSA106P-34B-00 | 0023 | DPX4NE-180M-33P-00 |
| 0035 | DPX2NE-67MP67MP-33B-00 | 0119 | DPX2NE-10W3P32W2MP-34B-00 | 0024 | DPX4NE-180M-33S-00 |
| 0036 | DPX2NE-67MS67MS-33B-00 | 0120 | DPX2NE-10W3S32W2MS-34B-00 | 0031 | DPX4NE-228M-33P-00 |
| 0043 | DPX2NE-A106PA106P-33B-00 | 0121 | DPX2NE-32W2MP40W1MP-34B-00 | 0032 | DPX4NE-228M-33S-00 |
| 0044 | DPX2NE-A106SA106S-33B-00 | 0122 | DPX2NE-32W2MS40W1MS-34B-00 | 0039 | DPX4NE-268M-33P-00 |
| 0057 | DPX2NE-A106S26MP-33B-00 | 0123 | DPX2NE-32W2MP45MP-34B-00 | 0040 | DPX4NE-268M-33S-00 |
| 0058 | DPX2NE-A106P26MS-33B-00 | 0124 | DPX2NE-32W3MS45MS-34B-00 | 0047 | DPX4NE-A424-33P-00 |
| 0059 | DPX2NE-26MPA106S-33B-00 | 0125 | DPX2NE-32W2MP57MP-34B-00 | 0048 | DPX4NE-A424-33S-00 |
| 0060 | DPX2NE-26MSA106P-33B-00 | 0126 | DPX2NE-32W3MS57MS-34B-00 | 0061 | DPX4NE-104M-33P-00 |
| 0071 | DPX2NE-67MPA106S-33B-00 | 0127 | DPX2NE-32W2MP67MP-34B-00 | 0062 | DPX4NE-104M-33S-00 |
| 0072 | DPX2NE-67MSA106P-33B-00 | 0128 | DPX2NE-32W2MS67MS-34B-00 | 0063 | DPX4NE-95M-33P-00 |
| 0087 | DPX2NE-A106PW8MP-33B-00 | 0129 | DPX2NE-32W2MPA106S-34B-00 | 0064 | DPX4NE-95M-33S-00 |
| 0088 | DPX2NE-A106PW8MS-33B-00 | 0130 | DPX2NE-32W2MSA106P-34B-00 | 0085 | DPX4NE-150M-33P-00 |
| 0089 | DPX2NE-A106S67MP-33B-00 | 0131 | DPX2NE-40W1MP40W1MP-34B-00 | 0086 | DPX4NE-150M-33S-00 |
| 0090 | DPX2NE-A106P67MS-33B-00 | 0132 | DPX2NE-40W1MS40W1MS-34B-00 | 0095 | DPX4NE-326M-33SP-00 |
| 0109 | DPX2NE-C2P40W1MP-33B-00 | 0133 | DPX2NE-57MPA106S-34B-00 | 0096 | DPX4NE-326M-33PS-00 |
| 0110 | DPX2NE-C2S40W1MS-33B-00 | 0134 | DPX2NE-57MSA106P-34B-00 | 0097 | DPX4NE-287M-33SP-00 |
| 0111 | DPX2NE-C2P57MP-33B-00 | 0145 | DPX2NE-W8MP57MP-34B-00 | 0098 | DPX4NE-287M-33PS-00 |
| 0112 | DPX2NE-C2S57MS-33B-00 | 0146 | DPX2NE-W8MS57MS-34B-00 | 0099 | DPX4NE-189M-33SP-00 |
| 0113 | DPX2NE-AC3P67MP-33B-00 | 0147 | DPX2NE-57MP26MP-34B-00 | 0100 | DPX4NE-189M-33PS-00 |
| 0114 | DPX2NE-AC3S67MS-33B-00 | 0148 | DPX2NE-57MS26MS-34B-00 | 0101 | DPX4NE-346M-33SP-00 |
| 0115 | DPX2NE-AC3PA106S-33B-00 | 0151 | DPX2NE-32W4MPA106S-34B-00 | 0102 | DPX4NE-346M-33PS-00 |
| 0116 | DPX2NE-AC3SA106P-33B-00 | 0152 | DPX2NE-32W4MSA106P-34B-00 | | |
| 0117 | DPX2NE-W8MPA106S-33B-00 | 0155 | DPX2NE-W8MP32W4MP-34B-00 | | |
| 0118 | DPX2NE-W8MSA106P-33B-00 | 0156 | DPX2NE-W8MS32W4MS-34B-00 | | |
| 0119 | DPX2NE-10W3MP32W2MP-33B-00 | 0159 | DPX2NE-32W4MPW8MP-34B-00 | | |
| 0120 | DPX2NE-10W3MS32W2MS-33B-00 | 0160 | DPX2NE-32W4MSW8MS-34B-00 | | |
| 0121 | DPX2NE-32W2MP40W1MP-33B-00 | | | | |

Dimensions shown in inch (mm)
 Specifications and dimensions subject to change



Cross Reference from Military to Cannon Part Numbers (Continued)

| Military Part Number | Cannon Part Number | Military Part Number | Cannon Part Number | Military Part Number | Cannon Part Number |
|----------------------|---------------------------|----------------------|----------------------------|----------------------|---------------------|
| M81659/43A2-0007 | DPX4NE-104M-34P-00 | M81659/62A2-0121 | DPX2NE-32W2MP40W1MP-34S-29 | M81659/65A2-0026 | DPXBNA-57M-33S-00 |
| 0008 | DPX4NE-104M-34S-00 | 0122 | DPX2NE-32W2MP40W1MS-34B-29 | 0033 | DPXBNA-67M-33P-00 |
| 0015 | DPX4NE-160M-34P-00 | 0123 | DPX2NE-32W2MP45MP-34B-29 | 0034 | DPXBNA-67M-33S-00 |
| 0016 | DPX4NE-160M-34S-00 | 0124 | DPX2NE-32W2MS45MS-34B-29 | 0041 | DPXBNA-A106-33P-00 |
| 0023 | DPX4NE-180M-34P-00 | 0125 | DPX2NE-32W2MP57MP-34B-29 | 0042 | DPXBNA-A106-33S-00 |
| 0024 | DPX4NE-180M-34S-00 | 0126 | DPX2NE-32W2MS57MS-34B-29 | 0083 | DPXBNA-D8M-33P-00 |
| 0031 | DPX4NE-228M-34P-00 | 0127 | DPX2NE-32W2MP67MP-34B-29 | 0084 | DPXBNA-D8M-33S-00 |
| 0032 | DPX4NE-228M-34S-00 | 0128 | DPX2NE-32W2MS67MS-34B-29 | 0135 | DPXBNA-W8M-33P-00 |
| 0039 | DPX4NE-268M-34P-00 | 0129 | DPX2NE-32W2MPA106S-34B-29 | 0136 | DPXBNA-W8M-33S-00 |
| 0040 | DPX4NE-268M-34S-00 | 0130 | DPX2NE-32W2MSA106P-34B-29 | 0137 | DPXBNA-10W3M-33P-00 |
| 0047 | DPX4NE-A424-34P-00 | 0131 | DPX2NE-40W1MP40W1MP-34B-29 | 0138 | DPXBNA-10W3M-33S-00 |
| 0048 | DPX4NE-A424-34S-00 | 0132 | DPX2NE-40W1MS40W1MS-34B-29 | 0139 | DPXBNA-32W2M-33P-00 |
| 0061 | DPX4NE-104M-34P-00 | 0133 | DPX2NE-57MPA106S-34B-29 | 0140 | DPXBNA-32W2M-33S-00 |
| 0062 | DPX4NE-104M-34S-00 | 0134 | DPX2NE-57MSA106P-34B-29 | 0141 | DPXBNA-40W1M-33P-00 |
| 0063 | DPX4NE-95M-34P-00 | 0145 | DPX2NE-W8MP57MP-34B-29 | 0142 | DPXBNA-40W1M-33S-00 |
| 0064 | DPX4NE-95M-34S-00 | 0146 | DPX2NE-W8MS57MS-34B-29 | 0149 | DPXBNA-32W4M-33P-00 |
| 0085 | DPX4NE-150M-34P-00 | 0147 | DPX2NE-57MP26MP-34B-29 | 0150 | DPXBNA-32W4M-33S-00 |
| 0086 | DPX4NE-150M-34S-00 | 0148 | DPX2NE-57MS26MS-34B-29 | M81659/66A2-0001 | DPXBNA-26M-34P-00 |
| 0095 | DPX4NE-326M-34SP-00 | 0151 | DPX2NE-32W4MPA106S-34B-29 | 0002 | DPXBNA-26M-34S-00 |
| 0096 | DPX4NE-326M-34PS-00 | 0152 | DPX2NE-32W4MSA106P-34B-29 | 0009 | DPXBNA-40M-34P-00 |
| 0097 | DPX4NE-287M-34SP-00 | 0155 | DPX2NE-W8MP32W4MP-34B-29 | 0010 | DPXBNA-40M-34S-00 |
| 0098 | DPX4NE-287M-34PS-00 | 0156 | DPX2NE-W8MS32W4MS-34B-29 | 0017 | DPXBNA-45M-34P-00 |
| 0099 | DPX4NE-189M-34SP-00 | 0159 | DPX2NE-32W4MPW8MP-34B-29 | 0018 | DPXBNA-45M-34S-00 |
| 0100 | DPX4NE-189M-34PS-00 | 0160 | DPX2NE-32W4MSW8MS-34B-29 | 0025 | DPXBNA-57M-34P-00 |
| 0101 | DPX4NE-346M-34SP-00 | M81659/63A2-0005 | DPX3NE-78M-34P-29 | 0026 | DPXBNA-57M-34S-00 |
| 0102 | DPX4NE-346M-34PS-00 | 0006 | DPX3NE-78M-34S-29 | 0033 | DPXBNA-67M-34P-00 |
| M81659/61A2-0001 | DPXBNE-26M-34P-29 | 0013 | DPX3NE-120M-34P-29 | 0034 | DPXBNA-67M-34S-00 |
| 0002 | DPXBNE-26M-34S-29 | 0014 | DPX3NE-120M-34S-29 | 0041 | DPXBNA-A106-34P-00 |
| 0009 | DPXBNE-40M-34P-29 | 0021 | DPX3NE-135M-34P-29 | 0042 | DPXBNA-A106-34S-00 |
| 0010 | DPXBNE-40M-34S-29 | 0022 | DPX3NE-135M-34S-29 | 0083 | DPXBNA-D8M-34P-00 |
| 0017 | DPXBNE-45M-34P-29 | 0029 | DPX3NE-171M-34P-29 | 0084 | DPXBNA-D8M-34S-00 |
| 0018 | DPXBNE-45M-34S-29 | 0030 | DPX3NE-171M-34S-29 | 0135 | DPXBNA-W8M-34P-00 |
| 0025 | DPXBNE-57M-34P-29 | 0037 | DPX3NE-201M-34P-29 | 0136 | DPXBNA-W8M-34S-00 |
| 0026 | DPXBNE-57M-34S-29 | 0038 | DPX3NE-201M-34S-29 | 0137 | DPXBNA-10W3M-34P-00 |
| 0033 | DPXBNE-67M-34P-29 | 0041 | DPX3NE-A318-30-29 | 0138 | DPXBNA-10W3M-34S-00 |
| 0034 | DPXBNE-67M-34S-29 | 0046 | DPX3NE-A318-34S-29 | 0139 | DPXBNA-32W2M-34P-00 |
| 0041 | DPXBNE-A106-34P-29 | 0065 | DPX3NE-24M-34P-29 | 0140 | DPXBNA-32W2M-34S-00 |
| 0042 | DPXBNE-A106-34S-29 | 0066 | DPX3NE-24M-34S-29 | 0141 | DPXBNA-40W1M-34P-00 |
| 0083 | DPXBNE-D8M-34P-29 | 0067 | DPX3NE-122M-34SP-29 | 0142 | DPXBNA-40W1M-34S-00 |
| 0084 | DPXBNE-D8M-34S-29 | 0068 | DPX3NE-122M-34PS-29 | 0149 | DPXBNA-32W4M-34P-00 |
| 0135 | DPXBNE-W8M-34P-29 | 0073 | DPX3NE-142M-34P-29 | 0150 | DPXBNA-32W4M-34S-00 |
| 0136 | DPXBNE-W8M-34S-29 | 0074 | DPX3NE-142M-34S-29 | M81659 67A2-0001 | DPXBNA-26M-34P-01 |
| 0137 | DPXBNE-10W3M-34P-29 | 0075 | DPX3NE-240M-34P-29 | 0002 | DPXBNA-26M-34S-01 |
| 0138 | DPXBNE-10W3M-34S-29 | 0076 | DPX3NE-240M-34S-29 | 0009 | DPXBNA-40M-34P-01 |
| 0139 | DPXBNE-32W2M-34P-29 | 0079 | DPX3NE-A240M-34SP-29 | 0010 | DPXBNA-40M-34S-01 |
| 0140 | DPXBNE-32W2M-34S-29 | 0080 | DPX3NE-A240M-34PS-29 | 0017 | DPXBNA-45M-34P-01 |
| 0141 | DPXBNE-40W1M-34P-29 | 0091 | DPX3NE-279M-34SP-29 | 0018 | DPXBNA-45M-34S-01 |
| 0142 | DPXBNE-40W1M-34S-29 | 0092 | DPX3NE-279M-34PS-29 | 0025 | DPXBNA-57M-34P-01 |
| 0149 | DPXBNE-32W4M-34P-29 | 0157 | DPX3NE-244M-34SP-29 | 0026 | DPXBNA-57M-34S-01 |
| 0150 | DPXBNE-32W4M-34S-29 | 0158 | DPX3NE-244M-34PS-29 | 0033 | DPXBNA-67M-34P-01 |
| M81659/62A2-0003 | DPX2NE-26MP-26MP-34B-29 | M81659/ 64A2-0007 | DPX4NE-104M-34P-29 | 0034 | DPXBNA-67M-34S-01 |
| 0004 | DPX2NE-26MS26MS-34B-29 | 0008 | DPX4NE-104M-34S-29 | 0041 | DPXBNA-A106-34P-01 |
| 0011 | DPX2NE-40MP40MP-34B-29 | 0015 | DPX4NE-160M-34P-29 | 0042 | DPXBNA-A106-34S-01 |
| 0012 | DPX2NE-40MS40MS-34B-29 | 0016 | DPX4NE-160M-34S-29 | 0083 | DPXBNA-D8M-34P-01 |
| 0019 | DPX2NE-45MP45MP-34B-29 | 0023 | DPX4NE-180M-34P-29 | 0084 | DPXBNA-D8M-34S-01 |
| 0020 | DPX2NE-45MS45MS-34B-29 | 0024 | DPX4NE-180M-34S-29 | 0135 | DPXBNA-W8M-34P-01 |
| 0027 | DPX2NE-57MP57MP-34B-29 | 0031 | DPX4NE-228M-34P-29 | 0136 | DPXBNA-W8M-34S-01 |
| 0028 | DPX2NE-57MS57MS-34B-29 | 0032 | DPX4NE-228M-34S-29 | 0137 | DPXBNA-10W3M-34P-01 |
| 0035 | DPX2NE-67MP67MP-34B-29 | 0039 | DPX4NE-268M-34P-29 | 0138 | DPXBNA-10W3M-34S-01 |
| 0036 | DPX2NE-67MS67MS-34B-29 | 0040 | DPX4NE-268M-34S-29 | 0139 | DPXBNA-32W2M-34P-01 |
| 0043 | DPX2NE-A106PA106P-34B-29 | 0047 | DPX4NE-A424-34P-29 | 0140 | DPXBNA-32W2M-34S-01 |
| 0044 | DPX2NE-A106SA106S-34B-29 | 0048 | DPX4NE-A424-34S-29 | 0141 | DPXBNA-40W1M-34P-01 |
| 0057 | DPX2NE-A106S26MP-34B-29 | 0061 | DPX4NE-104M-34P-29 | 0142 | DPXBNA-40W1M-34S-01 |
| 0058 | DPX2NE-A106P26MS-34B-29 | 0062 | DPX4NE-104M-34S-29 | 0149 | DPXBNA-32W4M-34P-01 |
| 0059 | DPX2NE-26MPA106S-34B-29 | 0063 | DPX4NE-95M-34P-29 | 0150 | DPXBNA-32W4M-34S-01 |
| 0060 | DPX2NE-26MSA106P-34B-29 | 0064 | DPX4NE-95M-34S-29 | M81659/68A2-0001 | DPXBNA-26M-34P-23 |
| 0071 | DPX2NE-67MPA106S-34B-29 | 0085 | DPX4NE-150M-34P-29 | 0002 | DPXBNA-26M-34S-23 |
| 0072 | DPX2NE-67MSA106P-34B-29 | 0086 | DPX4NE-150M-34S-29 | 0009 | DPXBNA-40M-34P-23 |
| 0087 | DPX2NE-A10BSW8MP-34B-29 | 0095 | DPX4NE-326M-34SP-29 | 0010 | DPXBNA-40M-34S-23 |
| 0088 | DPX2NE-A106PW8MP-34B-29 | 0096 | DPX4NE-326M-34PS-29 | 0017 | DPXBNA-45M-34P-23 |
| 0089 | DPX2NE-A106S67MP-34B-29 | 0097 | DPX4NE-287M-34SP-29 | 0018 | DPXBNA-45M-34S-23 |
| 0090 | DPX2NE-A106P67MS-34B-29 | 0098 | DPX4NE-287M-34PS-29 | 0025 | DPXBNA-57M-34P-23 |
| 0109 | DPX2NE-C2P46W1MP-34B-29 | 0099 | DPX4NE-189M-34SP-29 | 0026 | DPXBNA-57M-34S-23 |
| 0110 | DPX2NE-C2S40W1MS-34B-29 | 0100 | DPX4NE-189M-34PS-29 | 0033 | DPXBNA-67M-34P-23 |
| 0111 | DPX2NE-C2P57MP-34B-29 | 0101 | DPX4NE-346M-34SP-29 | 0034 | DPXBNA-67M-34S-23 |
| 0112 | DPX2NE-C2S57MS-34B-29 | 0102 | DPX4NE-346M-34PS-29 | 0041 | DPXBNA-A106-34P-23 |
| 0113 | DPX2NE-AC3P67MP-34B-29 | M81659/65A2-0001 | DPXBNA-26M-33P-00 | 0042 | DPXBNA-A106-34S-23 |
| 0114 | DPX2NE-AC3S67MS-34B-29 | 0002 | DPXBNA-26M-33S-00 | 0083 | DPXBNA-D8M-34P-23 |
| 0115 | DPX2NE-AC3PA106S-34B-29 | 0009 | DPXBNA-40M-33P-00 | 0084 | DPXBNA-D8M-34S-23 |
| 0116 | DPX2NE-AC3SA106P-34B-29 | 0010 | DPXBNA-40M-33S-00 | 0135 | DPXBNA-W8M-34P-23 |
| 0117 | DPX2NE-W8MPA106S-34B-29 | 0017 | DPXBNA-45M-33P-00 | 0136 | DPXBNA-W8M-34S-23 |
| 0118 | DPX2NE-W8MSA106P-34B-29 | 0018 | DPXBNA-45M-33S-00 | 0137 | DPXBNA-10W3M-34P-23 |
| 0119 | DPX2NE-10W3P32W2MP-34B-29 | 0025 | DPXBNA-57M-33P-00 | | |
| 0120 | DPX2NE-10W3S32W2MS-34B-29 | | | | |



Dimensions shown in inch (mm)
Specifications and dimensions subject to change

www.ittcannon.com

Cross Reference from Military to Cannon Part Numbers (Continued)

| Military Part Number | Cannon Part Number | Military Part Number | Cannon Part Number | Military Part Number | Cannon Part Number |
|----------------------|----------------------------|----------------------|----------------------------|----------------------|----------------------------|
| M81659/68A2-0138 | DPXBNA-10W3M-34S-23 | M81659/70A2-0060 | DPX2NA-26MSA106P-34B-00 | M81659/71A2-0126 | DPX2NA-32W2MS57MS-34B-01 |
| 0139 | DPXBNA-32W2M-34P-23 | 0071 | DPX2NA-67MPA106S-34B-00 | 0127 | DPX2NA-32W2MP67MP-34B-01 |
| 0140 | DPXBNA-32W2M-34S-23 | 0072 | DPX2NA-67MSA106P-34B-00 | 0128 | DPX2NA-32W2MS67MS-34B-01 |
| 0141 | DPXBNA-40W1M-34P-23 | 0087 | DPX2NA-A106SW8MP-34B-00 | 0129 | DPX2NA-32W2MPA106S-34B-01 |
| 0142 | DPXBNA-40W1M-34S-23 | 0088 | DPX2NA-A106PW8MS-34B-00 | 0130 | DPX2NA-32W2MSA106P-34B-01 |
| 0149 | DPXBNA-32W4M-34P-23 | 0089 | DPX2NA-A106S67MP-34B-00 | 0131 | DPX2NA-40W1MP40W1MP-34B-01 |
| 0150 | DPXBNA-32W4M-34S-23 | 0090 | DPX2NA-A106P67MS-34B-00 | 0132 | DPX2NA-40W1MS40W1MS-34B-01 |
| M81659/69A2-0003 | DPX2NA-26MP26MP-33B-00 | 0109 | DPX2NA-C2P40W1MP-34B-00 | 0133 | DPX2NA-57MPA106S-34B-01 |
| 0004 | DPX2NA-26MS26MS-33B-00 | 0110 | DPX2NA-C2S40W1MS-34B-00 | 0134 | DPX2NA-57MSA106P-34B-01 |
| 0011 | DPX2NA-40MP40MP-33B-00 | 0111 | DPX2NA-C2P57MP-34B-00 | 0145 | DPX2NA-W8MP57MP-34B-01 |
| 0012 | DPX2NA-40MS40MS-33B-00 | 0112 | DPX2NA-C2S57MS-34B-00 | 0146 | DPX2NA-W8MS57MS-34B-01 |
| 0019 | DPX2NA-45MP45MP-33B-00 | 0113 | DPX2NA-AC3P67MP-34B-00 | 0147 | DPX2NA-57MP26MP-34B-01 |
| 0020 | DPX2NA-45MS45MS-33B-00 | 0114 | DPX2NA-AC3S67MS-34B-00 | 0148 | DPX2NA-57MS26MS-34B-01 |
| 0027 | DPX2NA-57MP57MP-33B-00 | 0115 | DPX2NA-AC3PA106S-34B-00 | 0151 | DPX2NA-32W4MPA106S-34B-01 |
| 0028 | DPX2NA-57MS57MS-33B-00 | 0116 | DPX2NA-AC3SA106P-34B-00 | 0152 | DPX2NA-32W4MSA106P-34B-01 |
| 0035 | DPX2NA-67MP67MP-33B-00 | 0117 | DPX2NA-W8MPA106S-34B-00 | 0155 | DPX2NA-W8MP32W4MP-34B-01 |
| 0036 | DPX2NA-67MS67MS-33B-00 | 0118 | DPX2NA-W8MSA106P-34B-00 | 0156 | DPX2NA-W8MS32W4MS-34B-01 |
| 0043 | DPX2NA-A106PA106P-33B-00 | 0119 | DPX2NA-10W3P32W2MP-34B-00 | 0159 | DPX2NA-32W4MPW8MP-34B-01 |
| 0044 | DPX2NA-A106SA106S-33B-00 | 0120 | DPX2NA-10W3S32W2MS-34B-00 | 0160 | DPX2NA-32W4MSW8MS-34B-01 |
| 0057 | DPX2NA-A106S26MP-33B-00 | 0121 | DPX2NA-32W2MP40W1MP-34B-00 | M81659/72A2-0003 | DPX2NA-26MP26MP-34B-23 |
| 0058 | DPX2NA-A106P26MS-33B-00 | 0122 | DPX2NA-32W2MS40W1MS-34B-00 | 0004 | DPX2NA-26MS26MS-34B-23 |
| 0059 | DPX2NA-26MPA106S-33B-00 | 0123 | DPX2NA-32W2MPA5MP-34B-00 | 0011 | DPX2NA-40MP40MP-34B-23 |
| 0060 | DPX2NA-26MSA106P-33B-00 | 0124 | DPX2NA-32W2MS45MS-34B-00 | 0012 | DPX2NA-40MS40MS-34B-23 |
| 0071 | DPX2NA-67MPA106S-33B-00 | 0125 | DPX2NA-32W2MP57MP-34B-00 | 0019 | DPX2NA-45MP45MP-34B-23 |
| 0072 | DPX2NA-67MSA106P-33B-00 | 0126 | DPX2NA-32W2MS57MS-34B-00 | 0020 | DPX2NA-45MS45MS-34B-23 |
| 0087 | DPX2NA-A106SW8MP-33B-00 | 0127 | DPX2NA-32W2MP67MP-34B-00 | 0027 | DPX2NA-57MP57MP-34B-23 |
| 0088 | DPX2NA-A106PW8MS-33B-00 | 0128 | DPX2NA-32W2MS67MS-34B-00 | 0028 | DPX2NA-57MS57MS-34B-23 |
| 0089 | DPX2NA-A106S67MP-33B-00 | 0129 | DPX2NA-32W2MPA106S-34B-00 | 0035 | DPX2NA-67MP67MP-34B-23 |
| 0090 | DPX2NA-A106P67MS-33B-00 | 0130 | DPX2NA-32W2MSA106P-34B-00 | 0036 | DPX2NA-67MS67MS-34B-23 |
| 0109 | DPX2NA-C2P40W1MP-33B-00 | 0131 | DPX2NA-40W1MP40W1MP-34B-00 | 0043 | DPX2NA-A106PA106P-34B-23 |
| 0110 | DPX2NA-C2S40W1MS-33B-00 | 0132 | DPX2NA-40W1MS40W1MS-34B-00 | 0044 | DPX2NA-A106SA106S-34B-23 |
| 0111 | DPX2NA-C2P57MP-33B-00 | 0133 | DPX2NA-57MPA106S-34B-00 | 0057 | DPX2NA-A106S26MP-34B-23 |
| 0112 | DPX2NA-C2S57MS-33B-00 | 0134 | DPX2NA-57MSA106P-34B-00 | 0058 | DPX2NA-A106P26MS-34B-23 |
| 0113 | DPX2NA-AC3P67MP-33B-00 | 0145 | DPX2NA-W8MP57MP-34B-00 | 0059 | DPX2NA-A106SW8MP-34B-23 |
| 0114 | DPX2NA-AC3S67MS-33B-00 | 0146 | DPX2NA-W8MS57MS-34B-00 | 0060 | DPX2NA-26MSA106P-34B-23 |
| 0115 | DPX2NA-AC3PA106S-33B-00 | 0147 | DPX2NA-57MP26MP-34B-00 | 0071 | DPX2NA-67MPA106S-34B-23 |
| 0116 | DPX2NA-AC3SA106P-33B-00 | 0148 | DPX2NA-57MS26MS-34B-00 | 0072 | DPX2NA-67MSA106P-34B-23 |
| 0117 | DPX2NA-W8MPA106S-33B-00 | 0151 | DPX2NA-32W4MPA106S-34B-00 | 0087 | DPX2NA-A106SW8MP-34B-23 |
| 0118 | DPX2NA-W8MSA106P-33B-00 | 0152 | DPX2NA-32W4MSA106P-34B-00 | 0088 | DPX2NA-A106PW8MS-34B-23 |
| 0119 | DPX2NA-10W3P32W2MP-33B-00 | 0155 | DPX2NA-W8MP32W4MP-34B-00 | 0089 | DPX2NA-A106S67MP-34B-23 |
| 0120 | DPX2NA-10W3S32W2MS-33B-00 | 0156 | DPX2NA-W8MP32W4MPS-34B-00 | 0090 | DPX2NA-A106P67MS-34B-23 |
| 0121 | DPX2NA-32W2MP40W1MP-33B-00 | 0159 | DPX2NA-32W4MPW8MP-34B-00 | 0109 | DPX2NA-C2P40W1MP-34B-23 |
| 0122 | DPX2NA-32W2MS40W1MS-33B-00 | 0160 | DPX2NA-32W4MSW8MS-34B-00 | 0110 | DPX2NA-C2S40W1MS-34B-23 |
| 0123 | DPX2NA-32W2MP45MP-33B-00 | M81659/71A2-0003 | DPX2NA-26MP26MP-34B-01 | 0111 | DPX2NA-C2P57MP-34B-23 |
| 0124 | DPX2NA-32W2MS45MS-33B-00 | 0004 | DPX2NA-26MS26MS-34B-01 | 0112 | DPX2NA-C2S57MS-34B-23 |
| 0125 | DPX2NA-32W2MP57MP-33B-00 | 0011 | DPX2NA-40MP40MP-34B-01 | 0113 | DPX2NA-AC3P67MP-34B-23 |
| 0126 | DPX2NA-32W2MS57MS-33B-00 | 0012 | DPX2NA-40MS40MS-34B-01 | 0114 | DPX2NA-A106PW8MS-34B-23 |
| 0127 | DPX2NA-32W2MP67MP-33B-00 | 0019 | DPX2NA-45MP45MP-34B-01 | 0115 | DPX2NA-AC3PA106S-34B-23 |
| 0128 | DPX2NA-32W2MS67MS-33B-00 | 0020 | DPX2NA-45MS45MS-34B-01 | 0116 | DPX2NA-AC3SA106P-34B-23 |
| 0129 | DPX2NA-32W2MPA106S-33B-00 | 0027 | DPX2NA-57MP57MP-34B-01 | 0117 | DPX2NA-W8MPA106S-34B-23 |
| 0130 | DPX2NA-32W2MSA106P-33B-00 | 0028 | DPX2NA-57MS57MS-34B-01 | 0118 | DPX2NA-W8MSA106P-34B-23 |
| 0131 | DPX2NA-40W1MP40W1MP-33B-00 | 0035 | DPX2NA-67MP67MP-34B-01 | 0119 | DPX2NA-10W3P32W2MP-34B-23 |
| 0132 | DPX2NA-40W1MS40W1MS-33B-00 | 0036 | DPX2NA-67MS67MS-34B-01 | 0120 | DPX2NA-10W3S32W2MS-34B-23 |
| 0133 | DPX2NA-57MPA106S-33B-00 | 0043 | DPX2NA-A106PA106P-34B-01 | 0121 | DPX2NA-32W2MP40W1MP-34B-23 |
| 0134 | DPX2NA-57MSA106P-33B-00 | 0044 | DPX2NA-A106SA106S-34B-01 | 0122 | DPX2NA-32W2MS40W1MS-34B-23 |
| 0145 | DPX2NA-W8MP57MP-33B-00 | 0057 | DPX2NA-A106S26MP-34B-01 | 0123 | DPX2NA-32W2MPA5MP-34B-23 |
| 0146 | DPX2NA-W8MS57MS-33B-00 | 0058 | DPX2NA-A106P26MS-34B-01 | 0124 | DPX2NA-32W2MS45MS-34B-23 |
| 0147 | DPX2NA-57MP26MP-33B-00 | 0059 | DPX2NA-26MPA106S-34B-01 | 0125 | DPX2NA-32W2MP57MP-34B-23 |
| 0148 | DPX2NA-57MS26MS-33B-00 | 0060 | DPX2NA-26MSA106P-34B-01 | 0126 | DPX2NA-32W2MS57MS-34B-23 |
| 0151 | DPX2NA-32W4MPA106S-33B-00 | 0071 | DPX2NA-67MPA106S-34B-01 | 0127 | DPX2NA-32W2MP67MP-34B-23 |
| 0152 | DPX2NA-32W4MPA106P-33B-00 | 0072 | DPX2NA-67MSA106P-34B-01 | 0128 | DPX2NA-32W2MS67MS-34B-23 |
| 0155 | DPX2NA-W8MP32W4MP-33B-00 | 0087 | DPX2NA-A106SW8MP-34B-01 | 0129 | DPX2NA-32W2MPA106S-34B-23 |
| 0156 | DPX2NA-W8MS32W4MS-33B-00 | 0088 | DPX2NA-A106PW8MS-34B-01 | 0130 | DPX2NA-32W2MSA106P-34B-23 |
| 0159 | DPX2NA-32W4MPW8MP-33B-00 | 0089 | DPX2NA-A106S67MP-34B-01 | 0131 | DPX2NA-40W1MP40W1MP-34B-23 |
| 0160 | DPX2NA-32W4MSW8MS-33B-00 | 0090 | DPX2NA-A106P67MS-34B-01 | 0132 | DPX2NA-40W1MS40W1MS-34B-23 |
| M81659/70A2-0003 | DPX2NA-26MP26MP-34B-00 | 0109 | DPX2NA-C2P40W1MP-34B-01 | 0133 | DPX2NA-57MPA106S-34B-23 |
| 0004 | DPX2NA-26MS26MS-34B-00 | 0110 | DPX2NA-C2S40W1MS-34B-01 | 0134 | DPX2NA-57MSA106P-34B-23 |
| 0011 | DPX2NA-40MP40MP-34B-00 | 0111 | DPX2NA-C2P57MP-34B-01 | 0145 | DPX2NA-W8MP57MP-34B-23 |
| 0012 | DPX2NA-40MS40MS-34B-00 | 0112 | DPX2NA-C2S57MS-34B-01 | 0146 | DPX2NA-W8MS57MS-34B-23 |
| 0019 | DPX2NA-45MP45MP-34B-00 | 0113 | DPX2NA-AC3P67MP-34B-01 | 0147 | DPX2NA-57MP26MP-34B-23 |
| 0020 | DPX2NA-45MS45MS-34B-00 | 0114 | DPX2NA-AC3S67MS-34B-01 | 0148 | DPX2NA-57MS26MS-34B-23 |
| 0027 | DPX2NA-57MP57MP-34B-00 | 0115 | DPX2NA-AC3PA106S-34B-01 | 0151 | DPX2NA-32W4MPA106S-34B-23 |
| 0028 | DPX2NA-57MS57MS-34B-00 | 0116 | DPX2NA-AC3SA106P-34B-01 | 0152 | DPX2NA-32W4MSA106P-34B-23 |
| 0035 | DPX2NA-67MP67MP-34B-00 | 0117 | DPX2NA-W8MPA106S-34B-01 | 0155 | DPX2NA-W8MP32W4MP-34B-23 |
| 0036 | DPX2NA-67MS67MS-34B-00 | 0118 | DPX2NA-W8MSA106P-34B-01 | 0156 | DPX2NA-W8MS32W4MS-34B-23 |
| 0043 | DPX2NA-A106PA106P-34B-00 | 0119 | DPX2NA-10W3P32W2MP-34B-01 | 0159 | DPX2NA-32W4MPW8MP-34B-23 |
| 0044 | DPX2NA-A106SA106S-34B-00 | 0120 | DPX2NA-10W3S32W2MS-34B-01 | 0160 | DPX2NA-32W4MSW8MS-34B-23 |
| 0057 | DPX2NA-A106S26MP-34B-00 | 0121 | DPX2NA-32W2MP40W1MP-34B-01 | | |
| 0058 | DPX2NA-A106P26MS-34B-00 | 0122 | DPX2NA-32W2MS40W1MS-34B-01 | | |
| 0059 | DPX2NA-26MPA106P-34B-00 | 0123 | DPX2NA-32W2MPA5MP-34B-01 | | |
| | | 0124 | DPX2NA-32W2MS45MS-34B-01 | | |
| | | 0125 | DPX2NA-32W2MP57MP-34B-01 | | |

Dimensions shown in inch (mm)
 Specifications and dimensions subject to change

www.ittcannon.com



Coaxial Cable Reference Guide

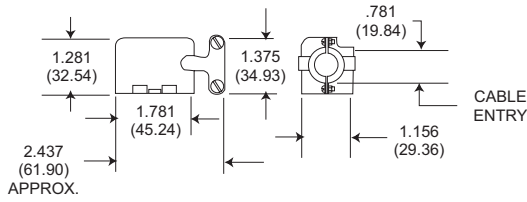
For BKA*, DPX Series (Crimp, & Solder)

Reference MIL-C-17D & DPX NE/NA MIL-C-81659 Series

| RG/U Type | Inner Conductor | Dielectric Material | DOD (Inch) | Jacket Material | O.D (Inch) | Weight (lbs/ft) | Max. Oper. Temp. Range (C) | Max. Oper. Voltage (Volts RMS) | Suggested Alt Cable | Code Crimp Type Coax | Code Solder Type Coax | DPX NE/NA Military |
|-----------|-----------------|---------------------|------------|-----------------|------------|-----------------|-----------------------------|--------------------------------|---------------------|----------------------|-----------------------|------------------------|
| 7 | 0.0359" | Air-space PE | 0.250 | PVC | 0.370 | 0.080 | - 40 + 80 | 1,000 | Use RG63B | - | I | - |
| 9 | 0.0855" | PE | 0.280 | PVC | 0.420 | 0.140 | - 40 + 80 | 4,000 | Use RG214 | - | R,AC | - |
| 55 | 0.0320" | PE | 0.116 | PE | 0.206 MAX | 0.032 | - 55 + 80 | 1,900 | Use RG55B | S | C,J | - |
| 58 | 0.0320" BC | PE | 0.116 | PVC | 0.195 | 0.029 | - 40 + 80 | 1,900 | Use RG58B | D,P,G J,AC,AD | C,J,Z, AB | Size 5/9 Seal 1 |
| 59 | 0.0253" | PE | 0.146 | PVC | 0.242 | 0.032 | - 40 + 80 | 2,300 | Use RG59B | A,F,T | D | - |
| 59B | 0.0230' | PE | 0.146 | PVC | 0.242 | 0.032 | - 40 + 80 | 2,300 | Use up to 1000 MHz | - | - | - |
| 62 | 0.0253" | Air-space PE | 0.146 | PVC | 0.242 | 0.038 | - 40 + 80 | 750 | Use RG62A | A,F,T | E | - |
| 62A | 0.0253" | Air-space PE | 0.146 | PVC | 0.242 | 0.038 | - 40 + 80 | 750 | - | - | - | - |
| 71 | 0.0253" | Air-space PE | 0.146 | PVC | 0.250 Max. | 0.046 | - 40 + 80 | 750 | Use RG71B | - | E | - |
| 115 | 0.0840" | PTFE | 0.250 | FG Braid | 0.375 | 0.148 | - 55 + 250 | 5,000 | Use RG115A | V | - | - |
| 142 | 0.0359" | PTFE | 0.116 | FG Braid | 0.206 Max | 0.047 | - 55 + 250 | 1,900 | Use RG142A | S,AE | - | Size 5/9 Seal 1 |
| 142B | 0.0390" | PTFE | 0.116 | FEP | 0.195 | 0.050 | - 55 + 200 | 1,900 | - | - | - | - |
| 174 | 0.0189" | PE | 0.060 | PVC | 0.100 | 0.008 | - 40 + 80 | 1,500 | - | D,H,U AF | - | Size 5/9 Seal 2 |
| 178 | 0.0120" | PTFE | 0.036 | KEL-F | 0.079 Max | 0.0054 | - 40 + 150 | 1,000 | Use RG178B | E,R,K,AG, L,M,AF | - | Size 5/9 Seal 1 |
| 179 | 0.0120" | PTFE | 0.057 | KEL-F | 0.094 Max | 0.010 | - 55 + 150 | 1,200 | Use RG179B | D,H,U AF | - | Size 5/9 Seal 1 Seal 2 |
| 179B | 0.0120" | PTFE | 0.063 | FEP | 0.100 | 0.010 | - 55 + 200 | 1,200 | - | - | - | - |
| 180 | 0.0120" | PTFE | 0.103 | KEL-F | 0.141 Max. | 0.019 | - 40 + 150 | 1,500 | Use RG180B | C,AB | B | Size 5/9 Seal 1 |
| 180B | 0.0120" | PTFE | 0.102 | FEP | 0.145 Max | 0.019 | - 55 + 200 | 1,500 | - | AB | - | - |
| 187 | 0.0120" | PTFE | 0.060 | PTFE | 0.110 Max. | 0.010 | - 55 + 250 | 1,200 | Use RG179B | D,H,U AF | A,K | - |
| 188 | 0.0201" | PTFE | 0.060 | PTFE | 0.110 Max. | 0.011 | - 55 + 250 | 1,200 | Use RG316 | D,H,U, AF | A,K | - |
| 195 | | PTFE | 0.102 | PTFE | 0.155 Max. | 0.020 | - 55 + 250 | 1,500 | Use RG180B | C,AB | B | - |
| 196 | | PTFE | 0.034 | PTFE | 0.080 Max. | 0.006 | - 55 + 250 | 1,000 | Use RG178B | E,R,K, L,AA,AG | AA | Size 5/9 Seal 1 |
| 214 | 0.0888" | PE | 0.285 | PVC | 0.425 | 0.126 | - 40 + 80 | 5,000 | - | - | R,AC | - |
| 223 | 0.035" | pE | 0.116 | PVC | 0.216 Max. | 0.034 | - 40 + 80 | 1,900 | - | - | C,J | - |
| 225 | 0.0936' | PTFE | 0.285 | FG Braid | 0.430 | 0.180 | - 55 + 250 | 5,000 | - | - | - | Size 5/9 Seal 2 |
| 316 | 0.0201" | PTFE | 0.060 | FEP | 0.102 | 0.012 | - 55 + 200 | 1,200 | Use RG188A | - | - | Size 5/9 Seal 2 |
| 393 | 0.0936" | PTFE | 0.285 | FEP | 0.390 | 0.165 | - 55 + 200 | 5,000 | Use RG225 | - | - | - |
| 400 | 0.0385" | PTFE | 0.116 | FEP | 0.195 | 0.050 | - 55 + 200 | 1,900 | - | - | - | - |
| 402 | 0.0360' | PTFE | 0.119 | None | 0.141 | 0.032 | - 55 + 200 | 2,500 | Use RG142B | - | - | - |

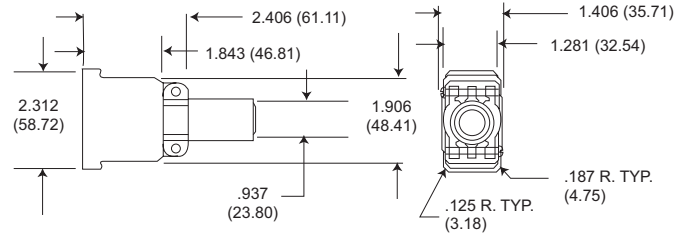
Junction Shells

90° Angle



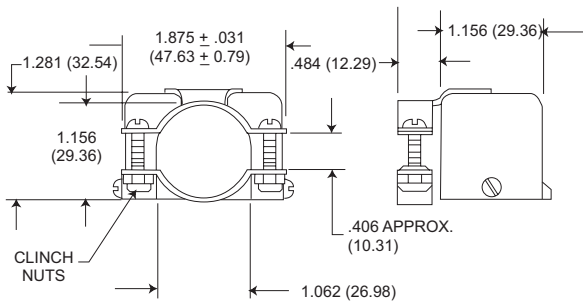
| Style | Part Number |
|--------------|-------------|
| (Right) DPXA | 20745-22 |
| (Left) DPXA | 20745-23 |
| (Right) DPX2 | 20745-10 |
| (Left) DPX2 | 20745-11 |

(DPXA ONLY)
DIECAST STRAIGHT JUNCTION SHELL



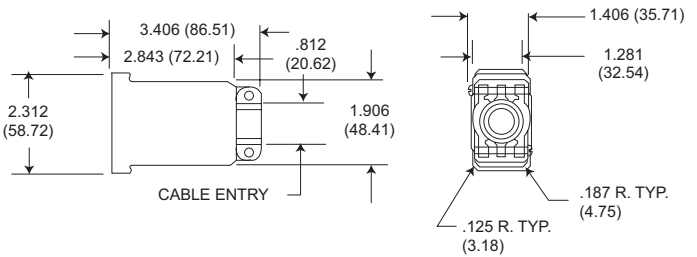
| Style | Part Number |
|-------|-------------|
| DPXA | 22017 |

90° Angle DPX2
Junction Shell (Side Outlet)



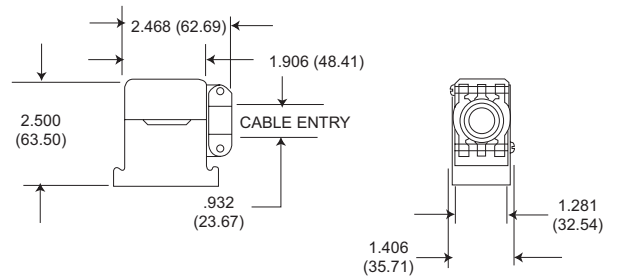
| Style | Part Number |
|-------|-------------|
| DPX2 | 20745-12 |

(DPXA ONLY)
DIECAST STRAIGHT JUNCTION SHELL (LONG)



| Style | Part Number |
|-------|-------------|
| DPXA | 22017-2 |

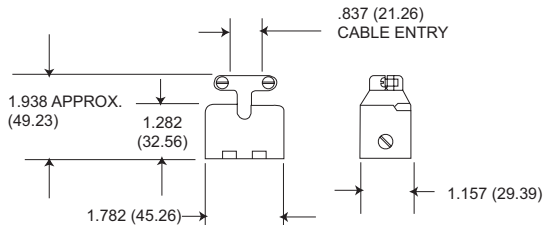
(DPXA ONLY)
DIECAST 90° ANGLE JUNCTION SHELL



| Style | Part Number |
|-------|-------------|
| DPXA | 22017-1 |

Diecast junction shells may be used on DPXA connectors. They have 4-40 NC-2B tapped mounting holes for attaching to the shell mounting hardware.

STRAIGHT JUNCTION SHELL



| Style | Part Number |
|-------|-------------|
| DPXA | 20745-21 |
| DPX2 | 20745-8 |

* DPX2 Junction Shells are also used on DPXB connectors.

Dust Caps



Conductive
DPXB-60-1 for 34 Shell
Conductive Dust Caps
025-0767-001
Protect Against
Static Electricity



Conductive
DPXA-59 for 33 Shell
025-0749-001

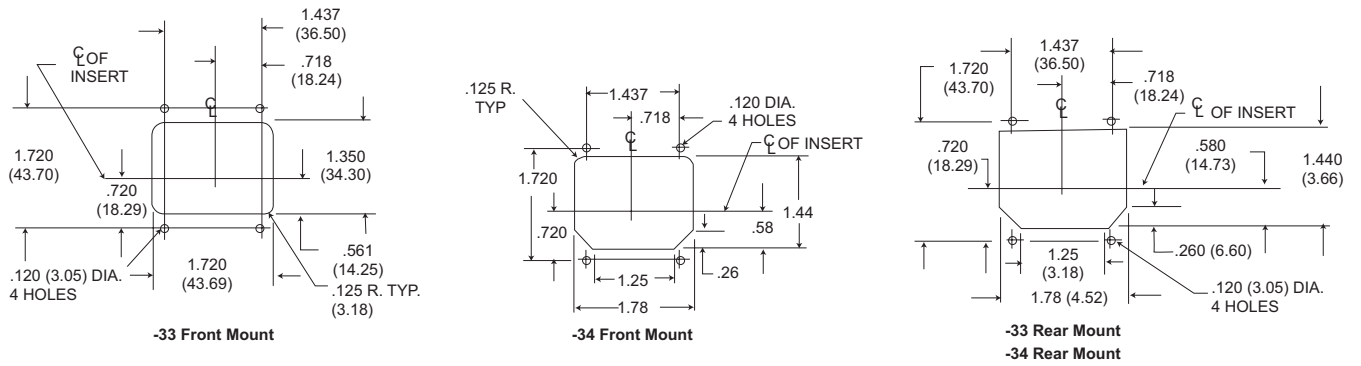
Dimensions shown in inch (mm)
Specifications and dimensions subject to change

www.ittcannon.com

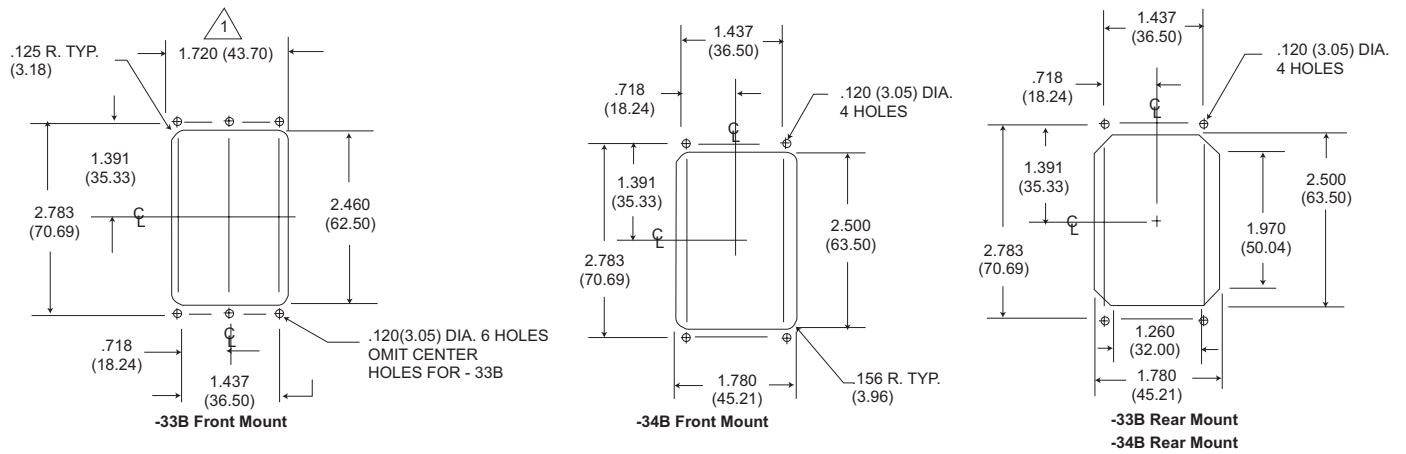


Panel Cutouts

DPXB

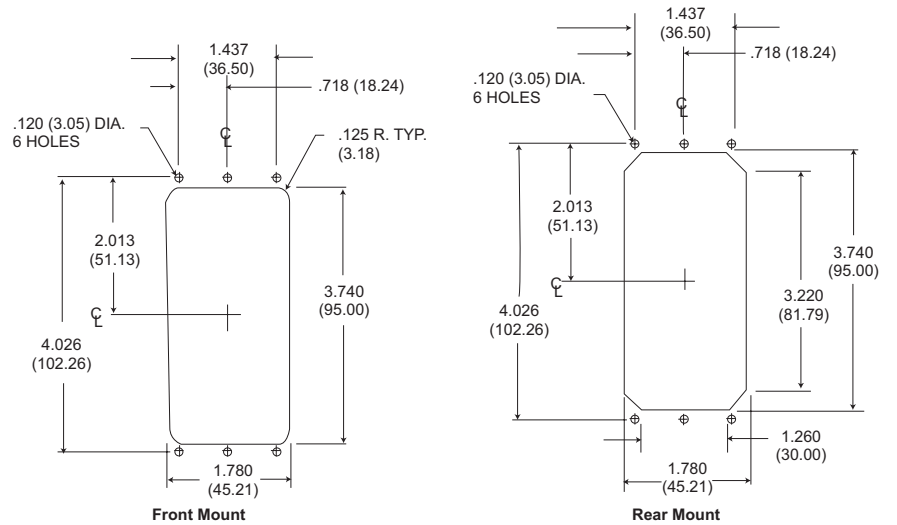


DPX2



△ For - 23 float mtg. mod. 1.78 (45.21)

DPX3



All tolerance $\pm .015$ (0.38) unless other wise noted.

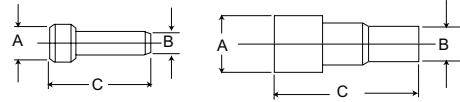
Dimensions shown in inch (mm)
Specifications and dimensions subject to change

www.ittcannon.com



Sealing Plugs

P/N 225-0090-000 only
Material: Teflon

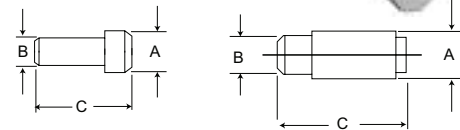


* Applies to 225-0090-000

| Part Number | Contact Size | Color | A | B | C |
|--------------|----------------|--------|------------|------------|-------------|
| 225-1013-000 | 22 | Black | .063 (1.6) | .040 (1.0) | .469 (11.9) |
| 225-0070-000 | 20 | Red | .085 (2.2) | .065 (1.6) | .469 (11.9) |
| 225-0071-000 | 16 | Blue | .115 (2.9) | .075 (1.9) | .469 (11.9) |
| 225-0072-000 | 12 | Yellow | .171 (4.3) | .121 (3.1) | .564 (14.3) |
| 225-0090-000 | #5 and #9 Coax | White | .365 (9.3) | .287 (7.3) | .835 (21.2) |

Filler Plugs

P/N 225-0099-000 only
Material: Thermoplastic



* Applies to 225-0099-000

| Part Number | Contact Size | Color | A | B | C |
|--------------|-------------------------|--------|------------|------------|--------------|
| 225-0094-000 | 22 | Black | .069 (1.7) | .051 (1.3) | .420 (10.7) |
| 225-0095-000 | 20 | Red | .083 (2.1) | .069 (1.7) | .350 (8.9) |
| 225-0096-000 | 16 | Blue | .131 (3.3) | .108 (2.7) | .320 (8.1) |
| 225-0097-000 | 12 | Yellow | .187 (4.7) | .156 (4.0) | .320 (8.1) |
| 225-0098-000 | #5 Coax (Pin) | White | .275 (7.0) | .251 (6.4) | .450 (11.4) |
| 225-0099-000 | #5 and #9 Coax (Socket) | White | .275 (7.0) | .251 (6.4) | 1.061 (26.9) |

(See Customer Use Drawing for details)

