



Search:



Products

Catalogs

Search

Customer Support

About Cannon

Home



D Subminiature Accessories



PART NUMBER: 980-2000-347

Image Disclaimer:

Please use Customer Drawing for design activity: line art and other pictures are general representations of product dimensions.

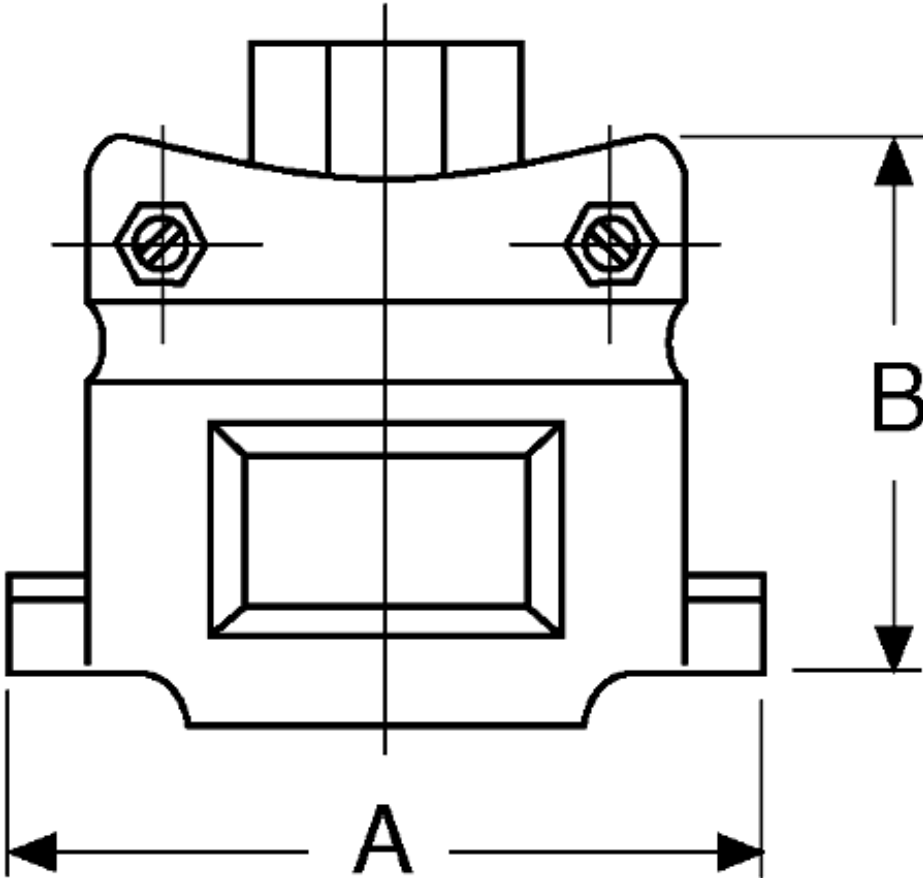
[View Line Drawings](#)

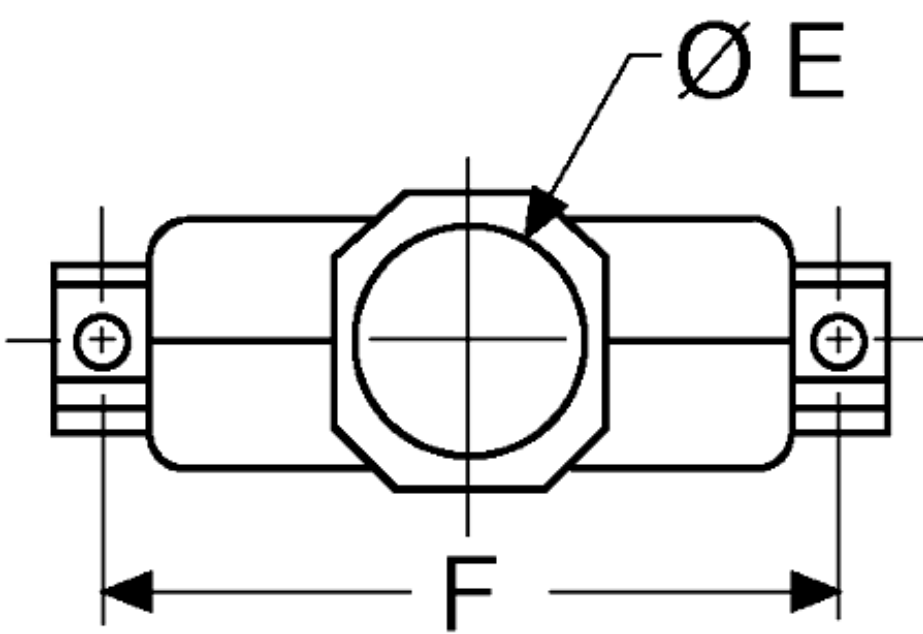
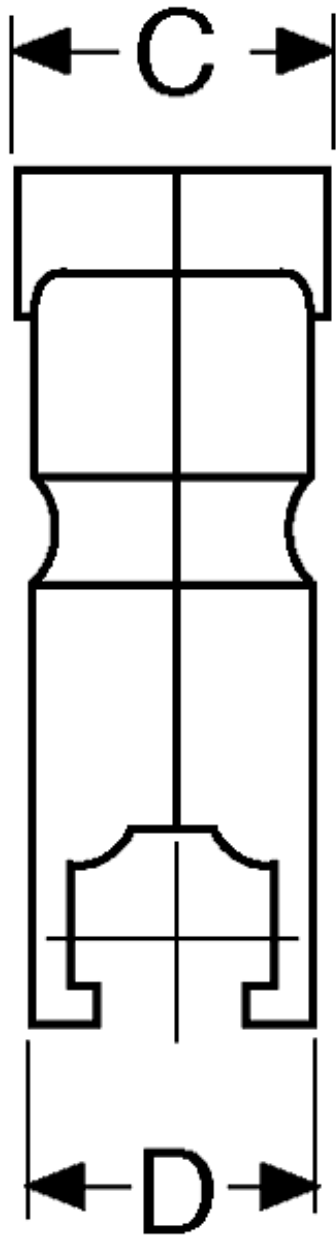


- [Sales Support](#)
- [Ask a Specialist](#)
- [Product Home](#)
- [Stock Check](#)

Product Group	D Subminiature Accessories
Where Sold	Asia Pacific, Europe, Americas
D Sub Accessory type	EMI Shielded Endbell
Application Type	Commercial
Shell Size	DB
Cable Exit	Straight Cable Exit
Endbell Material	Die Cast Zinc
Endbell Finish	Clear zinc
Compression Insert Material	PVC
Hardware Material	Steel
Hardware Finish	Clear zinc
Attenuation	-50 dB at 1000 MHz
Temperature Range	-20°C to 80°C
Cable Entry	Ø13,34 (.525)
Dimension A	53,09 (2.090) ±0,13 (.005)
Dimension B	39,37 (1.550) ±0,13 (.005)
Dimension C	17,53 (.690) ±0,13 (.005)
Dimension D	15,75 (.620) ±0,13 (.005)
Dimension E	Ø13,34 (.525) ±0,13 (.005)
Dimension F	47,17 (1.857) ±0,13 (.005)
Compression Insert #1 Outer Diameter Dimension	15,24 (.600)
Compression Insert #1 Inner Diameter Dimension	11,43 (.450)
Compression Insert #2 Outer Diameter Dimension	11,43 (.450)
Compression Insert #2 Inner Diameter Dimension	10,41 (.410)
Compression Insert #3 Outer Diameter Dimension	11,43 (.450)
Compression Insert #3 Inner Diameter Dimension	9,40 (.370)
Compression Insert #4 Outer Diameter Dimension	11,43 (.450)
Compression Insert #4 Inner Diameter Dimension	7,62 (.300)

Compression Insert #5 Outer Diameter Dimension	11,43 (.450)
Compression Insert #5 Inner Diameter Dimension	5,84 (.230)
Min. Cable Diameter for Compression Insert	4,83 (.190)
Max. Cable Diameter for Compression Insert	11,68 (.460)
Note 1	Kit consists of 1 front shell, 1 rear shell, 2 screws, 2 hex nuts, 2 mounting screws, 2 end brackets, 1 set of compression inserts.
Note 2	Compression Inserts may be supplied mirror image.
Footnote	Dimension are shown in mm (inch). Dimensions subject to change.
For more information	Please Contact Cannon Sales Department.





Diecast Shell Shielding Performance

