

EM3923 Series
Euro-Mag Terminal Blocks
 3.50 Centers; Modular

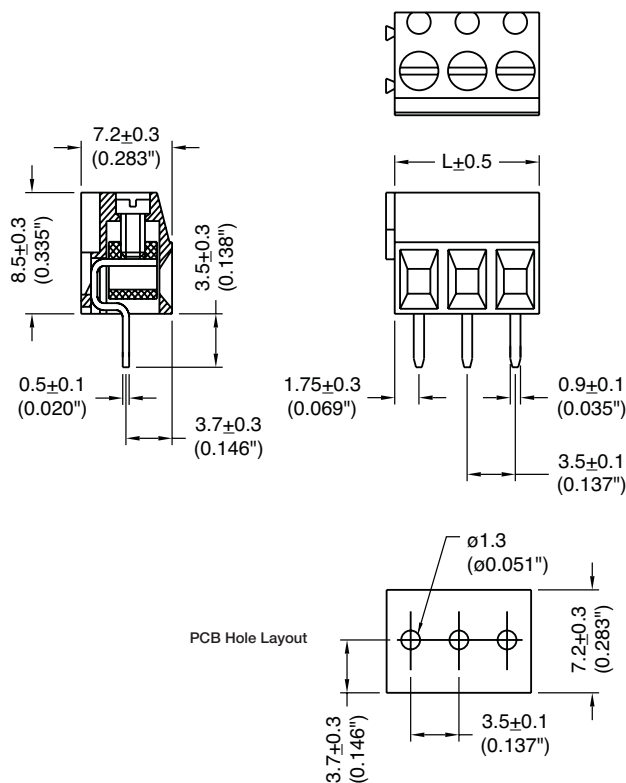
SPECIFICATIONS

- Rating: 8A, 300V
- Center Spacing: 0.138" (3.50mm)
- Wire Range: #16-26 AWG
- Housing Material: UL rated 94V0 Thermoplastic
- Contact Material: Brass Tin-Plated
- Cage Clamp: Brass, Nickel-Plated
- Screw Size: M2.0 Nickel-Plated Steel
- Operating Temperature: 105°C (221°F) max., -40°C (-67°F) min.
- Torque Rating: 2.5 lb-in.
- Recommended PCB Hole Diameters: 0.055" (1.40mm)
- Construction: Modular design features dovetails for interlocking to achieve longer lengths
- Agency Information: US File E62622; CE Certified



EM392305

Dimensions - mm (in)



| Poles | L (mm) | Poles | L (mm) |
|-------|--------|-------|--------|
| 2 | 7.0 | 14 | 49.5 |
| 3 | 10.5 | 15 | 52.5 |
| 4 | 14.0 | 16 | 56.0 |
| 5 | 17.5 | 17 | 59.5 |
| 6 | 21.0 | 18 | 63.0 |
| 7 | 24.5 | 19 | 66.5 |
| 8 | 28.0 | 20 | 70.0 |
| 9 | 31.5 | 21 | 73.5 |
| 10 | 35.0 | 22 | 77.0 |
| 11 | 38.5 | 23 | 80.5 |
| 12 | 42.0 | 24 | 84.0 |
| 13 | 45.5 | | |

To convert to inches, divide by 25.4

Part Numbering System



EuroMag Series PCB Mount Terminal Blocks

EM3503 Series Euro-Mag Terminal Blocks 3.81 Centers; Modular

SPECIFICATIONS

Rating: 8A, 300V

Center Spacing: 0.150" (3.81mm)

Wire Size: #16-26 AWG

Housing Material: UL rated 94V0 Thermoplastic

Contact Material: Brass Tin-Plated

Screw Size: M 2x3 Zinc-Plated Steel

Operating Temperature: 105°C (221°F) max., -40°C (-40°F) min.

Torque Rating: 4.5 lb-in.

Recommended PCB Hole Diameters: 0.055" (1.40mm)

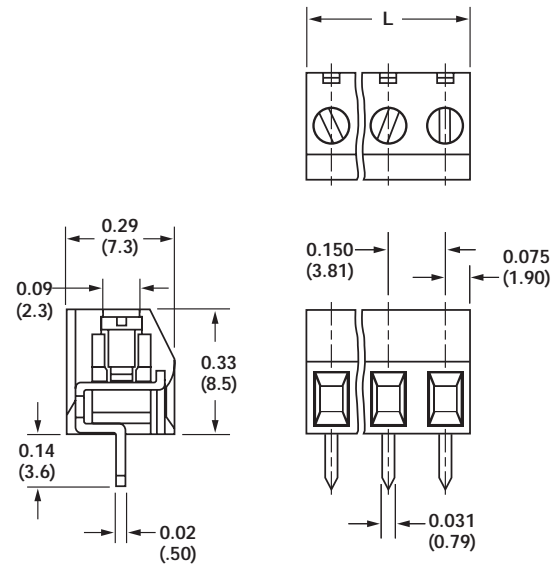
Construction: Modular design features dovetails for interlocking to achieve longer lengths

Agency Information:  File E62622; CE Certified



EM350305

Dimensions - mm (in)



| Poles | L (mm) | Poles | L (mm) |
|-------|--------|-------|--------|
| 2 | 7.62 | 14 | 53.34 |
| 3 | 11.43 | 15 | 57.15 |
| 4 | 15.24 | 16 | 60.96 |
| 5 | 19.05 | 17 | 64.77 |
| 6 | 22.86 | 18 | 68.58 |
| 7 | 26.67 | 19 | 72.39 |
| 8 | 30.48 | 20 | 76.20 |
| 9 | 34.29 | 21 | 80.01 |
| 10 | 38.10 | 22 | 83.82 |
| 11 | 41.91 | 23 | 87.63 |
| 12 | 45.72 | 24 | 91.44 |
| 13 | 49.53 | | |

To convert to inches, divide by 25.4

Part Numbering System

Series

of Positions

EM3503

02 to 24

EM2585 Series Euro-Mag Terminal Blocks

5.00 Centers; Modular

SPECIFICATIONS

Rating: 16A, 300V

Center Spacing: 0.197" (5.00mm)

Consult factory for 0.394" (10.00mm)

Wire Range: #12-26 AWG

Housing Material: UL rated 94V0 Thermoplastic

Contact Material: Brass Tin-Plated

Screw Size: M3x5 Zinc-Plated Steel

Operating Temperature: 105°C (221°F) max., -40°C (-40°F) min.

Torque Rating: 7 lb-in.

Recommended PCB Hole Diameters: 0.055" (1.40mm)

Construction: Modular design features dovetails for interlocking to achieve longer lengths

Connector Style: Rising Cage Clamp

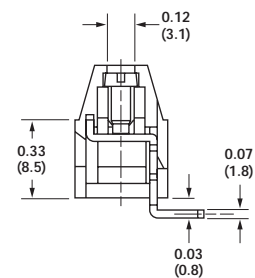
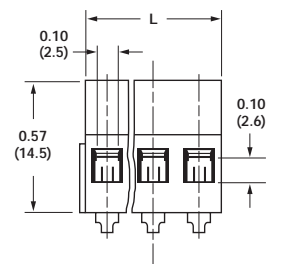
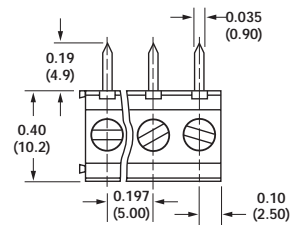
Agency Information: File E62622; CE Certified



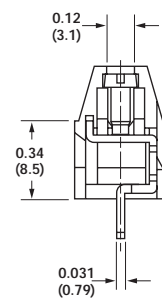
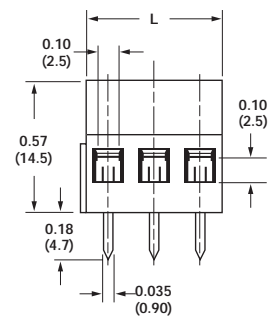
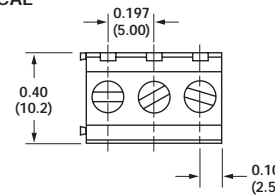
EM258505V

Dimensions - mm (in)

HORIZONTAL



VERTICAL



| Position | L (mm) | Position | L (mm) |
|----------|--------|----------|--------|
| 02 | 10.0 | 14 | 70.0 |
| 03 | 15.0 | 15 | 75.0 |
| 04 | 20.0 | 16 | 80.0 |
| 05 | 25.0 | 17 | 85.0 |
| 06 | 30.0 | 18 | 90.0 |
| 07 | 35.0 | 19 | 95.0 |
| 08 | 40.0 | 20 | 100.0 |
| 09 | 45.0 | 21 | 105.0 |
| 10 | 50.0 | 22 | 110.0 |
| 11 | 55.0 | 23 | 115.0 |
| 12 | 60.0 | 24 | 120.0 |
| 13 | 65.0 | | |

To convert to inches, divide by 25.4

Part Numbering System

Series

EM2585

of Positions

02 to 24

Orientation

H - horizontal
V - vertical

EM3225 Series Euro-Mag Terminal Blocks

35° Angle; 5.00 Centers; Modular

SPECIFICATIONS

Rating: 16A, 300V

Center Spacing: 0.197" (5.00mm)
Consult factory for 0.393" (10.00mm)

Wire Range: #14-24 AWG

Housing Material: UL rated 94V0 Thermoplastic

Contact Material: Brass Tin-Plated

Cage Clamp: Brass, Nickel-Plated

Screw Size: M2.6 nickel-plated Steel

Operating Temperature: 105°C (221°F) max., -40°C (-40°F) min.

Torque Rating: 5 lb-in.

Recommended PCB Hole Diameters: 0.055" (1.40mm)

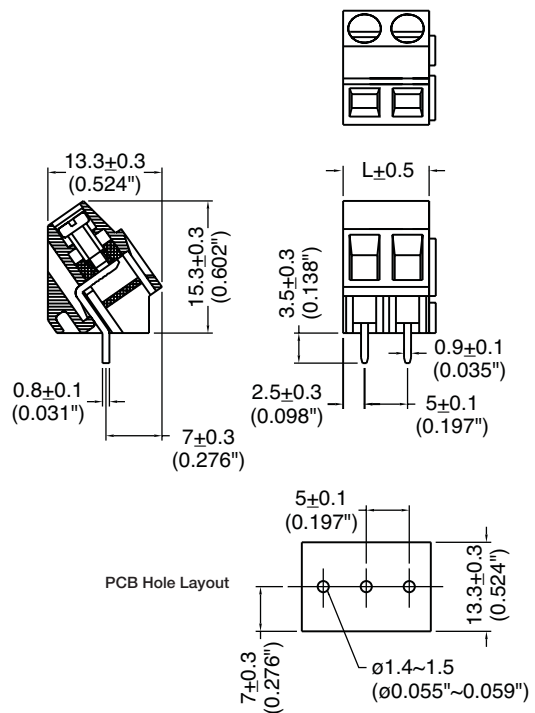
Construction: Modular design features dovetails for interlocking to achieve longer lengths

Agency Information:  File E62622; CE Certified



EM322505

Dimensions - mm (in)



| Poles | L (mm) | Poles | L (mm) |
|-------|--------|-------|--------|
| 2 | 10.0 | 14 | 70.0 |
| 3 | 15.0 | 15 | 75.0 |
| 4 | 20.0 | 16 | 80.0 |
| 5 | 25.0 | 17 | 85.0 |
| 6 | 30.0 | 18 | 90.0 |
| 7 | 35.0 | 19 | 95.0 |
| 8 | 40.0 | 20 | 100.0 |
| 9 | 45.0 | 21 | 105.0 |
| 10 | 50.0 | 22 | 110.0 |
| 11 | 55.0 | 23 | 115.0 |
| 12 | 60.0 | 24 | 120.0 |
| 13 | 65.0 | | |

To convert to inches, divide by 25.4

Part Numbering System

Series

of Poles



02 to 24

EM2205 Series
Euro-Mag Terminal Blocks
 45° Angle, 5.00 Centers, Modular

SPECIFICATIONS

- Rating:** 10A, 300V
- Center Spacing:** 0.197" (5.00mm)
 Consult factory for 0.393" (10.00mm)
- Wire Range:** #12-24 AWG
- Housing Material:** Grey Polyamide Type 6/6, 94V0
- Contact Material:** Brass Tin-Plated
- Cage Clamp:** Brass, Tin-Plated
- Screw Size:** M2.6 Chromate Steel
- Operating Temperature:** 105°C (221°F) max., -33°C (-27°F) min.
- Torque Rating:** 3.5 lb-in.
- Recommended PCB Hole Diameters:** 0.055" (1.40mm)
- Construction:** Modular design features dovetails for interlocking to achieve longer lengths
- Agency Information:** File E62622; CE Certified

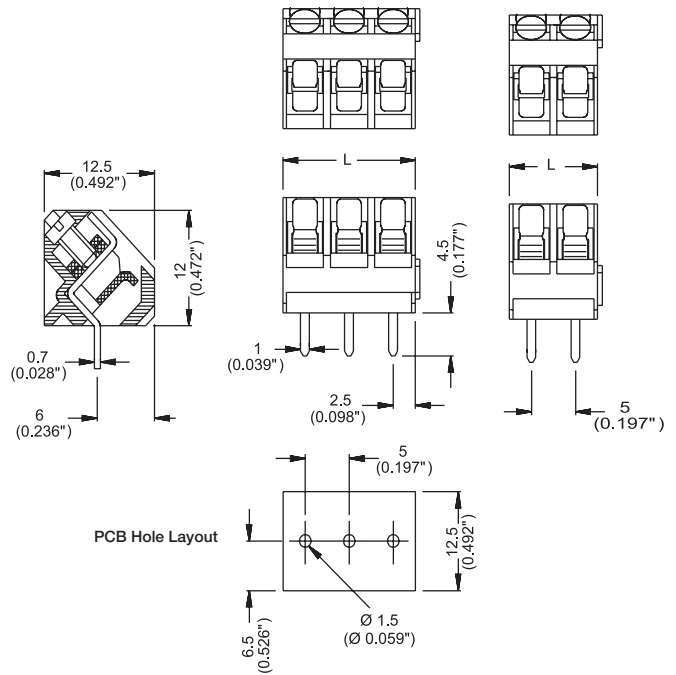


EM220505

| Poles | L (mm) | Poles | L (mm) |
|-------|--------|-------|--------|
| 2 | 10.0 | 14 | 70.0 |
| 3 | 15.0 | 15 | 75.0 |
| 4 | 20.0 | 16 | 80.0 |
| 5 | 25.0 | 17 | 85.0 |
| 6 | 30.0 | 18 | 90.0 |
| 7 | 35.0 | 19 | 95.0 |
| 8 | 40.0 | 20 | 100.0 |
| 9 | 45.0 | 21 | 105.0 |
| 10 | 50.0 | 22 | 110.0 |
| 11 | 55.0 | 23 | 115.0 |
| 12 | 60.0 | 24 | 120.0 |
| 13 | 65.0 | | |

To convert to inches, divide by 25.4

Dimensions - mm (in)



Part Numbering System



EuroMag Series PCB Mount Terminal Blocks

EM2505 Series Euro-Mag Terminal Blocks 5.08 Centers; Modular

SPECIFICATIONS

Rating: 16A, 300V

Center Spacing: 0.20" (5.08mm)

Consult factory for 0.40" (10.16mm)

Wire Range: #12-26 AWG

Housing Material: UL rated 94V0 Thermoplastic

Contact Material: Brass Tin-Plated

Screw Size: M3x5 Zinc-Plated Steel

Operating Temperature: 105°C (221°F) max., -40°C (-40°F) min.

Torque Rating: 7 lb-in.

Recommended PCB Hole Diameters: 0.055" (1.40mm)

Construction: Modular design features dovetails for interlocking to achieve longer lengths

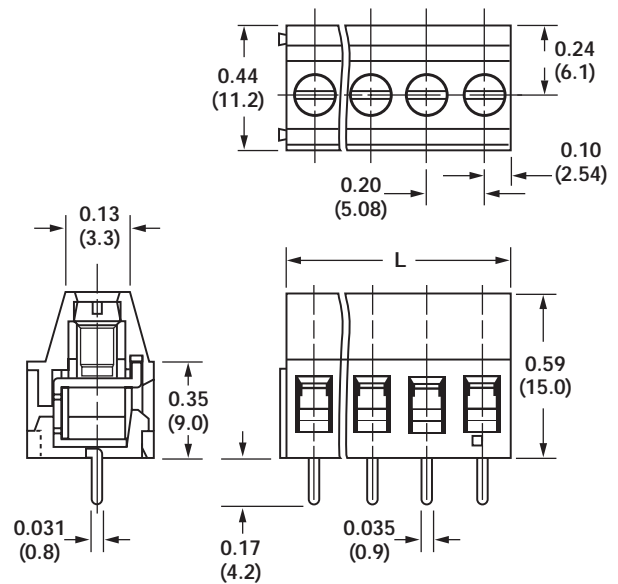
Connector Style: Rising Cage Clamp

Agency Information:  File E62622; CE Certified



EM250505V

Dimensions - mm (in)



| Position | L (mm) | Position | L (mm) |
|----------|--------|----------|--------|
| 02 | 10.16 | 14 | 71.12 |
| 03 | 15.24 | 15 | 76.20 |
| 04 | 20.32 | 16 | 81.28 |
| 05 | 25.40 | 17 | 86.36 |
| 06 | 30.48 | 18 | 91.44 |
| 07 | 35.56 | 19 | 96.52 |
| 08 | 40.64 | 20 | 101.60 |
| 09 | 45.72 | 21 | 106.68 |
| 10 | 50.80 | 22 | 111.76 |
| 11 | 55.88 | 23 | 116.84 |
| 12 | 60.96 | 24 | 121.92 |
| 13 | 66.04 | | |

To convert to inches, divide by 25.4

Part Numbering System

Series

EM2505

of Positions

02 to 24

Orientation

V - vertical

EM3228 Series
Euro-Mag Terminal Blocks
 35° Angle; 5.08 Centers; Modular

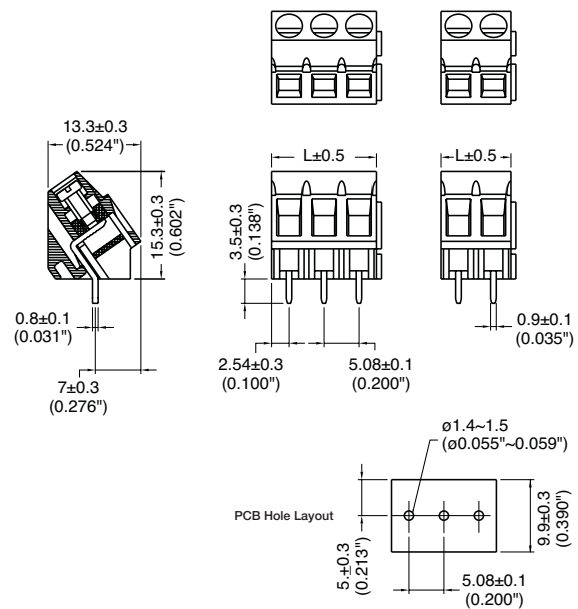
SPECIFICATIONS

- Rating:** 16A, 300V
- Center Spacing:** 0.20" (5.08mm)
 Consult factory for 0.40" (10.16mm)
- Wire Range:** #14-24 AWG
- Housing Material:** UL rated 94V0 Thermoplastic
- Contact Material:** Brass Tin-Plated
- Cage Clamp:** Brass, Nickel-Plated
- Screw Size:** M2.6 Nickel-Plated Steel
- Operating Temperature:** 105°C (221°F) max., -40°C (-40°F) min.
- Torque Rating:** 5 lb-in.
- Recommended PCB Hole Diameters:** 0.055" (1.40mm)
- Construction:** Modular design features dovetails for interlocking to achieve longer lengths
- Agency Information:** File E62622; CE Certified



EM322805

Dimensions - mm (in)



| Poles | L (mm) | Poles | L (mm) |
|-------|--------|-------|--------|
| 2 | 10.16 | 14 | 72.12 |
| 3 | 15.24 | 15 | 76.20 |
| 4 | 20.32 | 16 | 81.28 |
| 5 | 25.40 | 17 | 86.36 |
| 6 | 30.48 | 18 | 91.44 |
| 7 | 35.56 | 19 | 96.52 |
| 8 | 40.64 | 20 | 101.60 |
| 9 | 45.72 | 21 | 106.68 |
| 10 | 50.80 | 22 | 111.76 |
| 11 | 55.88 | 23 | 116.84 |
| 12 | 60.96 | 24 | 121.92 |
| 13 | 66.04 | | |

To convert to inches, divide by 25.4

Part Numbering System



EuroMag Series PCB Mount Terminal Blocks

EM2507 Series Euro-Mag Terminal Blocks 7.50 Centers; Modular

SPECIFICATIONS

Rating: 16A, 300V

Center Spacing: 0.295" (7.50mm)

Wire Range: #14-22 AWG

Housing Material: UL rated 94V0 Thermoplastic

Contact Material: Brass Tin-Plated

Cage Clamp: Brass, Nickel-Plated

Screw Size: M2.6 Nickel-Plated Steel

Operating Temperature: 105°C (221°F) max., -40°C (-40°F) min.

Torque Rating: 5.0 lb-in.

Recommended PCB Hole Diameters: 0.055" (1.40mm)

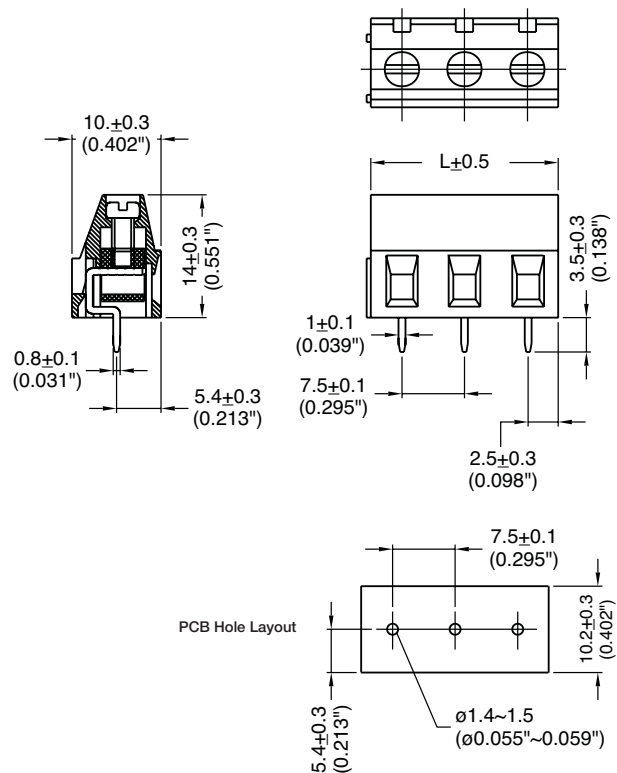
Construction: Modular design features dovetails for interlocking to achieve longer lengths

Agency Information:  File E62622; CE Certified



EM250705

Dimensions - mm (in)



| Poles | L (mm) | Poles | L (mm) |
|-------|--------|-------|--------|
| 2 | 15.0 | 14 | 105.0 |
| 3 | 22.5 | 15 | 112.5 |
| 4 | 33.0 | 16 | 120.0 |
| 5 | 37.5 | 17 | 127.5 |
| 6 | 45.0 | 18 | 133.0 |
| 7 | 52.5 | 19 | 142.5 |
| 8 | 60.0 | 20 | 150.0 |
| 9 | 67.5 | 21 | 157.5 |
| 10 | 75.0 | 22 | 165.0 |
| 11 | 82.5 | 23 | 172.5 |
| 12 | 90.0 | 24 | 180.0 |
| 13 | 97.5 | | |

To convert to inches, divide by 25.4

Part Numbering System

Series

of Poles

EM2507

02 to 24

EM3227 Series
Euro-Mag Terminal Blocks
 35° Angle, 7.50 Centers; Modular

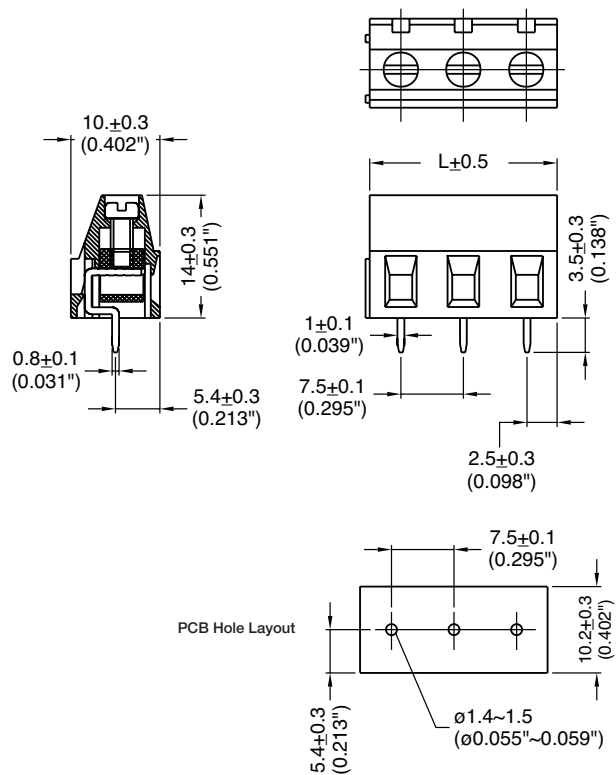
SPECIFICATIONS

- Rating:** 16A, 300V
- Center Spacing:** 0.295" (7.50mm)
 Consult factory for 0.40" (10.16mm)
- Wire Range:** #14-24 AWG
- Housing Material:** UL rated 94V0 Thermoplastic
- Contact Material:** Brass Tin-Plated
- Cage Clamp:** Brass, Nickel-Plated
- Screw Size:** M2.6 Nickel-Plated Steel
- Operating Temperature:** 105°C (221°F) max., -40°C (-40°F) min.
- Torque Rating:** 5.0 lb-in.
- Recommended PCB Hole Diameters:** 0.055" (1.40mm)
- Construction:** Modular design features dovetails for interlocking to achieve longer lengths
- Agency Information:** US File E62622; CE Certified



EM322705

Dimensions - mm (in)



| Poles | L (mm) | Poles | L (mm) |
|-------|--------|-------|--------|
| 2 | 15.0 | 14 | 105.0 |
| 3 | 22.5 | 15 | 112.5 |
| 4 | 33.0 | 16 | 120.0 |
| 5 | 37.5 | 17 | 127.5 |
| 6 | 45.0 | 18 | 133.0 |
| 7 | 52.5 | 19 | 142.5 |
| 8 | 60.0 | 20 | 150.0 |
| 9 | 67.5 | 21 | 157.5 |
| 10 | 75.0 | 22 | 165.0 |
| 11 | 82.5 | 23 | 172.5 |
| 12 | 90.0 | 24 | 180.0 |
| 13 | 97.5 | | |

To convert to inches, divide by 25.4

Part Numbering System



EuroMag Series PCB Mount Terminal Blocks

EM2506 Series Euro-Mag Terminal Blocks 7.62 Centers; Modular

SPECIFICATIONS

Rating: 16A, 300V

Center Spacing: 0.30" (7.62mm)

Wire Range: #14-24 AWG

Housing Material: UL rated 94V0 Thermoplastic

Contact Material: Brass Tin-Plated

Cage Clamp: Brass, Nickel-Plated

Screw Size: M2.6 Nickel-Plated Steel

Operating Temperature: 105°C (221°F) max., -40°C (-40°F) min.

Torque Rating: 5.0 lb-in.

Recommended PCB Hole Diameters: 0.055" (1.40mm)

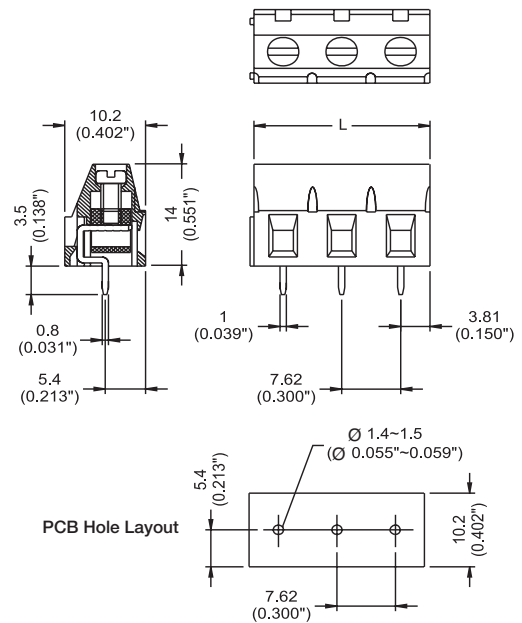
Construction: Modular design features dovetails for interlocking to achieve longer lengths

Agency Information:  File E62622; CE Certified



EM250605

Dimensions - mm (in)



| Poles | L (mm) | Poles | L (mm) |
|-------|--------|-------|--------|
| 2 | 15.24 | 14 | 106.69 |
| 3 | 22.86 | 15 | 114.31 |
| 4 | 30.48 | 16 | 121.93 |
| 5 | 38.10 | 17 | 129.55 |
| 6 | 45.72 | 18 | 137.17 |
| 7 | 53.34 | 19 | 144.79 |
| 8 | 60.96 | 20 | 152.41 |
| 9 | 68.58 | 21 | 160.03 |
| 10 | 76.20 | 22 | 167.65 |
| 11 | 83.82 | 23 | 175.27 |
| 12 | 91.44 | 24 | 182.89 |
| 13 | 99.07 | | |

To convert to inches, divide by 25.4

Part Numbering System

Series

of Poles

EM2506

02 to 24