

Features

- IEEE 802.3af Ethernet compatible
- Designed for AMD IC manufacturers
- Fully integrated for adapter, hub and motherboard applications
- RoHS compliant*

Applications

- LAN (Local Area Network)
- Ethernet

PT61017L LAN 10/100 Base-Tx

Electrical Specifications @ 25 °C

Turns Ratio	
TX ± 5%	1CT*:1CT*
RX ± 5%	1CT*:1CT*
OCL (µH min).....	350
Interwinding Capacitance	
C _{ww} (pF typ.)	20
Leakage Inductance L _s (µH max.)	0.5
Hipot 60 sec. (V _{rms}).....	1500
DCR (Ω max.)	0.9
Polarity 1-16, 6-11 In-Phase	
Insertion Loss	
.... 0.3-100 MHz - 1.1 dB Max. (TX/RX)	
Return Loss	
0.3-30 MHz	-18 dB Min. (TX/RX)
40 MHz.....	-15 dB Min. (TX/RX)
50 MHz.....	-13 dB Min. (TX/RX)
60-80 MHz	-12 dB Min. (TX/RX)
Cross Talk	
0.3 - 60 MHz	-42 dB Min. (TX to RX)
60-100 MHz	-35 dB Min. (TX to RX)
Common Mode Rejection	
0.3-30 MHz	-40 dB Min. (TX/RX)
60-100 MHz	-35 dB Min. (TX/RX)
80-100 MHz	-30 dB Min. (TX/RX)
Operating Temperature ... 0 °C to +70 °C	

*CT: Center tap

Material

Termination
PT61017LPhosphor Bronze/Tin

Packaging Specifications

Tape & Reel 700 pcs. /reel

How To Order

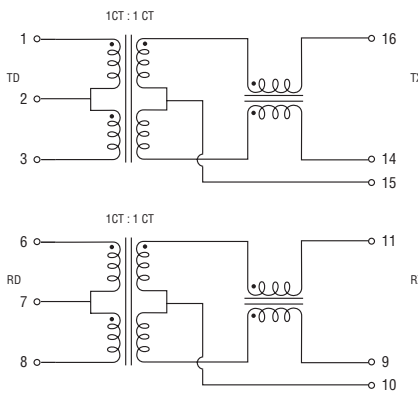
PT61017E L

Model _____

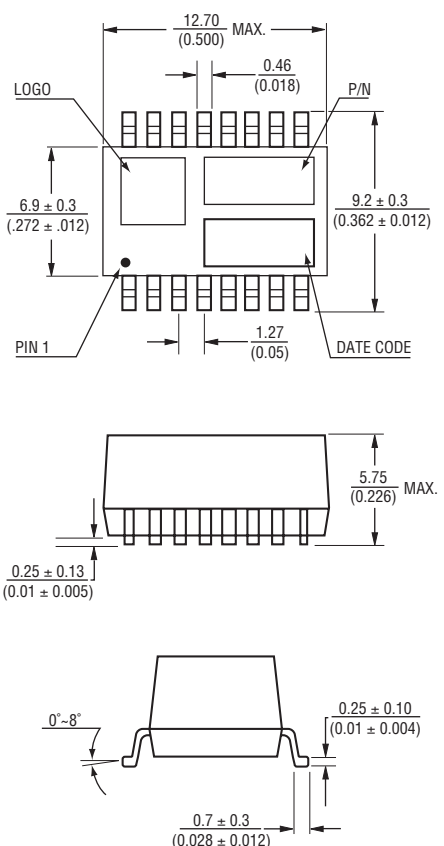
Termination _____

L = Tin only (RoHS Compliant)

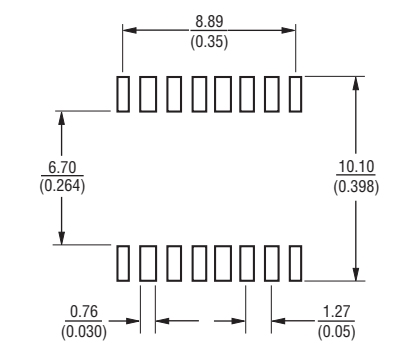
Electrical Schematic



Product Dimensions



Recommended Layout



DIMENSIONS: $\frac{\text{MM}}{\text{(INCHES)}}$

*RoHS Directive 2002/95/EC Jan 27, 2003 including Annex. Specifications are subject to change without notice. Customers should verify actual device performance in their specific applications.