

# Product data sheet

## Automation technology - Voltage and Power Supply

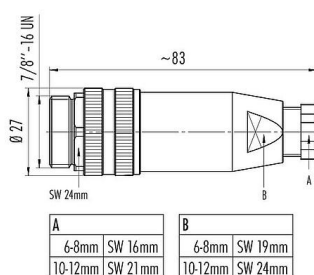


|                     |  |
|---------------------|--|
| Product description | 7/8" Male cable connector, Contacts: 4+PE, 6.0-8.0 mm, unshielded, screw clamp, IP67, UL 2238, VDE |
| Area                | series 820   |
| Part no.            | 99 2445 12 05  |

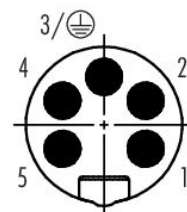
### Illustration



### Scale drawing



### Contact arrangement (Plug-in side)



You can find the component part drawing and assembly instructions on the next page.

## Technical data

### General features

|                           |                                    |
|---------------------------|------------------------------------|
| Part no.                  | 99 2445 12 05                      |
| Connector design          | Male cable connector               |
| Version                   | Connector pin straight             |
| Connector locking system  | screw                              |
| Termination               | screw clamp                        |
| Degree of protection      | IP67                               |
| Connection cross-section  | max. 1.50 mm <sup>2</sup> / AWG 16 |
| Cable outlet              | 6.0-8.0 mm                         |
| Temperature range from/to | -25 °C / 85 °C                     |
| Mechanical operation      | > 50 Mating cycles                 |
| Weight (g)                | 52.07                              |
| Customs tariff number     | 85369010                           |
| Country of Origin         | DE                                 |

### Electrical parameters

|                       |                      |
|-----------------------|----------------------|
| Rated voltage         | 300 V (600 V UL)     |
| Rated impulse voltage | 4000 V               |
| Rated current         | 9.0 A                |
| Insulation resistance | ≥ 10 <sup>10</sup> Ω |
| Pollution degree      | 3                    |
| Overvoltage category  | III                  |



# Product data sheet

## Automation technology - Voltage and Power Supply



|                     |  |
|---------------------|--|
| Product description | 7/8" Male cable connector, Contacts: 4+PE, 6.0-8.0 mm, unshielded, screw clamp, IP67, UL 2238, VDE |
| Area                | series 820   |
| Part no.            | 99 2445 12 05  |

|                           |            |
|---------------------------|------------|
| Insulating material group | III        |
| EMC compliance            | unshielded |

### Material

|                       |                                      |
|-----------------------|--------------------------------------|
| Housing material      | PBT                                  |
| Contact body material | PUR/PA                               |
| Contact material      | CuZn (brass) / CuSn (bronze)         |
| Contact plating       | Au (gold)                            |
| Locking material      | Zinc die-cast nickel-plated          |
| REACH SVHC            | CAS 7439-92-1 (Lead)                 |
| SCIP number           | 7a7d37d8-b4a6-42f2-b1ab-83ad50025883 |

### Authorization/approvals

|           |              |
|-----------|--------------|
| Approvals | UL 2238, VDE |
|-----------|--------------|

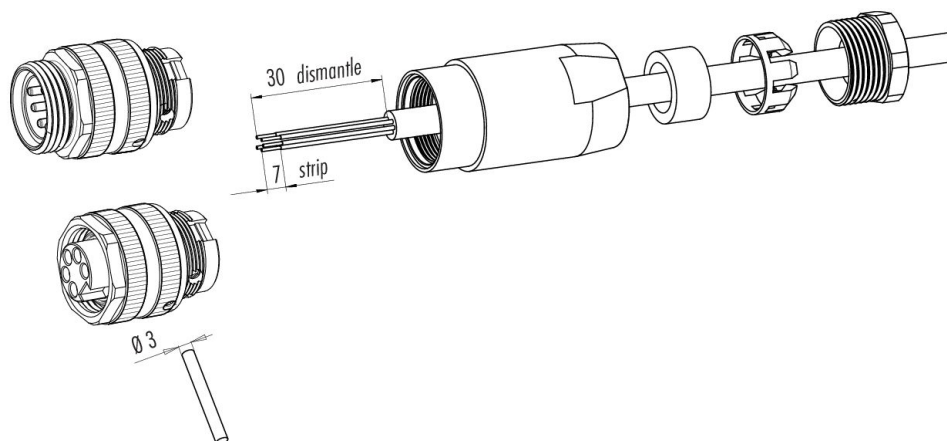
### Classifications

|             |             |
|-------------|-------------|
| eCl@ss 11.1 | 27-44-01-02 |
| ETIM 9.0    | EC002635    |

### Declarations of conformity

|                       |   |
|-----------------------|---|
| Low Voltage Directive | 2014/35/EU (EN 60529:1991   2014/35/EU;EN 60204-1:2018) |
|-----------------------|---|

### Assembly instructions



# Product data sheet

## Automation technology - Voltage and Power Supply

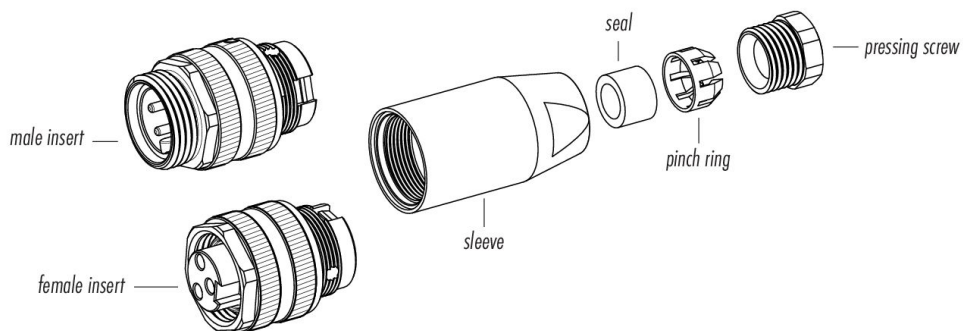


Product description **7/8" Male cable connector, Contacts: 4+PE, 6.0-8.0 mm, unshielded, screw clamp, IP67, UL 2238, VDE**

Area **series 820**

Part no. **99 2445 12 05**

### Component part drawing



|                     |   |
|---------------------|---|
| Product description | <b>7/8" Male cable connector, Contacts: 4+PE, 6.0-8.0 mm, unshielded, screw clamp, IP67, UL 2238, VDE</b> |
| Area                | <b>series 820</b>   |
| Part no.            | <b>99 2445 12 05</b>  |

## Security notices

The connector must not be plugged or unplugged under load. Non-observance and improper use can result in personal injury.

The connectors have been developed for applications in plant engineering, control and electrical equipment construction. The user is responsible for checking whether the connectors can also be used in other areas of application.

To protect against unintentional opening of the connector, the thread between the housing and the connector head must be secured with a suitable cyanoacrylate adhesive when used in circuits with voltages dangerous to the touch. This does not apply to connectors used in SELV and PELV circuits according to IEC 61140 (EN 61140, VDE 0140-1).

Connectors which are used in circuits with voltages dangerous to the touch may only be installed and used by, or under the supervision of, persons with electrical engineering training, taking into account the applicable regulations and standards.

The user must take suitable safety precautions to ensure that the connector cannot be accidentally disconnected.

Plug connectors with enclosure protection IP67 and IP68 are not suitable for use under water. When used outdoors, the plug connectors must be protected separately against corrosion. For further information on the IP protection classes, please refer to the "Technical Information" download centre.

Please observe the pollution degree and the overvoltage category. For further information, please refer to the download center "Technical Information".

To lock the cable connector to the device connector, we recommend tightening the threaded ring to 1.5 Nm. A suitable torque wrench is available as an accessory (order no. 07 0082 000).

## DECLARATION FROM THE MANUFACTURER

For part no.: 99 2445 12 05

14/07/2025

With regard to the

**Regulation (EC) No 1907/2006 of the European Parliament and of the Council of 18 December 2006 concerning the Registration, Evaluation, Authorisation and Restriction of Chemicals (REACH), establishing a European Chemicals Agency, amending Directive 1999/45/EC and repealing Council Regulation (EEC) No 793/93 and Commission Regulation (EC) No 1488/94 as well as Council Directive 76/769/EEC and Commission Directives 91/155/EEC, 93/67/EEC, 93/105/EC and 2000/21/EC.**

With the REACH regulation, the EU has created a uniform system for the Registration, Evaluation, Authorisation and restriction of CHEMicals – or REACH. The purpose of this regulation is to ensure a high level of protection of human health and the environment.

Franz Binder GmbH & Co. Elektrische Bauelemente KG hereby confirms that it acts as a downstream user (producer of products) according to the aforementioned regulation.

We obtain all raw materials and/or preparations, from which the connectors are made, from suppliers who have already registered or pre-registered all substances, including those present in the preparations. The products supplied by the company are not subject to registration.

With regard to Article 33(1) of the REACH regulation, Franz Binder GmbH & Co. Elektrische Bauelemente KG complies with its information obligations:

An up-to-date candidate list (candidate list of substances of very high concern for authorisation, as of 25/06/2025 see: <https://echa.europa.eu/de/candidate-list-table>) in accordance with Article 59 (1, 10) of the regulation (EC) No 1907/2006 (REACH) has been published.

The aforementioned article includes the following substances from the up-to-date candidate list in concentrations of more than 0,1 percent by mass:

- CAS 7439-92-1 (Lead)

Please refer any questions to our Product Compliance Team:

[Product-Compliance@binder-connector.de](mailto:Product-Compliance@binder-connector.de)

## DECLARATION FROM THE MANUFACTURER

For part no.: 99 2445 12 05

14/07/2025

With regard to the

### COMMISSION DELEGATED DIRECTIVE (EU) 2015/863 of 31 March 2015

**amending Annex II to Directive 2011/65/EU of the European Parliament and of the Council as regards  
the list of restricted substances**

Directive 2011/65/EU stipulates provisions on the restriction of the use of hazardous substances in electrical and electronic equipment (EEE) with a view to contributing to the protection of human health and the environment, including the environmentally sound recovery and disposal of EEE waste.

#### ANNEX II

Restricted substances referred to in Article 4(1) and maximum concentration values tolerated by weight in homogeneous materials

Lead (0,1%) mercury (0,1%) cadmium (0,01%) hexavalent chromium (0,1%) polybrominated biphenyls (PBB) (0,1%) polybrominated diphenyl ethers (PBDE) (0,1%) bis(2-ethylhexyl) phthalate (DEHP) (0,1%) butyl benzyl phthalate (BBP) (0,1%) dibutyl phthalate (DBP) (0,1%) diisobutyl phthalate (DIBP) (0,1%)

Franz Binder GmbH & Co. Elektrische Bauelemente KG hereby confirms that it complies with all standard articles of the aforementioned Directive. Our products do not contain any of the specified prohibited substances above the maximum permitted concentrations specified therein, taking into account the exemptions in Annex III of Directive 2011/65/EU.

- Complies with RoHS III with exemption 6c

Please refer any questions to our Product Compliance Team:

Product-Compliance@binder-connector.de

## MANUFACTURER'S DECLARATION

For part no.: 99 2445 12 05

14/07/2025

with regard to

### Declaration of compliance with China RoHS – Components

We herewith declare the compliance of this product with the Chinese marking requirements. This product can be recycled and used safely during its environmentally friendly use period of 50 years. These articles will be sold as components only for manufacturing. According to the Electronic Industry Standard SJ/T 11364-2014 it needs not to be marked with Environmentally Friendly Use Period (EFUP) label. This product should be recycled after its environmental protection use period has expired because it may contain substances or elements as shown in the following table:

| Part Name  | Hazardous Substance |              |              |                              |                                |                                       |
|------------|---------------------|--------------|--------------|------------------------------|--------------------------------|---------------------------------------|
|            | Lead (Pb)           | Mercury (Hg) | Cadmium (Cd) | Hexavalent Chromium (Cr(VI)) | Polybrominated biphenyls (PBB) | Polybrominated diphenyl ethers (PBDE) |
| Connectors | X                   | 0            | 0            | 0                            | 0                              | 0                                     |

This table is prepared in accordance with the provisions of SJ/T 11364.

0: Indicates that said hazardous substance contained in all of the homogeneous materials for this part is below the limit requirement of GB/T 26572

X: Indicates that said hazardous substance contained in at least one of the homogeneous materials used for this part is above the limit requirement of GB/T 26572

The table shows where these substances may be found in this Electrical and Electronic Product.

Please refer any questions to our Product Compliance Team:

Product-Compliance@binder-connector.de

# Certificate of Compliance

**Certificate Number:**  
UL-US-L302391-081211-  
12207002-5

**Report Reference:**  
E302391-20070221

**Issue Date:**  
2025-02-18

Issued to:

**Franz Binder GmbH & Co. Elektrische Bauelemente KG**  
**Roetelstrasse 27 Neckarsulm 74172**  
**Germany**

This certificate confirms that representative samples of:  
**CYJV2 - Cable Assemblies and Fittings for Industrial Control and Signal Distribution - Component**

**See Addendum Page for Product Designation(s).**

Have been evaluated by UL in accordance with the component requirements in the Standard(s) indicated on this Certificate. UL Recognized components are incomplete in certain constructional features or restricted in performance capabilities and are intended for installation in complete equipment submitted for investigation to UL LLC.

**UL 2238, Edition 3, Issue Date 2018-10-02, Revision Date 2024-01-03**

Additional Information:

See UL Product iQ® at <https://iq.ulprospector.com> for additional information.

This Certificate of Compliance indicates that representative samples of the product described in the certification report have met the requirements for UL certification. It does not provide authorization to apply the UL Recognized Component Mark. Only the Authorization Page that references the Follow-Up Services Procedure for ongoing surveillance provides authorization to apply the UL Mark.

Only those products bearing the UL Recognized Component Mark should be considered as being UL Certified and covered under UL's Follow-Up Services.

Look for the UL Recognized Component Mark on the product.



A handwritten signature in black ink that reads 'David Piecuch'.

David Piecuch  
UL Mark Certification Program Owner

Any information and documentation involving UL Mark services are provided on behalf of UL LLC (UL) or any authorized licensee of UL. For questions, please contact UL Solutions Customer Service at <https://www.ul.com/contact-us>.

# CERTIFICATE OF COMPLIANCE

**Certificate number** UL-US-L302391-081211-12207002-5  
**Report reference** E302391-20070221  
**Date** 2025-02-18

This is to certify that representative samples of the product as specified on this certificate were tested according to the current UL requirements.

| <b>Model</b>   | <b>Product Description</b>                     |
|----------------|--|
| 0429-145-04    | Male cable fittings, "715 Series"              |
| 09 2247 330 03 | Panel-mounted conductor fittings, "820 Series" |
| 09 2248 330 04 | Panel-mounted conductor fittings, "820 Series" |
| 09 2446 00 03  | Panel-mounted conductor fittings, "820 Series" |
| 09 2446 100 03 | Panel-mounted conductor fittings, "820 Series" |
| 09 2446 180 03 | Panel-mounted conductor fittings, "820 Series" |
| 09 2446 300 03 | Panel-mounted conductor fittings, "820 Series" |
| 09 2446 310 03 | Panel-mounted conductor fittings, "820 Series" |
| 09 2446 320 03 | Panel-mounted conductor fittings, "820 Series" |
| 09 2446 330 03 | Panel-mounted conductor fittings, "820 Series" |
| 09 2447 00 03  | Panel-mounted conductor fittings, "820 Series" |
| 09 2447 100 03 | Panel-mounted conductor fittings, "820 Series" |
| 09 2447 180 03 | Panel-mounted conductor fittings, "820 Series" |
| 09 2447 214 03 | Panel-mounted conductor fittings, "820 Series" |
| 09 2447 300 03 | Panel-mounted conductor fittings, "820 Series" |
| 09 2447 310 03 | Panel-mounted conductor fittings, "820 Series" |
| 09 2447 320 03 | Panel-mounted conductor fittings, "820 Series" |
| 09 2448 00 04  | Panel-mounted conductor fittings, "820 Series" |
| 09 2448 100 04 | Panel-mounted conductor fittings, "820 Series" |
| 09 2448 150 04 | Panel-mounted conductor fittings, "820 Series" |
| 09 2448 180 04 | Panel-mounted conductor fittings, "820 Series" |



Any information and documentation involving UL Mark services are provided on behalf of UL LLC (UL) or any authorized licensee of UL. For questions, please contact UL Solutions Customer Service at <https://www.ul.com/contact-us>.

# CERTIFICATE OF COMPLIANCE

**Certificate number** UL-US-L302391-081211-12207002-5  
**Report reference** E302391-20070221  
**Date** 2025-02-18

|                |  |
|----------------|--|
| 09 2448 300 04 | Panel-mounted conductor fittings, "820 Series" |
| 09 2448 310 04 | Panel-mounted conductor fittings, "820 Series" |
| 09 2448 320 04 | Panel-mounted conductor fittings, "820 Series" |
| 09 2449 00 04  | Panel-mounted conductor fittings, "820 Series" |
| 09 2449 100 04 | Panel-mounted conductor fittings, "820 Series" |
| 09 2449 180 04 | Panel-mounted conductor fittings, "820 Series" |
| 09 2449 214 04 | Panel-mounted conductor fittings, "820 Series" |
| 09 2449 300 04 | Panel-mounted conductor fittings, "820 Series" |
| 09 2449 310 04 | Panel-mounted conductor fittings, "820 Series" |
| 09 2449 320 04 | Panel-mounted conductor fittings, "820 Series" |
| 09 2449 325 04 | Panel-mounted conductor fittings, "820 Series" |
| 09 2449 330 04 | Panel-mounted conductor fittings, "820 Series" |
| 09 2450 00 05  | Panel-mounted conductor fittings, "820 Series" |
| 09 2450 100 05 | Panel-mounted conductor fittings, "820 Series" |
| 09 2450 180 05 | Panel-mounted conductor fittings, "820 Series" |
| 09 2450 300 05 | Panel-mounted conductor fittings, "820 Series" |
| 09 2450 310 05 | Panel-mounted conductor fittings, "820 Series" |
| 09 2450 320 05 | Panel-mounted conductor fittings, "820 Series" |
| 09 2450 330 05 | Panel-mounted conductor fittings, "820 Series" |
| 09 2451 00 05  | Panel-mounted conductor fittings, "820 Series" |
| 09 2451 100 05 | Panel-mounted conductor fittings, "820 Series" |
| 09 2451 180 05 | Panel-mounted conductor fittings, "820 Series" |
| 09 2451 300 05 | Panel-mounted conductor fittings, "820 Series" |
| 09 2451 310 05 | Panel-mounted conductor fittings, "820 Series" |



Any information and documentation involving UL Mark services are provided on behalf of UL LLC (UL) or any authorized licensee of UL. For questions, please contact UL Solutions Customer Service at <https://www.ul.com/contact-us>.

# CERTIFICATE OF COMPLIANCE

**Certificate number**    UL-US-L302391-081211-12207002-5  
**Report reference**     E302391-20070221  
**Date**                     2025-02-18

|  |  |
|--|--|
| 09 2451 320 05   | Panel-mounted conductor fittings, "820 Series" |
| 09 2451 330 05   | Panel-mounted conductor fittings, "820 Series" |
| 09 3431 414 04   | Inlets, "713 Series"                           |
| 09 3481 415 08   | Inlets, "713 Series"                           |
| 09 3481 416 08   | Inlets, "713 Series"                           |
| 09 3481 41708  | Inlets, "713 Series"                           |
| <b>Outlet Series 765</b> , 09 6491 000 05, 09 6491 100 05                  | Panel mount fittings                           |
| <b>Outlet Series 765</b> , 09 6492 000 05, 09 6492 100 05, 09 6492 200 05  | Panel mount fittings                           |
| <b>Outlet Series 765</b> , 09 6503 000 08, 09 6503 100 08                  | Panel mount fittings                           |
| <b>Outlet Series 765</b> , 09 6504 000 08, 09 6504 100 08, 09 6504 200 08, | Panel mount fittings                           |
| <b>Outlet Series 765</b> , 09 6519 000 12, 09 6519 100 12                  | Panel mount fittings                           |
| <b>Outlet Series 765</b> , 09 6520 000 12, 09 6520 100 12, 09 6520 200 12  | Panel mount fittings                           |
| 09-0631-300-04   | Inlets, "813 Series"                           |
| 09-0631-320-04   | Inlets, "813 Series"                           |
| 09-0631-642-04   | Inlets, "813 Series"                           |
| 09-0631-83-04  | Inlets, "813 Series"                           |
| 09-0631-90-04  | Inlets, "813 Series"                           |
| 09-0632-120-04   | Outlets, "813 Series"                          |
| 09-0632-300-04   | Outlets, "813 Series"                          |
| 09-0632-321-04   | Outlets, "813 Series"                          |
| 09-0632-642-04   | Outlets, "813 Series"                          |
| 09-0632-90-04  | Outlets, "813 Series"                          |
| <b>Series 823</b> , 09-0641-100-05   | Inlets   |
| <b>Inlets, "823 Series"</b> , 09-0641-700-05                               | Inlets, "814 Series"                           |
| <b>Outlets, "823 Series"</b> , 09-0642-100-05                              | Outlets, "814 Series"                          |
| <b>Inlets, "823 Series"</b> , 09-0642-400-05                               | Inlets, "814 Series"                           |
| <b>Outlets, "823 Series"</b> , 09-0642-400-05                              | Outlets, "814 Series"                          |
| <b>Outlets, "823 Series"</b> , 09-0642-700-05                              | Outlets, "814 Series"                          |
| <b>Inlets, "823 Series"</b> , 09-0642-800-05                               | Inlets, "814 Series"                           |
| <b>Outlets, "823 Series"</b> , 09-0642-800-05                              | Outlets, "814 Series"                          |
| <b>Outlets, "823 Series"</b> , 09-0642-90-04                               | Outlets, "814 Series"                          |
| <b>Outlets, "823 Series"</b> , 09-0642-900-04                              | Outlets, "814 Series"                          |
| 09-0687-700-03   | Inlets, "814 Series"                           |
| 09-0688-700-03   | Outlets, "814 Series"                          |
| 09-0691-121-04   | Inlets, "814 Series"                           |
| 09-0691-642-04   | Inlets, "814 Series"                           |
| 09-0692-121-04   | Outlets, "814 Series"                          |
| 09-0692-642-04   | Outlets, "814 Series"                          |
| 09-0694-500-04   | Outlets, "814 Series"                          |
| <b>Inlets, "824 Series"</b> , 09-0701-300-05                               | Inlets, "814 Series"                           |
| <b>Inlets, "824 Series"</b> , 09-0701-400-05                               | Inlets, "814 Series"                           |
| <b>Inlets, "824 Series"</b> , 09-0701-700-05                               | Inlets, "814 Series"                           |
| <b>Inlets, "824 Series"</b> , 09-0701-800-05                               | Inlets, "814 Series"                           |



Any information and documentation involving UL Mark services are provided on behalf of UL LLC (UL) or any authorized licensee of UL. For questions, please contact UL Solutions Customer Service at <https://www.ul.com/contact-us>.

© 2025 UL LLC. All rights reserved.  
Form-ULID-019496 – ver 1.0

# CERTIFICATE OF COMPLIANCE

**Certificate number**    UL-US-L302391-081211-12207002-5  
**Report reference**     E302391-20070221  
**Date**                     2025-02-18

|  |   |
|--|---|
| <b>Outlets, "824 Series"</b> , 09-0702-300-05  | Outlets, "814 Series"                           |
| <b>Outlets, "824 Series"</b> , 09-0702-400-05  | Outlets, "814 Series"                           |
| <b>Outlets, "824 Series"</b> , 09-0702-700-05  | Outlets, "814 Series"                           |
| <b>Outlets, "824 Series"</b> , 09-0702-800-05  | Outlets, "814 Series"                           |
| 09-3431-433-04   | Inlets, "Power 713 Series"                      |
| 09-3431-437-04   | Inlets, "Power 713 Series"                      |
| 09-3432-433-04   | Outlets, "Power 713 Series"                     |
| 09-3432-437-04   | Outlets, "Power 713 Series"                     |
| 09-3441-433-05   | Inlets, "Power 713 Series"                      |
| 09-3442-433-05   | Outlets, "Power 713 Series"                     |
| <b>Outlet Series 765</b> , 09-5240-10-04   | Outlets, "Power 713 Series"                     |
| <b>Inlets, "765 Series"</b> , 09-5241-10-05  | Inlets, "Power 713 Series"                      |
| 09-5242-00-04  | Inlets, "715 Series"                            |
| <b>Outlet Series 765</b> , 09-5244-10-08   | Outlets, "Power 713 Series"                     |
| 09-5245-00-04  | Inlets, "825 Series"                            |
| 09-5245-00-04  | Male cable fittings, "825 Series"               |
| 09-5246-00-04  | Female cable fittings, "825 Series"             |
| 09-5246-00-04  | Outlets, "825 Series"                           |
| 09-5260-10-04  | Outlets, "813 Series"                           |
| 09-5270-10-03  | Outlets, "814 Series"                           |
| 09-5271-10-04  | Inlets, "814 Series"                            |
| <b>Outlets, "824 Series"</b> , 09-5290-10-05   | Outlets, "814 Series"                           |
| <b>Inlets, "823 Series"</b> , 09-5291-10-05  | Inlets, "814 Series"                            |
| 09-692-300-04  | Outlets, "814 Series"                           |
| 09-692-321-04  | Outlets, "814 Series"                           |
| 2-24 pole  | Female sockets, dip solder, front fastened      |
| 2-24 pole  | Male sockets, dip solder, front fastened        |
| 2-24 pole  | Female sockets, solder connector front fastened |
| 2-24 pole  | Male sockets, solder connector front fastened   |
| 86 followed by suffixes: 01 thru 12, 21 thru 29 or 41 thru 48 or 70, followed by 32, followed by 0 thru 3, followed by 0 or 1, followed by 00, 01, 02, 03, 11, 13, 14, 16, 20 or 21, followed by 00 or any two digits, followed by 0 thru 6, followed by 04, 05, 08 or 12 followed by any other 4 digits.(@) | Outlets, "713 Series"                           |
| 99 0529 12 04  | Male cable fittings, "713 Series"               |
| 99 0529 14 04  | Male cable fittings, "713 Series"               |
| 99 0529 24 04  | Male cable fittings, "713 Series"               |
| 99 0529 52 04  | Male cable fittings, "713 Series"               |
| 99 0530 12 04  | Female cable fittings, "713 Series"             |
| 99 0530 14 04  | Female cable fittings, "713 Series"             |
| 99 0530 24 04  | Female cable fittings, "713 Series"             |
| 99 0530 52 04  | Female cable fittings, "713 Series"             |
| 99 1433 810 04   | Male cable fittings, "715 Series"               |
| 99 1433 814 04   | Male cable fittings, "713 Series"               |
| 99 1433 820 04   | Male cable fittings, "715 Series"               |



Any information and documentation involving UL Mark services are provided on behalf of UL LLC (UL) or any authorized licensee of UL. For questions, please contact UL Solutions Customer Service at <https://www.ul.com/contact-us>.

© 2025 UL LLC. All rights reserved.  
Form-ULID-019496 – ver 1.0

# CERTIFICATE OF COMPLIANCE

**Certificate number**    UL-US-L302391-081211-12207002-5  
**Report reference**      E302391-20070221  
**Date**                      2025-02-18

|                |   |
|----------------|---|
| 99 1433 824 04 | Male cable fittings, "713 Series"               |
| 99 1434 810 04 | Female cable fittings, "715 Series"             |
| 99 1434 814 04 | Female cable fittings, "713 Series"             |
| 99 1434 820 04 | Female cable fittings, "715 Series"             |
| 99 1434 824 04 | Female cable fittings, "713 Series"             |
| 99 3431 200 04 | Male inlets, M12 PCB, "763, 766, 876 Series"    |
| 99 3431 202 04 | Male inlets, M12 PCB, "763, 766, 876 Series"    |
| 99 3431 458 04 | Male inlets, M12 PCB, "763, 766, 876 Series"    |
| 99 3431 601 04 | Male inlets, M12 PCB, "763, 766, 876 Series"    |
| 99 3432 200 04 | Female outlets, M12 PCB, "763, 766, 876 Series" |
| 99 3432 202 04 | Female outlets, M12 PCB, "763, 766, 876 Series" |
| 99 3432 458 04 | Female outlets, M12 PCB, "763, 766, 876 Series" |
| 99 3432 601 04 | Female outlets, M12 PCB, "763, 766, 876 Series" |
| 99 3441 200 05 | Male inlets, M12 PCB, "763, 766, 876 Series"    |
| 99 3441 202 05 | Male inlets, M12 PCB, "763, 766, 876 Series"    |
| 99 3441 458 05 | Male inlets, M12 PCB, "763, 766, 876 Series"    |
| 99 3442 200 05 | Female outlets, M12 PCB, "763, 766, 876 Series" |
| 99 3442 202 05 | Female outlets, M12 PCB, "763, 766, 876 Series" |
| 99 3442 458 05 | Female outlets, M12 PCB, "763, 766, 876 Series" |
| 99 3442 458 05 | Male inlets, M12 PCB, "763, 766, 876 Series"    |
| 99 3442 601 05 | Female outlets, M12 PCB, "763, 766, 876 Series" |
| 99 3442 601 05 | Male inlets, M12 PCB, "763, 766, 876 Series"    |
| 99 3481 200 08 | Male inlets, M12 PCB, "763, 766, 876 Series"    |
| 99 3481 202 08 | Male inlets, M12 PCB, "763, 766, 876 Series"    |
| 99 3481 458 08 | Male inlets, M12 PCB, "763, 766, 876 Series"    |
| 99 3481 601 08 | Male inlets, M12 PCB, "763, 766, 876 Series"    |



Any information and documentation involving UL Mark services are provided on behalf of UL LLC (UL) or any authorized licensee of UL. For questions, please contact UL Solutions Customer Service at <https://www.ul.com/contact-us>.

# CERTIFICATE OF COMPLIANCE

**Certificate number**    UL-US-L302391-081211-12207002-5  
**Report reference**      E302391-20070221  
**Date**                      2025-02-18

|                                |   |
|--------------------------------|---|
| 99 3482 200 08                 | Female outlets, M12 PCB, "763, 766, 876 Series" |
| 99 3482 202 08                 | Female outlets, M12 PCB, "763, 766, 876 Series" |
| 99 3482 458 08                 | Female outlets, M12 PCB, "763, 766, 876 Series" |
| 99 3482 601 08                 | Female outlets, M12 PCB, "763, 766, 876 Series" |
| 99 3731 200 04                 | Male inlets, M12 PCB, "763, 766, 876 Series"    |
| 99 3731 201 04                 | Male inlets, M12 PCB, "763, 766, 876 Series"    |
| 99 3731 202 04                 | Male inlets, M12 PCB, "763, 766, 876 Series"    |
| 99 3731 203 04                 | Male inlets, M12 PCB, "763, 766, 876 Series"    |
| 99 3732 200 04                 | Female outlets, M12 PCB, "763, 766, 876 Series" |
| 99 3732 201 04                 | Female outlets, M12 PCB, "763, 766, 876 Series" |
| 99 3732 202 04                 | Female outlets, M12 PCB, "763, 766, 876 Series" |
| 99 3732 203 04                 | Female outlets, M12 PCB, "763, 766, 876 Series" |
| 99 4442 200 05                 | Female outlets, M12 PCB, "763, 766, 876 Series" |
| 99 4442 202 05                 | Female outlets, M12 PCB, "763, 766, 876 Series" |
| 99 4442 458 05                 | Female outlets, M12 PCB, "763, 766, 876 Series" |
| 99 4442 601 05                 | Female outlets, M12 PCB, "763, 766, 876 Series" |
| 99 4445 200 05                 | Male inlets, M12 PCB, "763, 766, 876 Series"    |
| 99 4445 202 05                 | Male inlets, M12 PCB, "763, 766, 876 Series"    |
| 99 4445 458 05                 | Male inlets, M12 PCB, "763, 766, 876 Series"    |
| 99 4445 601 05                 | Male inlets, M12 PCB, "763, 766, 876 Series"    |
| 99 6489 000 05, 99 6489 100 05 | Cable assemblies                                |
| 99 6490 000 05, 99 6490 100 05 | Cable assemblies                                |
| 99 6501 000 08, 99 6501 100 08 | Cable assemblies                                |
| 99 6502 000 08, 99 6502 100 08 | Cable assemblies                                |
| 99 6517 000 12, 99 6517 100 12 | Cable assemblies                                |
| 99 6518 000 12, 99 6518 100 12 | Cable assemblies                                |
| 99-0381-500-08                 | Inlets, "Power 713 Series"                      |
| 99-0382-500-08                 | Outlets, "Power 713 Series"                     |



Any information and documentation involving UL Mark services are provided on behalf of UL LLC (UL) or any authorized licensee of UL. For questions, please contact UL Solutions Customer Service at <https://www.ul.com/contact-us>.

# CERTIFICATE OF COMPLIANCE

**Certificate number**    UL-US-L302391-081211-12207002-5  
**Report reference**     E302391-20070221  
**Date**                     2025-02-18

|                |   |
|----------------|---|
| 99-0429-07-04  | Male cable fittings, "713 Series"         |
| 99-0429-105-04 | Male cable fittings, "715 Series"         |
| 99-0429-12-04  | Male cable fittings, "713 Series"         |
| 99-0429-135-04 | Male cable fittings, "715 Series"         |
| 99-0429-14-04  | Male cable fittings, "713 Series"         |
| 99-0429-142-04 | Male cable fittings, "713 Series"         |
| 99-0429-15-04  | Male cable fittings, "715 Series"         |
| 99-0429-158-04 | Male cable fittings, "713 Series"         |
| 99-0429-161-04 | Male cable fittings, "713 Series"         |
| 99-0429-162-04 | Male cable fittings, "713 Series"         |
| 99-0429-186-04 | Male cable fittings, "713 Series"         |
| 99-0429-19-04  | Male cable fittings, "Power 713 Series"   |
| 99-0429-20-04  | Male cable fittings, "713 Series"         |
| 99-0429-24-04  | Male cable fittings, "713 Series"         |
| 99-0429-27-04  | Male cable fittings, "713 Series"         |
| 99-0429-282-04 | Male cable fittings, "713 Series"         |
| 99-0429-286-04 | Male cable fittings, "713 Series"         |
| 99-0429-287-04 | Male cable fittings, "713 Series"         |
| 99-0429-292-04 | Male cable fittings, "713 Series"         |
| 99-0429-43-04  | Male cable fittings, "713 Series"         |
| 99-0429-44-04  | Male cable fittings, "713 Series"         |
| 99-0429-52-04  | Male cable fittings, "713 Series"         |
| 99-0429-57-04  | Male cable fittings, "713 Series"         |
| 99-0429-58-04  | Male cable fittings, "Power 713 Series"   |
| 99-0429-82-04  | Male cable fittings, "713 Series"         |
| 99-0429-92-04  | Male cable fittings, "713 Series"         |
| 99-0430-05-04  | Female cable fittings, "715 Series"       |
| 99-0430-07-04  | Female cable fittings, "713 Series"       |
| 99-0430-12-04  | Female cable fittings, "713 Series"       |
| 99-0430-135-04 | Female cable fittings, "715 Series"       |
| 99-0430-14-04  | Female cable fittings, "713 Series"       |
| 99-0430-142-04 | Female cable fittings, "713 Series"       |
| 99-0430-15-04  | Female cable fittings, "715 Series"       |
| 99-0430-158-04 | Female cable fittings, "713 Series"       |
| 99-0430-19-04  | Female cable fittings, "Power 713 Series" |
| 99-0430-20-04  | Female cable fittings, "713 Series"       |
| 99-0430-225-04 | Female cable fittings, "715 Series"       |
| 99-0430-235-04 | Female cable fittings, "715 Series"       |
| 99-0430-24-04  | Female cable fittings, "713 Series"       |
| 99-0430-25-04  | Female cable fittings, "715 Series"       |
| 99-0430-27-04  | Female cable fittings, "713 Series"       |
| 99-0430-282-04 | Female cable fittings, "713 Series"       |
| 99-0430-287-04 | Female cable fittings, "713 Series"       |
| 99-0430-292-04 | Female cable fittings, "713 Series"       |
| 99-0430-30-04  | Female cable fittings, "713 Series"       |
| 99-0430-52-04  | Female cable fittings, "713 Series"       |
| 99-0430-57-04  | Female cable fittings, "713 Series"       |



Any information and documentation involving UL Mark services are provided on behalf of UL LLC (UL) or any authorized licensee of UL. For questions, please contact UL Solutions Customer Service at <https://www.ul.com/contact-us>.

# CERTIFICATE OF COMPLIANCE

**Certificate number**    UL-US-L302391-081211-12207002-5  
**Report reference**        E302391-20070221  
**Date**                        2025-02-18

|                |   |
|----------------|---|
| 99-0430-58-04  | Female cable fittings, "Power 713 Series" |
| 99-0430-68-04  | Female cable fittings, "713 Series"       |
| 99-0430-69-04  | Female cable fittings, "713 Series"       |
| 99-0430-82-04  | Female cable fittings, "713 Series"       |
| 99-0430-92-04  | Female cable fittings, "713 Series"       |
| 99-0432-500-04 | Outlets, "Power 713 Series"               |
| 99-0433-500-05 | Inlets, "Power 713 Series"                |
| 99-0434-500-05 | Outlets, "Power 713 Series"               |
| 99-0436-00-05  | Female cable fittings, "713 Series"       |
| 99-0436-05-05  | Female cable fittings, "715 Series"       |
| 99-0436-10-05  | Female cable fittings, "713 Series"       |
| 99-0436-110-05 | Female cable fittings, "715 Series"       |
| 99-0436-12-05  | Female cable fittings, "713 Series"       |
| 99-0436-135-05 | Female cable fittings, "715 Series"       |
| 99-0436-14-05  | Female cable fittings, "713 Series"       |
| 99-0436-142-05 | Female cable fittings, "713 Series"       |
| 99-0436-15-05  | Female cable fittings, "715 Series"       |
| 99-0436-165-05 | Female cable fittings, "715 Series"       |
| 99-0436-19-05  | Female cable fittings, "Power 713 Series" |
| 99-0436-225-05 | Female cable fittings, "715 Series"       |
| 99-0436-235-05 | Female cable fittings, "715 Series"       |
| 99-0436-24-05  | Female cable fittings, "713 Series"       |
| 99-0436-25-05  | Female cable fittings, "715 Series"       |
| 99-0436-282-05 | Female cable fittings, "713 Series"       |
| 99-0436-287-05 | Female cable fittings, "713 Series"       |
| 99-0436-292-05 | Female cable fittings, "713 Series"       |
| 99-0436-52-05  | Female cable fittings, "713 Series"       |
| 99-0436-57-05  | Female cable fittings, "713 Series"       |
| 99-0436-58-05  | Female cable fittings, "Power 713 Series" |
| 99-0436-69-05  | Female cable fittings, "713 Series"       |
| 99-0436-82-05  | Female cable fittings, "713 Series"       |
| 99-0436-92-05  | Female cable fittings, "713 Series"       |
| 99-0437-105-05 | Male cable fittings, "715 Series"         |
| 99-0437-12-05  | Male cable fittings, "713 Series"         |
| 99-0437-135-05 | Male cable fittings, "715 Series"         |
| 99-0437-14-05  | Male cable fittings, "713 Series"         |
| 99-0437-142-05 | Male cable fittings, "713 Series"         |
| 99-0437-145-05 | Male cable fittings, "715 Series"         |
| 99-0437-15-05  | Male cable fittings, "715 Series"         |
| 99-0437-162-05 | Male cable fittings, "713 Series"         |
| 99-0437-19-05  | Male cable fittings, "Power 713 Series"   |
| 99-0437-24-05  | Male cable fittings, "713 Series"         |
| 99-0437-282-05 | Male cable fittings, "713 Series"         |
| 99-0437-286-05 | Male cable fittings, "713 Series"         |
| 99-0437-287-05 | Male cable fittings, "713 Series"         |
| 99-0437-292-05 | Male cable fittings, "713 Series"         |
| 99-0437-32-05  | Male cable fittings, "713 Series"         |



Any information and documentation involving UL Mark services are provided on behalf of UL LLC (UL) or any authorized licensee of UL. For questions, please contact UL Solutions Customer Service at <https://www.ul.com/contact-us>.

# CERTIFICATE OF COMPLIANCE

**Certificate number**    UL-US-L302391-081211-12207002-5  
**Report reference**        E302391-20070221  
**Date**                        2025-02-18

|   |   |
|---|---|
| 99-0437-43-05   | Male cable fittings, "713 Series"       |
| 99-0437-44-05   | Male cable fittings, "713 Series"       |
| 99-0437-52-05   | Male cable fittings, "713 Series"       |
| 99-0437-57-05   | Male cable fittings, "713 Series"       |
| 99-0437-58-05   | Male cable fittings, "Power 713 Series" |
| 99-0437-82-05   | Male cable fittings, "713 Series"       |
| 99-0437-92-05   | Male cable fittings, "713 Series"       |
| 99-0486-12-08   | Female cable fittings, "713 Series"     |
| 99-0486-282-08  | Female cable fittings, "713 Series"     |
| 99-0486-287-08  | Female cable fittings, "713 Series"     |
| 99-0487-12-08   | Male cable fittings, "713 Series"       |
| 99-0487-282-08  | Male cable fittings, "713 Series"       |
| 99-0487-287-08  | Male cable fittings, "713 Series"       |
| 99-0487-52-08   | Male cable fittings, "713 Series"       |
| 99-0491-12-12   | Male cable fittings, "713 Series"       |
| 99-0491-52-12   | Male cable fittings, "713 Series"       |
| 99-0492-12-12   | Female cable fittings, "713 Series"     |
| 99-0492-52-12   | Female cable fittings, "713 Series"     |
| 99-0629-24-04   | Male cable fittings, "813 Series"       |
| 99-0629-32-04   | Male cable fittings, "813 Series"       |
| 99-0630-24-04   | Female cable fittings, "813 Series"     |
| 99-0630-32-04   | Female cable fittings, "813 Series"     |
| <b>Male cable fittings, "823 Series", 99-0637-29-04</b>   | Male cable fittings, "813 Series"       |
| 99-0638-29-04   | Female cable fittings, "813 Series"     |
| <b>Male cable fittings, "823 Series", 99-0639-58-05</b>   | Male cable fittings, "813 Series"       |
| 99-0640-58-05   | Female cable fittings, "813 Series"     |
| <b>Inlets, "823 Series", 99-0641-10-05</b>                | Inlets, "814 Series"                    |
| <b>Inlets, "823 Series", 99-0641-20-05</b>                | Inlets, "814 Series"                    |
| <b>Outlets, "823 Series", 99-0642-10-05</b>               | Outlets, "814 Series"                   |
| <b>Outlets, "823 Series", 99-0642-20-05</b>               | Outlets, "814 Series"                   |
| 99-0685-19-03   | Male cable fittings, "814 Series"       |
| 99-0685-32-03   | Male cable fittings, "814 Series"       |
| 99-0686-19-03   | Female cable fittings, "814 Series"     |
| 99-0686-32-03   | Female cable fittings, "814 Series"     |
| 99-0689-24-04   | Male cable fittings, "814 Series"       |
| 99-0689-32-04   | Male cable fittings, "814 Series"       |
| 99-0690-24-04   | Female cable fittings, "814 Series"     |
| 99-0690-32-04   | Female cable fittings, "814 Series"     |
| 99-0691-300-04  | Inlets, "814 Series"                    |
| 99-0691-320-04  | Inlets, "814 Series"                    |
| 99-0693-500-04  | Inlets, "814 Series"                    |
| <b>Male cable fittings, "824 Series", 99-0699-58-05</b>   | Male cable fittings, "814 Series"       |
| <b>Female cable fittings, "824 Series", 99-0700-58-05</b> | Female cable fittings, "814 Series"     |
| 99-1429-810-04  | Male cable fittings, "715 Series"       |
| 99-1429-812-04  | Male cable fittings, "713 Series"       |
| 99-1429-814-04  | Male cable fittings, "713 Series"       |
| 99-1429-820-04  | Male cable fittings, "715 Series"       |



Any information and documentation involving UL Mark services are provided on behalf of UL LLC (UL) or any authorized licensee of UL. For questions, please contact UL Solutions Customer Service at <https://www.ul.com/contact-us>.

# CERTIFICATE OF COMPLIANCE

**Certificate number**    UL-US-L302391-081211-12207002-5  
**Report reference**      E302391-20070221  
**Date**                      2025-02-18

|                |                                     |
|----------------|-------------------------------------|
| 99-1429-822-04 | Male cable fittings, "713 Series"   |
| 99-1429-824-04 | Male cable fittings, "713 Series"   |
| 99-1429-991-04 | Male cable fittings, "713 Series"   |
| 99-1429-992-04 | Male cable fittings, "713 Series"   |
| 99-1429-995-04 | Male cable fittings, "715 Series"   |
| 99-1430-810-04 | Female cable fittings, "715 Series" |
| 99-1430-812-04 | Female cable fittings, "713 Series" |
| 99-1430-814-04 | Female cable fittings, "713 Series" |
| 99-1430-820-04 | Female cable fittings, "715 Series" |
| 99-1430-822-04 | Female cable fittings, "713 Series" |
| 99-1430-824-04 | Female cable fittings, "713 Series" |
| 99-1430-991-04 | Female cable fittings, "713 Series" |
| 99-1430-992-04 | Female cable fittings, "713 Series" |
| 99-1430-995-04 | Female cable fittings, "715 Series" |
| 99-1431-810-04 | Male cable fittings, "715 Series"   |
| 99-1431-814-04 | Male cable fittings, "713 Series"   |
| 99-1431-820-04 | Male cable fittings, "715 Series"   |
| 99-1431-824-04 | Male cable fittings, "713 Series"   |
| 99-1432-810-04 | Female cable fittings, "715 Series" |
| 99-1432-814-04 | Female cable fittings, "713 Series" |
| 99-1432-820-04 | Female cable fittings, "715 Series" |
| 99-1432-824-04 | Female cable fittings, "713 Series" |
| 99-1436-810-05 | Female cable fittings, "715 Series" |
| 99-1436-812-05 | Female cable fittings, "713 Series" |
| 99-1436-814-05 | Female cable fittings, "713 Series" |
| 99-1436-820-05 | Female cable fittings, "715 Series" |
| 99-1436-822-05 | Female cable fittings, "713 Series" |
| 99-1436-824-05 | Female cable fittings, "713 Series" |
| 99-1436-910-05 | Female cable fittings, "715 Series" |
| 99-1436-914-05 | Female cable fittings, "713 Series" |
| 99-1436-920-05 | Female cable fittings, "715 Series" |
| 99-1436-935-05 | Female cable fittings, "715 Series" |
| 99-1436-991-05 | Female cable fittings, "713 Series" |
| 99-1436-992-05 | Female cable fittings, "713 Series" |
| 99-1436-995-05 | Female cable fittings, "715 Series" |
| 99-1437-810-05 | Male cable fittings, "715 Series"   |
| 99-1437-812-05 | Male cable fittings, "713 Series"   |
| 99-1437-814-05 | Male cable fittings, "713 Series"   |
| 99-1437-820-05 | Male cable fittings, "715 Series"   |
| 99-1437-822-05 | Male cable fittings, "713 Series"   |
| 99-1437-824-05 | Male cable fittings, "713 Series"   |
| 99-1437-910-05 | Male cable fittings, "715 Series"   |
| 99-1437-920-05 | Male cable fittings, "715 Series"   |
| 99-1437-935-05 | Male cable fittings, "715 Series"   |
| 99-1437-991-05 | Male cable fittings, "713 Series"   |
| 99-1437-992-05 | Male cable fittings, "713 Series"   |
| 99-1437-995-05 | Male cable fittings, "715 Series"   |



Any information and documentation involving UL Mark services are provided on behalf of UL LLC (UL) or any authorized licensee of UL. For questions, please contact UL Solutions Customer Service at <https://www.ul.com/contact-us>.

# CERTIFICATE OF COMPLIANCE

**Certificate number**    UL-US-L302391-081211-12207002-5  
**Report reference**        E302391-20070221  
**Date**                         2025-02-18

|                |                                     |
|----------------|-------------------------------------|
| 99-1438-810-05 | Female cable fittings, "715 Series" |
| 99-1438-814-05 | Female cable fittings, "713 Series" |
| 99-1438-820-05 | Female cable fittings, "715 Series" |
| 99-1438-824-05 | Female cable fittings, "713 Series" |
| 99-1438-910-05 | Female cable fittings, "715 Series" |
| 99-1439-810-05 | Male cable fittings, "715 Series"   |
| 99-1439-814-05 | Male cable fittings, "713 Series"   |
| 99-1439-820-05 | Male cable fittings, "715 Series"   |
| 99-1439-824-05 | Male cable fittings, "713 Series"   |
| 99-1439-910-05 | Male cable fittings, "715 Series"   |
| 99-1486-812-08 | Female cable fittings, "713 Series" |
| 99-1486-914-08 | Female cable fittings, "713 Series" |
| 99-1487-812-08 | Male cable fittings, "713 Series"   |
| 99-1487-814-08 | Male cable fittings, "713 Series"   |
| 99-1487-914-08 | Male cable fittings, "713 Series"   |
| 99-1487-992-08 | Male cable fittings, "713 Series"   |
| 99-1488-812-08 | Female cable fittings, "713 Series" |
| 99-1488-814-08 | Female cable fittings, "713 Series" |
| 99-1488-824-08 | Female cable fittings, "713 Series" |
| 99-1489-812-08 | Male cable fittings, "713 Series"   |
| 99-1489-814-08 | Male cable fittings, "713 Series"   |
| 99-1489-824-08 | Male cable fittings, "713 Series"   |
| 99-1491-812-12 | Male cable fittings, "713 Series"   |
| 99-1491-822-12 | Male cable fittings, "713 Series"   |
| 99-1492-812-12 | Female cable fittings, "713 Series" |
| 99-1492-822-12 | Female cable fittings, "713 Series" |
| 99-1492-914-12 | Female cable fittings, "713 Series" |
| 99-1631-812-04 | Male cable fittings, "813 Series"   |
| 99-1631-814-04 | Male cable fittings, "813 Series"   |
| 99-1632-812-04 | Female cable fittings, "813 Series" |
| 99-1632-814-04 | Female cable fittings, "813 Series" |
| 99-2440-12-03  | Female cable fittings straight      |
| 99-2440-21-03  | Female cable fittings straight      |
| 99-2440-282-03 | Female cable fittings straight      |
| 99-2440-32-03  | Female cable fittings straight      |
| 99-2440-42-03  | Female cable fittings straight      |
| 99-2440-52-03  | Female cable fittings right angle   |
| 99-2440-62-03  | Female cable fittings right angle   |
| 99-2440-72-03  | Female cable fittings right angle   |
| 99-2441-12-03  | Male cable fittings straight        |
| 99-2441-21-03  | Male cable fittings straight        |
| 99-2441-282-03 | Male cable fittings straight        |
| 99-2441-32-03  | Male cable fittings straight        |
| 99-2441-42-03  | Male cable fittings straight        |
| 99-2441-52-03  | Male cable fittings right angle     |
| 99-2441-62-03  | Male cable fittings right angle     |
| 99-2441-72-03  | Male cable fittings right angle     |



Any information and documentation involving UL Mark services are provided on behalf of UL LLC (UL) or any authorized licensee of UL. For questions, please contact UL Solutions Customer Service at <https://www.ul.com/contact-us>.

# CERTIFICATE OF COMPLIANCE

**Certificate number**    UL-US-L302391-081211-12207002-5  
**Report reference**      E302391-20070221  
**Date**                      2025-02-18

|                |   |
|----------------|---|
| 99-2442-12-04  | Female cable fittings straight            |
| 99-2442-21-04  | Female cable fittings straight            |
| 99-2442-282-04 | Female cable fittings straight            |
| 99-2442-32-04  | Female cable fittings straight            |
| 99-2442-42-04  | Female cable fittings straight            |
| 99-2442-52-04  | Female cable fittings right angle         |
| 99-2442-62-04  | Female cable fittings right angle         |
| 99-2442-72-04  | Female cable fittings right angle         |
| 99-2443-12-04  | Male cable fittings straight              |
| 99-2443-21-04  | Male cable fittings straight              |
| 99-2443-282-04 | Male cable fittings straight              |
| 99-2443-32-04  | Male cable fittings straight              |
| 99-2443-42-04  | Male cable fittings straight              |
| 99-2443-52-04  | Male cable fittings right angle           |
| 99-2443-62-04  | Male cable fittings right angle           |
| 99-2443-72-04  | Male cable fittings right angle           |
| 99-2444-12-05  | Female cable fittings straight            |
| 99-2444-21-05  | Female cable fittings straight            |
| 99-2444-23-05  | Female cable fittings straight            |
| 99-2444-282-05 | Female cable fittings straight            |
| 99-2444-32-05  | Female cable fittings straight            |
| 99-2444-33-05  | Female cable fittings straight            |
| 99-2444-42-05  | Female cable fittings straight            |
| 99-2444-43-05  | Female cable fittings straight            |
| 99-2444-52-05  | Female cable fittings right angle         |
| 99-2444-62-05  | Female cable fittings right angle         |
| 99-2444-63-05  | Female cable fittings right angle         |
| 99-2444-72-05  | Female cable fittings right angle         |
| 99-2444-73-05  | Female cable fittings right angle         |
| 99-2445-12-05  | Male cable fittings straight              |
| 99-2445-21-05  | Male cable fittings straight              |
| 99-2445-23-05  | Male cable fittings straight              |
| 99-2445-282-05 | Male cable fittings straight              |
| 99-2445-32-05  | Male cable fittings straight              |
| 99-2445-33-05  | Male cable fittings straight              |
| 99-2445-42-05  | Male cable fittings straight              |
| 99-2445-43-05  | Male cable fittings straight              |
| 99-2445-52-05  | Male cable fittings right angle           |
| 99-2445-62-05  | Male cable fittings right angle           |
| 99-2445-63-05  | Male cable fittings right angle           |
| 99-2445-72-05  | Male cable fittings right angle           |
| 99-2445-73-05  | Male cable fittings right angle           |
| 99-3433-100-04 | Male Panel Mount connectors, "763 Series" |
| 99-3433-116-04 | Male Panel Mount connectors, "763 Series" |
| 99-3433-200-04 | Male Panel Mount connectors, "763 Series" |
| 99-3443-100-05 | Male Panel Mount connectors, "763 Series" |
| 99-3443-116-05 | Male Panel Mount connectors, "763 Series" |



Any information and documentation involving UL Mark services are provided on behalf of UL LLC (UL) or any authorized licensee of UL. For questions, please contact UL Solutions Customer Service at <https://www.ul.com/contact-us>.

# CERTIFICATE OF COMPLIANCE

**Certificate number**    UL-US-L302391-081211-12207002-5  
**Report reference**        E302391-20070221  
**Date**                        2025-02-18

|  |   |
|--|---|
| 99-3443-200-05   | Male Panel Mount connectors, "763 Series" |
| 99-3483-100-08   | Male Panel Mount connectors, "763 Series" |
| 99-3483-116-08   | Male Panel Mount connectors, "763 Series" |
| 99-3483-200-08   | Male Panel Mount connectors, "763 Series" |
| 99-3727-810-04   | Male cable fittings, "825 Series"         |
| 99-3727-820-04   | Male cable fittings, "825 Series"         |
| 99-3728-810-04   | Female cable fittings, "825 Series"       |
| 99-3728-820-04   | Female cable fittings, "825 Series"       |
| 99-3729-805-04   | Male cable fittings, "825 Series"         |
| 99-3729-810-04   | Male cable fittings, "825 Series"         |
| 99-3729-820-04   | Male cable fittings, "825 Series"         |
| 99-3729-995-04   | Male cable fittings, "825 Series"         |
| 99-3730-810-04   | Female cable fittings, "825 Series"       |
| 99-3730-820-04   | Female cable fittings, "825 Series"       |
| Female cable connector with cable clamp, crimp, size: 4 - 6mm, 6 - 8mm             | Cable assemblies, "Series 423/425/723"    |
| Female cable connector with cable clamp, screw clamp, size: 4 - 6mm, 6 - 8mm       | Cable assemblies, "Series 423/425/723"    |
| Female cable connector with shielding ring, solder, size: 4 - 6mm, 6 - 8mm, 8-10mm | Cable assemblies, "Series 423/425/723"    |
| Female cable connector, solder, short version size: 4-8 mm                         | Cable assemblies, "Series 423/425/723"    |
| Female socket, rectangular, crimp, size: 4-8 pole                                  | Cable assemblies, "Series 423/425/723"    |
| Male cable connector with cable clamp, screw clamp, size: 4 - 6mm, 6 - 8mm         | Cable assemblies, "Series 423/425/723"    |
| Male cable connector with shielding ring, solder, size: 4 - 6mm, 6 - 8mm, 8-10mm   | Cable assemblies, "Series 423/425/723"    |
| Male socket, rectangular, crimp, size: 4-8 pole                                    | Cable assemblies, "Series 423/425/723"    |



Any information and documentation involving UL Mark services are provided on behalf of UL LLC (UL) or any authorized licensee of UL. For questions, please contact UL Solutions Customer Service at <https://www.ul.com/contact-us>.

# Certificate of Compliance

**Certificate Number:**  
UL-CA-L302391-081511-  
12207002-5

**Report Reference:**  
E302391-20070221

**Issue Date:**  
2025-02-18

Issued to:

**Franz Binder GmbH & Co. Elektrische Bauelemente KG**  
**Roetelstrasse 27 Neckarsulm 74172**  
**Germany**

This certificate confirms that representative samples of:  
**CYJV8 - Cable Assemblies and Fittings for Industrial Control and Signal Distribution Certified for Canada - Component**

**See Addendum Page for Product Designation(s).**

Have been evaluated by UL in accordance with the component requirements in the Standard(s) indicated on this Certificate. UL Recognized components are incomplete in certain constructional features or restricted in performance capabilities and are intended for installation in complete equipment submitted for investigation to UL LLC.

**CSA C22.2 No. 182.3, 2nd Ed., Issue Date: 2016-07, Revision Date: 2021-5**

Additional Information:

See UL Product iQ® at <https://iq.ulprospector.com> for additional information.

This Certificate of Compliance indicates that representative samples of the product described in the certification report have met the requirements for UL certification. It does not provide authorization to apply the UL Recognized Component Mark. Only the Authorization Page that references the Follow-Up Services Procedure for ongoing surveillance provides authorization to apply the UL Mark.

Only those products bearing the UL Recognized Component Mark should be considered as being UL Certified and covered under UL's Follow-Up Services.

Look for the UL Recognized Component Mark on the product.



A handwritten signature in black ink, appearing to read 'David Piecuch'.

David Piecuch  
UL Mark Certification Program Owner

# CERTIFICATE OF COMPLIANCE

**Certificate number** UL-CA-L302391-081511-12207002-5  
**Report reference** E302391-20070221  
**Date** 2025-02-18

This is to certify that representative samples of the product as specified on this certificate were tested according to the current UL requirements.

| <b>Model</b>   | <b>Product Description</b>                     |
|----------------|--|
| 0429-145-04    | Male cable fittings, "715 Series"              |
| 09 2247 330 03 | Panel-mounted conductor fittings, "820 Series" |
| 09 2248 330 04 | Panel-mounted conductor fittings, "820 Series" |
| 09 2446 00 03  | Panel-mounted conductor fittings, "820 Series" |
| 09 2446 100 03 | Panel-mounted conductor fittings, "820 Series" |
| 09 2446 180 03 | Panel-mounted conductor fittings, "820 Series" |
| 09 2446 300 03 | Panel-mounted conductor fittings, "820 Series" |
| 09 2446 310 03 | Panel-mounted conductor fittings, "820 Series" |
| 09 2446 320 03 | Panel-mounted conductor fittings, "820 Series" |
| 09 2446 330 03 | Panel-mounted conductor fittings, "820 Series" |
| 09 2447 00 03  | Panel-mounted conductor fittings, "820 Series" |
| 09 2447 100 03 | Panel-mounted conductor fittings, "820 Series" |
| 09 2447 180 03 | Panel-mounted conductor fittings, "820 Series" |
| 09 2447 214 03 | Panel-mounted conductor fittings, "820 Series" |
| 09 2447 300 03 | Panel-mounted conductor fittings, "820 Series" |
| 09 2447 310 03 | Panel-mounted conductor fittings, "820 Series" |
| 09 2447 320 03 | Panel-mounted conductor fittings, "820 Series" |
| 09 2448 00 04  | Panel-mounted conductor fittings, "820 Series" |
| 09 2448 100 04 | Panel-mounted conductor fittings, "820 Series" |
| 09 2448 150 04 | Panel-mounted conductor fittings, "820 Series" |
| 09 2448 180 04 | Panel-mounted conductor fittings, "820 Series" |



Any information and documentation involving UL Mark services are provided on behalf of UL LLC (UL) or any authorized licensee of UL. For questions, please contact UL Solutions Customer Service at <https://www.ul.com/contact-us>.

# CERTIFICATE OF COMPLIANCE

**Certificate number**    UL-CA-L302391-081511-12207002-5  
**Report reference**      E302391-20070221  
**Date**                      2025-02-18

|                |  |
|----------------|--|
| 09 2448 300 04 | Panel-mounted conductor fittings, "820 Series" |
| 09 2448 310 04 | Panel-mounted conductor fittings, "820 Series" |
| 09 2448 320 04 | Panel-mounted conductor fittings, "820 Series" |
| 09 2449 00 04  | Panel-mounted conductor fittings, "820 Series" |
| 09 2449 100 04 | Panel-mounted conductor fittings, "820 Series" |
| 09 2449 180 04 | Panel-mounted conductor fittings, "820 Series" |
| 09 2449 214 04 | Panel-mounted conductor fittings, "820 Series" |
| 09 2449 300 04 | Panel-mounted conductor fittings, "820 Series" |
| 09 2449 310 04 | Panel-mounted conductor fittings, "820 Series" |
| 09 2449 320 04 | Panel-mounted conductor fittings, "820 Series" |
| 09 2449 325 04 | Panel-mounted conductor fittings, "820 Series" |
| 09 2449 330 04 | Panel-mounted conductor fittings, "820 Series" |
| 09 2450 00 05  | Panel-mounted conductor fittings, "820 Series" |
| 09 2450 100 05 | Panel-mounted conductor fittings, "820 Series" |
| 09 2450 180 05 | Panel-mounted conductor fittings, "820 Series" |
| 09 2450 300 05 | Panel-mounted conductor fittings, "820 Series" |
| 09 2450 310 05 | Panel-mounted conductor fittings, "820 Series" |
| 09 2450 320 05 | Panel-mounted conductor fittings, "820 Series" |
| 09 2450 330 05 | Panel-mounted conductor fittings, "820 Series" |
| 09 2451 00 05  | Panel-mounted conductor fittings, "820 Series" |
| 09 2451 100 05 | Panel-mounted conductor fittings, "820 Series" |
| 09 2451 180 05 | Panel-mounted conductor fittings, "820 Series" |
| 09 2451 300 05 | Panel-mounted conductor fittings, "820 Series" |
| 09 2451 310 05 | Panel-mounted conductor fittings, "820 Series" |



Any information and documentation involving UL Mark services are provided on behalf of UL LLC (UL) or any authorized licensee of UL. For questions, please contact UL Solutions Customer Service at <https://www.ul.com/contact-us>.

# CERTIFICATE OF COMPLIANCE

**Certificate number**    UL-CA-L302391-081511-12207002-5  
**Report reference**     E302391-20070221  
**Date**                     2025-02-18

|   |  |
|---|--|
| 09 2451 320 05  | Panel-mounted conductor fittings, "820 Series" |
| 09 2451 330 05  | Panel-mounted conductor fittings, "820 Series" |
| 09 3431 414 04  | Inlets, "713 Series"                           |
| 09 3481 415 08  | Inlets, "713 Series"                           |
| 09 3481 416 08  | Inlets, "713 Series"                           |
| 09 3481 41708   | Inlets, "713 Series"                           |
| <b>Outlet Series 765, 09 6491 000 05, 09 6491 100 05</b>                  | Panel mount fittings                           |
| <b>Outlet Series 765, 09 6492 000 05, 09 6492 100 05, 09 6492 200 05</b>  | Panel mount fittings                           |
| <b>Outlet Series 765, 09 6503 000 08, 09 6503 100 08</b>                  | Panel mount fittings                           |
| <b>Outlet Series 765, 09 6504 000 08, 09 6504 100 08, 09 6504 200 08,</b> | Panel mount fittings                           |
| <b>Outlet Series 765, 09 6519 000 12, 09 6519 100 12</b>                  | Panel mount fittings                           |
| <b>Outlet Series 765, 09 6520 000 12, 09 6520 100 12, 09 6520 200 12</b>  | Panel mount fittings                           |
| 09-0631-300-04  | Inlets, "813 Series"                           |
| 09-0631-320-04  | Inlets, "813 Series"                           |
| 09-0631-642-04  | Inlets, "813 Series"                           |
| 09-0631-83-04   | Inlets, "813 Series"                           |
| 09-0631-90-04   | Inlets, "813 Series"                           |
| 09-0632-120-04  | Outlets, "813 Series"                          |
| 09-0632-300-04  | Outlets, "813 Series"                          |
| 09-0632-321-04  | Outlets, "813 Series"                          |
| 09-0632-642-04  | Outlets, "813 Series"                          |
| 09-0632-90-04   | Outlets, "813 Series"                          |
| <b>Series 823, 09-0641-100-05</b>   | Inlets   |
| <b>Inlets, "823 Series", 09-0641-700-05</b>                               | Inlets, "814 Series"                           |
| <b>Outlets, "823 Series", 09-0642-100-05</b>                              | Outlets, "814 Series"                          |
| <b>Inlets, "823 Series", 09-0642-400-05</b>                               | Inlets, "814 Series"                           |
| <b>Outlets, "823 Series", 09-0642-400-05</b>                              | Outlets, "814 Series"                          |
| <b>Outlets, "823 Series", 09-0642-700-05</b>                              | Outlets, "814 Series"                          |
| <b>Inlets, "823 Series", 09-0642-800-05</b>                               | Inlets, "814 Series"                           |
| <b>Outlets, "823 Series", 09-0642-800-05</b>                              | Outlets, "814 Series"                          |
| <b>Outlets, "823 Series", 09-0642-90-04</b>                               | Outlets, "814 Series"                          |
| <b>Outlets, "823 Series", 09-0642-900-04</b>                              | Outlets, "814 Series"                          |
| 09-0687-700-03  | Inlets, "814 Series"                           |
| 09-0688-700-03  | Outlets, "814 Series"                          |
| 09-0691-121-04  | Inlets, "814 Series"                           |
| 09-0691-642-04  | Inlets, "814 Series"                           |
| 09-0692-121-04  | Outlets, "814 Series"                          |
| 09-0692-642-04  | Outlets, "814 Series"                          |
| 09-0694-500-04  | Outlets, "814 Series"                          |
| <b>Inlets, "824 Series", 09-0701-300-05</b>                               | Inlets, "814 Series"                           |
| <b>Inlets, "824 Series", 09-0701-400-05</b>                               | Inlets, "814 Series"                           |
| <b>Inlets, "824 Series", 09-0701-700-05</b>                               | Inlets, "814 Series"                           |



Any information and documentation involving UL Mark services are provided on behalf of UL LLC (UL) or any authorized licensee of UL. For questions, please contact UL Solutions Customer Service at <https://www.ul.com/contact-us>.

# CERTIFICATE OF COMPLIANCE

**Certificate number**    UL-CA-L302391-081511-12207002-5  
**Report reference**      E302391-20070221  
**Date**                      2025-02-18

|  |   |
|--|---|
| <b>Inlets, "824 Series", 09-0701-800-05</b>  | Inlets, "814 Series"                            |
| <b>Outlets, "824 Series", 09-0702-300-05</b>   | Outlets, "814 Series"                           |
| <b>Outlets, "824 Series", 09-0702-400-05</b>   | Outlets, "814 Series"                           |
| <b>Outlets, "824 Series", 09-0702-700-05</b>   | Outlets, "814 Series"                           |
| <b>Outlets, "824 Series", 09-0702-800-05</b>   | Outlets, "814 Series"                           |
| 09-3431-433-04   | Inlets, "Power 713 Series"                      |
| 09-3431-437-04   | Inlets, "Power 713 Series"                      |
| 09-3432-433-04   | Outlets, "Power 713 Series"                     |
| 09-3432-437-04   | Outlets, "Power 713 Series"                     |
| 09-3441-433-05   | Inlets, "Power 713 Series"                      |
| 09-3442-433-05   | Outlets, "Power 713 Series"                     |
| <b>Outlet Series 765, 09-5240-10-04</b>  | Outlets, "Power 713 Series"                     |
| <b>Inlets, "765 Series", 09-5241-10-05</b>   | Inlets, "Power 713 Series"                      |
| 09-5242-00-04  | Inlets, "715 Series"                            |
| <b>Outlet Series 765, 09-5244-10-08</b>  | Outlets, "Power 713 Series"                     |
| 09-5245-00-04  | Inlets, "825 Series"                            |
| 09-5245-00-04  | Male cable fittings, "825 Series"               |
| 09-5246-00-04  | Female cable fittings, "825 Series"             |
| 09-5246-00-04  | Outlets, "825 Series"                           |
| 09-5260-10-04  | Outlets, "813 Series"                           |
| 09-5270-10-03  | Outlets, "814 Series"                           |
| 09-5271-10-04  | Inlets, "814 Series"                            |
| <b>Outlets, "824 Series", 09-5290-10-05</b>  | Outlets, "814 Series"                           |
| <b>Inlets, "823 Series", 09-5291-10-05</b>   | Inlets, "814 Series"                            |
| 09-692-300-04  | Outlets, "814 Series"                           |
| 09-692-321-04  | Outlets, "814 Series"                           |
| 2-24 pole  | Female sockets, dip solder, front fastened      |
| 2-24 pole  | Male sockets, dip solder, front fastened        |
| 2-24 pole  | Female sockets, solder connector front fastened |
| 2-24 pole  | Male sockets, solder connector front fastened   |
| 86 followed by suffixes: 01 thru 12, 21 thru 29 or 41 thru 48 or 70, followed by 32, followed by 0 thru 3, followed by 0 or 1, followed by 00, 01, 02, 03, 11, 13, 14, 16, 20 or 21, followed by 00 or any two digits, followed by 0 thru 6, followed by 04, 05, 08 or 12 followed by any other 4 digits.(@) | Outlets, "713 Series"                           |
| 99 0529 12 04  | Male cable fittings, "713 Series"               |
| 99 0529 14 04  | Male cable fittings, "713 Series"               |
| 99 0529 24 04  | Male cable fittings, "713 Series"               |
| 99 0529 52 04  | Male cable fittings, "713 Series"               |
| 99 0530 12 04  | Female cable fittings, "713 Series"             |
| 99 0530 14 04  | Female cable fittings, "713 Series"             |
| 99 0530 24 04  | Female cable fittings, "713 Series"             |
| 99 0530 52 04  | Female cable fittings, "713 Series"             |
| 99 1433 810 04   | Male cable fittings, "715 Series"               |



Any information and documentation involving UL Mark services are provided on behalf of UL LLC (UL) or any authorized licensee of UL. For questions, please contact UL Solutions Customer Service at <https://www.ul.com/contact-us>.

# CERTIFICATE OF COMPLIANCE

**Certificate number**    UL-CA-L302391-081511-12207002-5  
**Report reference**        E302391-20070221  
**Date**                         2025-02-18

|                |   |
|----------------|---|
| 99 1433 814 04 | Male cable fittings, "713 Series"               |
| 99 1433 820 04 | Male cable fittings, "715 Series"               |
| 99 1433 824 04 | Male cable fittings, "713 Series"               |
| 99 1434 810 04 | Female cable fittings, "715 Series"             |
| 99 1434 814 04 | Female cable fittings, "713 Series"             |
| 99 1434 820 04 | Female cable fittings, "715 Series"             |
| 99 1434 824 04 | Female cable fittings, "713 Series"             |
| 99 3431 200 04 | Male inlets, M12 PCB, "763, 766, 876 Series"    |
| 99 3431 202 04 | Male inlets, M12 PCB, "763, 766, 876 Series"    |
| 99 3431 458 04 | Male inlets, M12 PCB, "763, 766, 876 Series"    |
| 99 3431 601 04 | Male inlets, M12 PCB, "763, 766, 876 Series"    |
| 99 3432 200 04 | Female outlets, M12 PCB, "763, 766, 876 Series" |
| 99 3432 202 04 | Female outlets, M12 PCB, "763, 766, 876 Series" |
| 99 3432 458 04 | Female outlets, M12 PCB, "763, 766, 876 Series" |
| 99 3432 601 04 | Female outlets, M12 PCB, "763, 766, 876 Series" |
| 99 3441 200 05 | Male inlets, M12 PCB, "763, 766, 876 Series"    |
| 99 3441 202 05 | Male inlets, M12 PCB, "763, 766, 876 Series"    |
| 99 3441 458 05 | Male inlets, M12 PCB, "763, 766, 876 Series"    |
| 99 3442 200 05 | Female outlets, M12 PCB, "763, 766, 876 Series" |
| 99 3442 202 05 | Female outlets, M12 PCB, "763, 766, 876 Series" |
| 99 3442 458 05 | Female outlets, M12 PCB, "763, 766, 876 Series" |
| 99 3442 458 05 | Male inlets, M12 PCB, "763, 766, 876 Series"    |
| 99 3442 601 05 | Female outlets, M12 PCB, "763, 766, 876 Series" |
| 99 3442 601 05 | Male inlets, M12 PCB, "763, 766, 876 Series"    |
| 99 3481 200 08 | Male inlets, M12 PCB, "763, 766, 876 Series"    |
| 99 3481 202 08 | Male inlets, M12 PCB, "763, 766, 876 Series"    |
| 99 3481 458 08 | Male inlets, M12 PCB, "763, 766, 876 Series"    |



Any information and documentation involving UL Mark services are provided on behalf of UL LLC (UL) or any authorized licensee of UL. For questions, please contact UL Solutions Customer Service at <https://www.ul.com/contact-us>.

# CERTIFICATE OF COMPLIANCE

**Certificate number**    UL-CA-L302391-081511-12207002-5  
**Report reference**        E302391-20070221  
**Date**                         2025-02-18

|                                |   |
|--------------------------------|---|
| 99 3481 601 08                 | Male inlets, M12 PCB, "763, 766, 876 Series"    |
| 99 3482 200 08                 | Female outlets, M12 PCB, "763, 766, 876 Series" |
| 99 3482 202 08                 | Female outlets, M12 PCB, "763, 766, 876 Series" |
| 99 3482 458 08                 | Female outlets, M12 PCB, "763, 766, 876 Series" |
| 99 3482 601 08                 | Female outlets, M12 PCB, "763, 766, 876 Series" |
| 99 3731 200 04                 | Male inlets, M12 PCB, "763, 766, 876 Series"    |
| 99 3731 201 04                 | Male inlets, M12 PCB, "763, 766, 876 Series"    |
| 99 3731 202 04                 | Male inlets, M12 PCB, "763, 766, 876 Series"    |
| 99 3731 203 04                 | Male inlets, M12 PCB, "763, 766, 876 Series"    |
| 99 3732 200 04                 | Female outlets, M12 PCB, "763, 766, 876 Series" |
| 99 3732 201 04                 | Female outlets, M12 PCB, "763, 766, 876 Series" |
| 99 3732 202 04                 | Female outlets, M12 PCB, "763, 766, 876 Series" |
| 99 3732 203 04                 | Female outlets, M12 PCB, "763, 766, 876 Series" |
| 99 4442 200 05                 | Female outlets, M12 PCB, "763, 766, 876 Series" |
| 99 4442 202 05                 | Female outlets, M12 PCB, "763, 766, 876 Series" |
| 99 4442 458 05                 | Female outlets, M12 PCB, "763, 766, 876 Series" |
| 99 4442 601 05                 | Female outlets, M12 PCB, "763, 766, 876 Series" |
| 99 4445 200 05                 | Male inlets, M12 PCB, "763, 766, 876 Series"    |
| 99 4445 202 05                 | Male inlets, M12 PCB, "763, 766, 876 Series"    |
| 99 4445 458 05                 | Male inlets, M12 PCB, "763, 766, 876 Series"    |
| 99 4445 601 05                 | Male inlets, M12 PCB, "763, 766, 876 Series"    |
| 99 6490 000 05, 99 6490 100 05 | Cable assemblies                                |
| 99 6501 000 08, 99 6501 100 08 | Cable assemblies                                |
| 99 6502 000 08, 99 6502 100 08 | Cable assemblies                                |
| 99 6517 000 12, 99 6517 100 12 | Cable assemblies                                |
| 99 6518 000 12, 99 6518 100 12 | Cable assemblies                                |
| 99-0381-500-08                 | Inlets, "Power 713 Series"                      |



Any information and documentation involving UL Mark services are provided on behalf of UL LLC (UL) or any authorized licensee of UL. For questions, please contact UL Solutions Customer Service at <https://www.ul.com/contact-us>.

# CERTIFICATE OF COMPLIANCE

**Certificate number**    UL-CA-L302391-081511-12207002-5  
**Report reference**      E302391-20070221  
**Date**                      2025-02-18

|                |   |
|----------------|---|
| 99-0382-500-08 | Outlets, "Power 713 Series"               |
| 99-0429-07-04  | Male cable fittings, "713 Series"         |
| 99-0429-105-04 | Male cable fittings, "715 Series"         |
| 99-0429-12-04  | Male cable fittings, "713 Series"         |
| 99-0429-135-04 | Male cable fittings, "715 Series"         |
| 99-0429-14-04  | Male cable fittings, "713 Series"         |
| 99-0429-142-04 | Male cable fittings, "713 Series"         |
| 99-0429-15-04  | Male cable fittings, "715 Series"         |
| 99-0429-158-04 | Male cable fittings, "713 Series"         |
| 99-0429-161-04 | Male cable fittings, "713 Series"         |
| 99-0429-162-04 | Male cable fittings, "713 Series"         |
| 99-0429-186-04 | Male cable fittings, "713 Series"         |
| 99-0429-19-04  | Male cable fittings, "Power 713 Series"   |
| 99-0429-20-04  | Male cable fittings, "713 Series"         |
| 99-0429-24-04  | Male cable fittings, "713 Series"         |
| 99-0429-27-04  | Male cable fittings, "713 Series"         |
| 99-0429-282-04 | Male cable fittings, "713 Series"         |
| 99-0429-286-04 | Male cable fittings, "713 Series"         |
| 99-0429-287-04 | Male cable fittings, "713 Series"         |
| 99-0429-292-04 | Male cable fittings, "713 Series"         |
| 99-0429-43-04  | Male cable fittings, "713 Series"         |
| 99-0429-44-04  | Male cable fittings, "713 Series"         |
| 99-0429-52-04  | Male cable fittings, "713 Series"         |
| 99-0429-57-04  | Male cable fittings, "713 Series"         |
| 99-0429-58-04  | Male cable fittings, "Power 713 Series"   |
| 99-0429-82-04  | Male cable fittings, "713 Series"         |
| 99-0429-92-04  | Male cable fittings, "713 Series"         |
| 99-0430-05-04  | Female cable fittings, "715 Series"       |
| 99-0430-07-04  | Female cable fittings, "713 Series"       |
| 99-0430-12-04  | Female cable fittings, "713 Series"       |
| 99-0430-135-04 | Female cable fittings, "715 Series"       |
| 99-0430-14-04  | Female cable fittings, "713 Series"       |
| 99-0430-142-04 | Female cable fittings, "713 Series"       |
| 99-0430-15-04  | Female cable fittings, "715 Series"       |
| 99-0430-158-04 | Female cable fittings, "713 Series"       |
| 99-0430-19-04  | Female cable fittings, "Power 713 Series" |
| 99-0430-20-04  | Female cable fittings, "713 Series"       |
| 99-0430-225-04 | Female cable fittings, "715 Series"       |
| 99-0430-235-04 | Female cable fittings, "715 Series"       |
| 99-0430-24-04  | Female cable fittings, "713 Series"       |
| 99-0430-25-04  | Female cable fittings, "715 Series"       |
| 99-0430-27-04  | Female cable fittings, "713 Series"       |
| 99-0430-282-04 | Female cable fittings, "713 Series"       |
| 99-0430-287-04 | Female cable fittings, "713 Series"       |
| 99-0430-292-04 | Female cable fittings, "713 Series"       |
| 99-0430-30-04  | Female cable fittings, "713 Series"       |
| 99-0430-52-04  | Female cable fittings, "713 Series"       |



Any information and documentation involving UL Mark services are provided on behalf of UL LLC (UL) or any authorized licensee of UL. For questions, please contact UL Solutions Customer Service at <https://www.ul.com/contact-us>.

# CERTIFICATE OF COMPLIANCE

**Certificate number**    UL-CA-L302391-081511-12207002-5  
**Report reference**      E302391-20070221  
**Date**                      2025-02-18

|                |   |
|----------------|---|
| 99-0430-57-04  | Female cable fittings, "713 Series"       |
| 99-0430-58-04  | Female cable fittings, "Power 713 Series" |
| 99-0430-68-04  | Female cable fittings, "713 Series"       |
| 99-0430-69-04  | Female cable fittings, "713 Series"       |
| 99-0430-82-04  | Female cable fittings, "713 Series"       |
| 99-0430-92-04  | Female cable fittings, "713 Series"       |
| 99-0432-500-04 | Outlets, "Power 713 Series"               |
| 99-0433-500-05 | Inlets, "Power 713 Series"                |
| 99-0434-500-05 | Outlets, "Power 713 Series"               |
| 99-0436-00-05  | Female cable fittings, "713 Series"       |
| 99-0436-05-05  | Female cable fittings, "715 Series"       |
| 99-0436-10-05  | Female cable fittings, "713 Series"       |
| 99-0436-110-05 | Female cable fittings, "715 Series"       |
| 99-0436-12-05  | Female cable fittings, "713 Series"       |
| 99-0436-135-05 | Female cable fittings, "715 Series"       |
| 99-0436-14-05  | Female cable fittings, "713 Series"       |
| 99-0436-142-05 | Female cable fittings, "713 Series"       |
| 99-0436-15-05  | Female cable fittings, "715 Series"       |
| 99-0436-165-05 | Female cable fittings, "715 Series"       |
| 99-0436-19-05  | Female cable fittings, "Power 713 Series" |
| 99-0436-225-05 | Female cable fittings, "715 Series"       |
| 99-0436-235-05 | Female cable fittings, "715 Series"       |
| 99-0436-24-05  | Female cable fittings, "713 Series"       |
| 99-0436-25-05  | Female cable fittings, "715 Series"       |
| 99-0436-282-05 | Female cable fittings, "713 Series"       |
| 99-0436-287-05 | Female cable fittings, "713 Series"       |
| 99-0436-292-05 | Female cable fittings, "713 Series"       |
| 99-0436-52-05  | Female cable fittings, "713 Series"       |
| 99-0436-57-05  | Female cable fittings, "713 Series"       |
| 99-0436-58-05  | Female cable fittings, "Power 713 Series" |
| 99-0436-69-05  | Female cable fittings, "713 Series"       |
| 99-0436-82-05  | Female cable fittings, "713 Series"       |
| 99-0436-92-05  | Female cable fittings, "713 Series"       |
| 99-0437-105-05 | Male cable fittings, "715 Series"         |
| 99-0437-12-05  | Male cable fittings, "713 Series"         |
| 99-0437-135-05 | Male cable fittings, "715 Series"         |
| 99-0437-14-05  | Male cable fittings, "713 Series"         |
| 99-0437-142-05 | Male cable fittings, "713 Series"         |
| 99-0437-145-05 | Male cable fittings, "715 Series"         |
| 99-0437-15-05  | Male cable fittings, "715 Series"         |
| 99-0437-162-05 | Male cable fittings, "713 Series"         |
| 99-0437-19-05  | Male cable fittings, "Power 713 Series"   |
| 99-0437-24-05  | Male cable fittings, "713 Series"         |
| 99-0437-282-05 | Male cable fittings, "713 Series"         |
| 99-0437-286-05 | Male cable fittings, "713 Series"         |
| 99-0437-287-05 | Male cable fittings, "713 Series"         |
| 99-0437-292-05 | Male cable fittings, "713 Series"         |



Any information and documentation involving UL Mark services are provided on behalf of UL LLC (UL) or any authorized licensee of UL. For questions, please contact UL Solutions Customer Service at <https://www.ul.com/contact-us>.

# CERTIFICATE OF COMPLIANCE

**Certificate number**    UL-CA-L302391-081511-12207002-5  
**Report reference**      E302391-20070221  
**Date**                      2025-02-18

|   |   |
|---|---|
| 99-0437-32-05   | Male cable fittings, "713 Series"       |
| 99-0437-43-05   | Male cable fittings, "713 Series"       |
| 99-0437-44-05   | Male cable fittings, "713 Series"       |
| 99-0437-52-05   | Male cable fittings, "713 Series"       |
| 99-0437-57-05   | Male cable fittings, "713 Series"       |
| 99-0437-58-05   | Male cable fittings, "Power 713 Series" |
| 99-0437-82-05   | Male cable fittings, "713 Series"       |
| 99-0437-92-05   | Male cable fittings, "713 Series"       |
| 99-0486-12-08   | Female cable fittings, "713 Series"     |
| 99-0486-282-08  | Female cable fittings, "713 Series"     |
| 99-0486-287-08  | Female cable fittings, "713 Series"     |
| 99-0487-12-08   | Male cable fittings, "713 Series"       |
| 99-0487-282-08  | Male cable fittings, "713 Series"       |
| 99-0487-287-08  | Male cable fittings, "713 Series"       |
| 99-0487-52-08   | Male cable fittings, "713 Series"       |
| 99-0491-12-12   | Male cable fittings, "713 Series"       |
| 99-0491-52-12   | Male cable fittings, "713 Series"       |
| 99-0492-12-12   | Female cable fittings, "713 Series"     |
| 99-0492-52-12   | Female cable fittings, "713 Series"     |
| 99-0629-24-04   | Male cable fittings, "813 Series"       |
| 99-0629-32-04   | Male cable fittings, "813 Series"       |
| 99-0630-24-04   | Female cable fittings, "813 Series"     |
| 99-0630-32-04   | Female cable fittings, "813 Series"     |
| <b>Male cable fittings, "823 Series", 99-0637-29-04</b>   | Male cable fittings, "813 Series"       |
| 99-0638-29-04   | Female cable fittings, "813 Series"     |
| <b>Male cable fittings, "823 Series", 99-0639-58-05</b>   | Male cable fittings, "813 Series"       |
| 99-0640-58-05   | Female cable fittings, "813 Series"     |
| <b>Inlets, "823 Series", 99-0641-10-05</b>                | Inlets, "814 Series"                    |
| <b>Inlets, "823 Series", 99-0641-20-05</b>                | Inlets, "814 Series"                    |
| <b>Outlets, "823 Series", 99-0642-10-05</b>               | Outlets, "814 Series"                   |
| <b>Outlets, "823 Series", 99-0642-20-05</b>               | Outlets, "814 Series"                   |
| 99-0685-19-03   | Male cable fittings, "814 Series"       |
| 99-0685-32-03   | Male cable fittings, "814 Series"       |
| 99-0686-19-03   | Female cable fittings, "814 Series"     |
| 99-0686-32-03   | Female cable fittings, "814 Series"     |
| 99-0689-24-04   | Male cable fittings, "814 Series"       |
| 99-0689-32-04   | Male cable fittings, "814 Series"       |
| 99-0690-24-04   | Female cable fittings, "814 Series"     |
| 99-0690-32-04   | Female cable fittings, "814 Series"     |
| 99-0691-300-04  | Inlets, "814 Series"                    |
| 99-0691-320-04  | Inlets, "814 Series"                    |
| 99-0693-500-04  | Inlets, "814 Series"                    |
| <b>Male cable fittings, "824 Series", 99-0699-58-05</b>   | Male cable fittings, "814 Series"       |
| <b>Female cable fittings, "824 Series", 99-0700-58-05</b> | Female cable fittings, "814 Series"     |
| 99-1429-810-04  | Male cable fittings, "715 Series"       |
| 99-1429-812-04  | Male cable fittings, "713 Series"       |
| 99-1429-814-04  | Male cable fittings, "713 Series"       |



Any information and documentation involving UL Mark services are provided on behalf of UL LLC (UL) or any authorized licensee of UL. For questions, please contact UL Solutions Customer Service at <https://www.ul.com/contact-us>.

# CERTIFICATE OF COMPLIANCE

**Certificate number**    UL-CA-L302391-081511-12207002-5  
**Report reference**     E302391-20070221  
**Date**                     2025-02-18

|                |                                     |
|----------------|-------------------------------------|
| 99-1429-820-04 | Male cable fittings, "715 Series"   |
| 99-1429-822-04 | Male cable fittings, "713 Series"   |
| 99-1429-824-04 | Male cable fittings, "713 Series"   |
| 99-1429-991-04 | Male cable fittings, "713 Series"   |
| 99-1429-992-04 | Male cable fittings, "713 Series"   |
| 99-1429-995-04 | Male cable fittings, "715 Series"   |
| 99-1430-810-04 | Female cable fittings, "715 Series" |
| 99-1430-812-04 | Female cable fittings, "713 Series" |
| 99-1430-814-04 | Female cable fittings, "713 Series" |
| 99-1430-820-04 | Female cable fittings, "715 Series" |
| 99-1430-822-04 | Female cable fittings, "713 Series" |
| 99-1430-824-04 | Female cable fittings, "713 Series" |
| 99-1430-991-04 | Female cable fittings, "713 Series" |
| 99-1430-992-04 | Female cable fittings, "713 Series" |
| 99-1430-995-04 | Female cable fittings, "715 Series" |
| 99-1431-810-04 | Male cable fittings, "715 Series"   |
| 99-1431-814-04 | Male cable fittings, "713 Series"   |
| 99-1431-820-04 | Male cable fittings, "715 Series"   |
| 99-1431-824-04 | Male cable fittings, "713 Series"   |
| 99-1432-810-04 | Female cable fittings, "715 Series" |
| 99-1432-814-04 | Female cable fittings, "713 Series" |
| 99-1432-820-04 | Female cable fittings, "715 Series" |
| 99-1432-824-04 | Female cable fittings, "713 Series" |
| 99-1436-810-05 | Female cable fittings, "715 Series" |
| 99-1436-812-05 | Female cable fittings, "713 Series" |
| 99-1436-814-05 | Female cable fittings, "713 Series" |
| 99-1436-820-05 | Female cable fittings, "715 Series" |
| 99-1436-822-05 | Female cable fittings, "713 Series" |
| 99-1436-824-05 | Female cable fittings, "713 Series" |
| 99-1436-910-05 | Female cable fittings, "715 Series" |
| 99-1436-914-05 | Female cable fittings, "713 Series" |
| 99-1436-920-05 | Female cable fittings, "715 Series" |
| 99-1436-935-05 | Female cable fittings, "715 Series" |
| 99-1436-991-05 | Female cable fittings, "713 Series" |
| 99-1436-992-05 | Female cable fittings, "713 Series" |
| 99-1436-995-05 | Female cable fittings, "715 Series" |
| 99-1437-810-05 | Male cable fittings, "715 Series"   |
| 99-1437-812-05 | Male cable fittings, "713 Series"   |
| 99-1437-814-05 | Male cable fittings, "713 Series"   |
| 99-1437-820-05 | Male cable fittings, "715 Series"   |
| 99-1437-822-05 | Male cable fittings, "713 Series"   |
| 99-1437-824-05 | Male cable fittings, "713 Series"   |
| 99-1437-910-05 | Male cable fittings, "715 Series"   |
| 99-1437-920-05 | Male cable fittings, "715 Series"   |
| 99-1437-935-05 | Male cable fittings, "715 Series"   |
| 99-1437-991-05 | Male cable fittings, "713 Series"   |
| 99-1437-992-05 | Male cable fittings, "713 Series"   |



Any information and documentation involving UL Mark services are provided on behalf of UL LLC (UL) or any authorized licensee of UL. For questions, please contact UL Solutions Customer Service at <https://www.ul.com/contact-us>.

# CERTIFICATE OF COMPLIANCE

**Certificate number**    UL-CA-L302391-081511-12207002-5  
**Report reference**       E302391-20070221  
**Date**                        2025-02-18

|                |                                     |
|----------------|-------------------------------------|
| 99-1437-995-05 | Male cable fittings, "715 Series"   |
| 99-1438-810-05 | Female cable fittings, "715 Series" |
| 99-1438-814-05 | Female cable fittings, "713 Series" |
| 99-1438-820-05 | Female cable fittings, "715 Series" |
| 99-1438-824-05 | Female cable fittings, "713 Series" |
| 99-1438-910-05 | Female cable fittings, "715 Series" |
| 99-1439-810-05 | Male cable fittings, "715 Series"   |
| 99-1439-814-05 | Male cable fittings, "713 Series"   |
| 99-1439-820-05 | Male cable fittings, "715 Series"   |
| 99-1439-824-05 | Male cable fittings, "713 Series"   |
| 99-1439-910-05 | Male cable fittings, "715 Series"   |
| 99-1486-812-08 | Female cable fittings, "713 Series" |
| 99-1486-914-08 | Female cable fittings, "713 Series" |
| 99-1487-812-08 | Male cable fittings, "713 Series"   |
| 99-1487-814-08 | Male cable fittings, "713 Series"   |
| 99-1487-914-08 | Male cable fittings, "713 Series"   |
| 99-1487-992-08 | Male cable fittings, "713 Series"   |
| 99-1488-812-08 | Female cable fittings, "713 Series" |
| 99-1488-814-08 | Female cable fittings, "713 Series" |
| 99-1488-824-08 | Female cable fittings, "713 Series" |
| 99-1489-812-08 | Male cable fittings, "713 Series"   |
| 99-1489-814-08 | Male cable fittings, "713 Series"   |
| 99-1489-824-08 | Male cable fittings, "713 Series"   |
| 99-1491-812-12 | Male cable fittings, "713 Series"   |
| 99-1491-822-12 | Male cable fittings, "713 Series"   |
| 99-1492-812-12 | Female cable fittings, "713 Series" |
| 99-1492-822-12 | Female cable fittings, "713 Series" |
| 99-1492-914-12 | Female cable fittings, "713 Series" |
| 99-1631-812-04 | Male cable fittings, "813 Series"   |
| 99-1631-814-04 | Male cable fittings, "813 Series"   |
| 99-1632-812-04 | Female cable fittings, "813 Series" |
| 99-1632-814-04 | Female cable fittings, "813 Series" |
| 99-2440-12-03  | Female cable fittings straight      |
| 99-2440-21-03  | Female cable fittings straight      |
| 99-2440-282-03 | Female cable fittings straight      |
| 99-2440-32-03  | Female cable fittings straight      |
| 99-2440-42-03  | Female cable fittings straight      |
| 99-2440-52-03  | Female cable fittings right angle   |
| 99-2440-62-03  | Female cable fittings right angle   |
| 99-2440-72-03  | Female cable fittings right angle   |
| 99-2441-12-03  | Male cable fittings straight        |
| 99-2441-21-03  | Male cable fittings straight        |
| 99-2441-282-03 | Male cable fittings straight        |
| 99-2441-32-03  | Male cable fittings straight        |
| 99-2441-42-03  | Male cable fittings straight        |
| 99-2441-52-03  | Male cable fittings right angle     |
| 99-2441-62-03  | Male cable fittings right angle     |



Any information and documentation involving UL Mark services are provided on behalf of UL LLC (UL) or any authorized licensee of UL. For questions, please contact UL Solutions Customer Service at <https://www.ul.com/contact-us>.

# CERTIFICATE OF COMPLIANCE

**Certificate number**    UL-CA-L302391-081511-12207002-5  
**Report reference**      E302391-20070221  
**Date**                      2025-02-18

|                |   |
|----------------|---|
| 99-2441-72-03  | Male cable fittings right angle           |
| 99-2442-12-04  | Female cable fittings straight            |
| 99-2442-21-04  | Female cable fittings straight            |
| 99-2442-282-04 | Female cable fittings straight            |
| 99-2442-32-04  | Female cable fittings straight            |
| 99-2442-42-04  | Female cable fittings straight            |
| 99-2442-52-04  | Female cable fittings right angle         |
| 99-2442-62-04  | Female cable fittings right angle         |
| 99-2442-72-04  | Female cable fittings right angle         |
| 99-2443-12-04  | Male cable fittings straight              |
| 99-2443-21-04  | Male cable fittings straight              |
| 99-2443-282-04 | Male cable fittings straight              |
| 99-2443-32-04  | Male cable fittings straight              |
| 99-2443-42-04  | Male cable fittings straight              |
| 99-2443-52-04  | Male cable fittings right angle           |
| 99-2443-62-04  | Male cable fittings right angle           |
| 99-2443-72-04  | Male cable fittings right angle           |
| 99-2444-12-05  | Female cable fittings straight            |
| 99-2444-21-05  | Female cable fittings straight            |
| 99-2444-23-05  | Female cable fittings straight            |
| 99-2444-282-05 | Female cable fittings straight            |
| 99-2444-32-05  | Female cable fittings straight            |
| 99-2444-33-05  | Female cable fittings straight            |
| 99-2444-42-05  | Female cable fittings straight            |
| 99-2444-43-05  | Female cable fittings straight            |
| 99-2444-52-05  | Female cable fittings right angle         |
| 99-2444-62-05  | Female cable fittings right angle         |
| 99-2444-63-05  | Female cable fittings right angle         |
| 99-2444-72-05  | Female cable fittings right angle         |
| 99-2444-73-05  | Female cable fittings right angle         |
| 99-2445-12-05  | Male cable fittings straight              |
| 99-2445-21-05  | Male cable fittings straight              |
| 99-2445-23-05  | Male cable fittings straight              |
| 99-2445-282-05 | Male cable fittings straight              |
| 99-2445-32-05  | Male cable fittings straight              |
| 99-2445-33-05  | Male cable fittings straight              |
| 99-2445-42-05  | Male cable fittings straight              |
| 99-2445-43-05  | Male cable fittings straight              |
| 99-2445-52-05  | Male cable fittings right angle           |
| 99-2445-62-05  | Male cable fittings right angle           |
| 99-2445-63-05  | Male cable fittings right angle           |
| 99-2445-72-05  | Male cable fittings right angle           |
| 99-2445-73-05  | Male cable fittings right angle           |
| 99-3433-100-04 | Male Panel Mount connectors, "763 Series" |
| 99-3433-116-04 | Male Panel Mount connectors, "763 Series" |
| 99-3433-200-04 | Male Panel Mount connectors, "763 Series" |
| 99-3443-100-05 | Male Panel Mount connectors, "763 Series" |



Any information and documentation involving UL Mark services are provided on behalf of UL LLC (UL) or any authorized licensee of UL. For questions, please contact UL Solutions Customer Service at <https://www.ul.com/contact-us>.

# CERTIFICATE OF COMPLIANCE

**Certificate number**    UL-CA-L302391-081511-12207002-5  
**Report reference**      E302391-20070221  
**Date**                      2025-02-18

|  |   |
|--|---|
| 99-3443-116-05   | Male Panel Mount connectors, "763 Series" |
| 99-3443-200-05   | Male Panel Mount connectors, "763 Series" |
| 99-3483-100-08   | Male Panel Mount connectors, "763 Series" |
| 99-3483-116-08   | Male Panel Mount connectors, "763 Series" |
| 99-3483-200-08   | Male Panel Mount connectors, "763 Series" |
| 99-3727-810-04   | Male cable fittings, "825 Series"         |
| 99-3727-820-04   | Male cable fittings, "825 Series"         |
| 99-3728-810-04   | Female cable fittings, "825 Series"       |
| 99-3728-820-04   | Female cable fittings, "825 Series"       |
| 99-3729-805-04   | Male cable fittings, "825 Series"         |
| 99-3729-810-04   | Male cable fittings, "825 Series"         |
| 99-3729-820-04   | Male cable fittings, "825 Series"         |
| 99-3729-995-04   | Male cable fittings, "825 Series"         |
| 99-3730-810-04   | Female cable fittings, "825 Series"       |
| 99-3730-820-04   | Female cable fittings, "825 Series"       |
| Female cable connector with cable clamp, crimp, size: 4 - 6mm, 6 - 8mm             | Cable assemblies, "Series 423/425/723"    |
| Female cable connector with cable clamp, screw clamp, size: 4 - 6mm, 6 - 8mm       | Cable assemblies, "Series 423/425/723"    |
| Female cable connector with shielding ring, solder, size: 4 - 6mm, 6 - 8mm, 8-10mm | Cable assemblies, "Series 423/425/723"    |
| Female cable connector, solder, short version size: 4-8 mm                         | Cable assemblies, "Series 423/425/723"    |
| Female socket, rectangular, crimp, size: 4-8 pole                                  | Cable assemblies, "Series 423/425/723"    |
| Male cable connector with cable clamp, screw clamp, size: 4 - 6mm, 6 - 8mm         | Cable assemblies, "Series 423/425/723"    |
| Male cable connector with shielding ring, solder, size: 4 - 6mm, 6 - 8mm, 8-10mm   | Cable assemblies, "Series 423/425/723"    |
| Male socket, rectangular, crimp, size: 4-8 pole                                    | Cable assemblies, "Series 423/425/723"    |



Any information and documentation involving UL Mark services are provided on behalf of UL LLC (UL) or any authorized licensee of UL. For questions, please contact UL Solutions Customer Service at <https://www.ul.com/contact-us>.

## EU DECLARATION OF CONFORMITY

|              |   |
|--------------|---|
| Manufacturer | <b>Franz Binder GmbH &amp; Co.<br/>Elektrische Bauelemente KG<br/>Rötelstraße 27<br/>D-74172 Neckarsulm</b> |
| Part no.     | <b>99 2445 12 05</b>  |
| Product      |   |
| Series       | <b>series 820</b>   |

This product complies with the requirements of the following European Directive:  
Directive 2014/35/EU of the European Parliament and of the council of 26 February 2014 on the harmonisation of the laws of the Member States relating to the making available on the market of electrical equipment designed for use within certain voltage limits (recast).

The following harmonized standards have been applied for conformity assessment:

EN 60529:1991 | 2014/35/EU;EN 60204-1:2018 \*)

\*) This standard is currently not harmonized

References to standards apply to references to their amendments, if these amendments are listed to the respective directives in the Official Journal of the European Union.

This declaration of conformity is issued under the sole responsibility of the manufacturer.

Neckarsulm, 2025-03-05



i.A. Soner Cakar  
Product Compliance Manager

## UKCA DECLARATION OF CONFORMITY

|                           |   |
|---------------------------|---|
| Manufacturer              | <b>Franz Binder GmbH &amp; Co.<br/>Elektrische Bauelemente KG<br/>Rötelstraße 27<br/>D-74172 Neckarsulm</b> |
| Object of the declaration | <b>Connector (COC)</b>  |
| Product                   | <b>99 2445 12 05</b>  |

The object of the declaration described above is in conformity with the relevant UK-Regulations and UK-Guidelines:

**The Electrical Equipment (Safety) Regulations 2016**  
STATUTORY INSTRUMENTS  
2016 No. 1101  
CONSUMER PROTECTION  
HEALTH AND SAFETY

References of standards and/ or technical specifications applied for this declaration of conformity, or parts thereof:

**2016 No. 1101: EN 61984:2009 \*)**

\*) This standard is currently not listed in the assigned directive.

This declaration is issued under the sole responsibility of the manufacturer.

Neckarsulm, 2025-03-05



i.A. Soner Cakar  
Product Compliance Manager