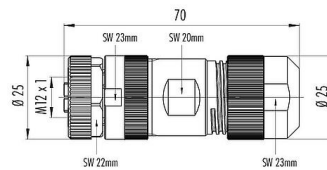


Product description	M12 Female cable connector, Contacts: 4+PE, 8.0-13.0 mm, unshielded, screw clamp, IP67, UL 2237 in preparation, with PE connection
Area	series 824
Part no.	99 0700 37 05

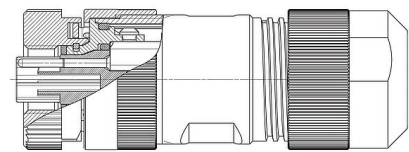
Illustration



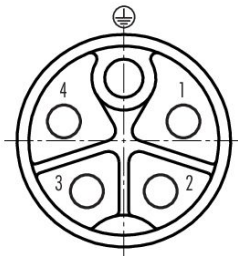
Scale drawing



Scale drawing



Contact arrangement (Plug-in side)



You can find the assembly instructions on the next page.

Technical data

General features

Part no.	99 0700 37 05
Connector design	Female cable connector
Type standard	DIN EN IEC 61076-2-111:2018-10;VDE 0687-76-2-111:2018-10
Version	Connector pin straight
Connector locking system	screw
Termination	screw clamp

Product data sheet

Automation technology - Voltage and Power Supply



Product description	M12 Female cable connector, Contacts: 4+PE, 8.0-13.0 mm, unshielded, screw clamp, IP67, UL 2237 in preparation, with PE connection
Area	series 824
Part no.	99 0700 37 05

Degree of protection	IP67
Connection cross-section	max. 1.50 mm ² with ferrule / max. 2.50 mm ² without ferrule / AWG 16 with wire-end ferrule / AWG 14 without wire-end ferrule
Cable outlet	8.0-13.0 mm
Temperature range from/to	-40 °C / 85 °C
Mechanical operation	> 100 Mating cycles
Additional information	UL 2237 in preparation with PE connection
Weight (g)	55.83
Customs tariff number	85369010
Country of Origin	DE

Electrical parameters

Rated voltage	630 V
Rated impulse voltage	6000 V
Rated impulse voltage UL	6000 V
Rated current	12.0 A
Insulation resistance	> 10 ¹⁰ Ω
Pollution degree	3
Overvoltage category	III
Insulating material group	I
EMC compliance	unshielded

Material

Housing material	PA
Contact body material	PA (UL94 V-0)
Contact material	CuZn (brass)
Contact plating	Au (gold)
REACH SVHC	CAS 7439-92-1 (Lead)
SCIP number	2e2cebc2-9798-4e45-83db-3f5ba1376ca9

Classifications

ETIM 9.0	EC002635
----------	----------

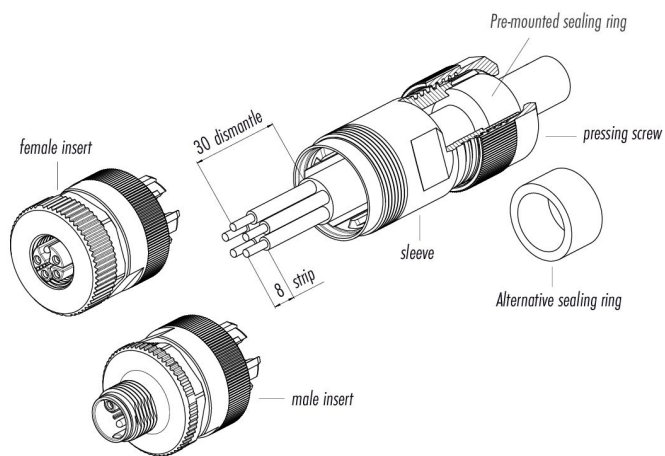
Product data sheet

Automation technology - Voltage and Power Supply



Product description	M12 Female cable connector, Contacts: 4+PE, 8.0-13.0 mm, unshielded, screw clamp, IP67, UL 2237 in preparation, with PE connection
Area	series 824
Part no.	99 0700 37 05

Assembly instructions



1. Clamp out screws until bores for single wires are completely free.
2. Push pressing screw, suitable seal and sleeve individually on cable.
Attention: Change the pre-mounted sealing ring against the alternative sealing ring when cable diameter is bigger than 10.5 mm.
3. Dismantle cable.
4. Strip single cores and twist single wires.
5. Insert single wires into the holes and tighten clamping screws (0.4 Nm).
7. Screw contact insert onto the sleeve.
8. Screw and tighten pressing screw (max. 2.0 Nm).

Recommendation: Secure contact insert against unintentional unmating as required and necessary.

Product data sheet

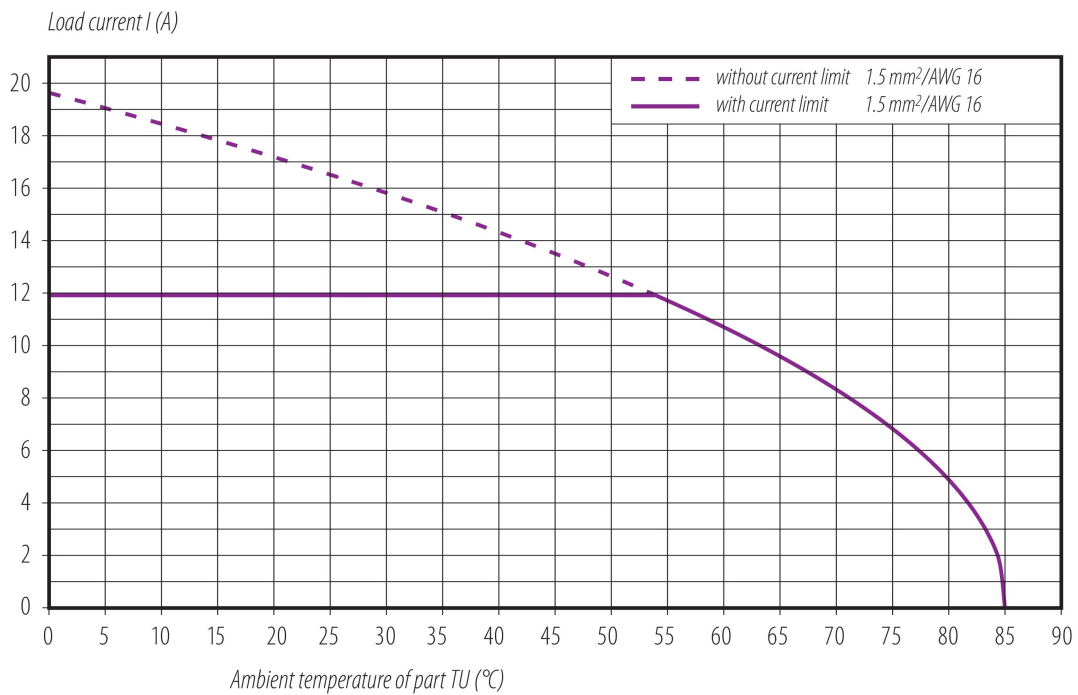
Automation technology - Voltage and Power Supply



Product description **M12 Female cable connector, Contacts: 4+PE, 8.0-13.0 mm, unshielded, screw clamp, IP67, UL 2237 in preparation, with PE connection**

Area **series 824**
Part no. **99 0700 37 05**

Derating curve



Product data sheet

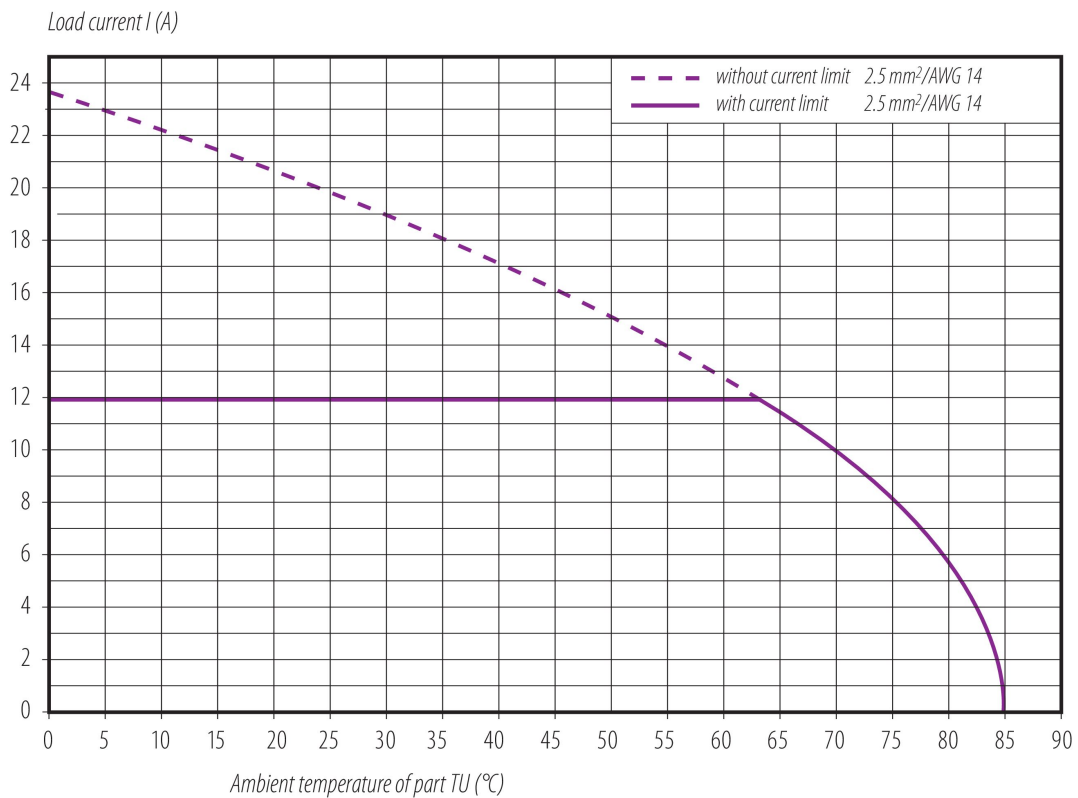
Automation technology - Voltage and Power Supply



Product description **M12 Female cable connector, Contacts: 4+PE, 8.0-13.0 mm, unshielded, screw clamp, IP67, UL 2237 in preparation, with PE connection**

Area **series 824**
Part no. **99 0700 37 05**

Derating curve



Product description	M12 Female cable connector, Contacts: 4+PE, 8.0-13.0 mm, unshielded, screw clamp, IP67, UL 2237 in preparation, with PE connection
Area	series 824
Part no.	99 0700 37 05

Security notices

The connector must not be plugged or unplugged under load. Non-observance and improper use can result in personal injury.

The connectors have been developed for applications in plant engineering, control and electrical equipment construction. The user is responsible for checking whether the connectors can also be used in other areas of application.

To protect against unintentional opening of the connector, the thread between the housing and the connector head must be secured with a suitable cyanoacrylate adhesive when used in circuits with voltages dangerous to the touch. This does not apply to connectors used in SELV and PELV circuits according to IEC 61140 (EN 61140, VDE 0140-1).

Connectors which are used in circuits with voltages dangerous to the touch may only be installed and used by, or under the supervision of, persons with electrical engineering training, taking into account the applicable regulations and standards.

The user must take suitable safety precautions to ensure that the connector cannot be accidentally disconnected.

Plug connectors with enclosure protection IP67 and IP68 are not suitable for use under water. When used outdoors, the plug connectors must be protected separately against corrosion. For further information on the IP protection classes, please refer to the "Technical Information" download centre.

Please observe the pollution degree and the overvoltage category. For further information, please refer to the download center "Technical Information".

To lock the cable connector with the device connector, the threaded ring is tightened "hand-tight" (approx. 60 cNm).

In the case of cable connectors with a metal threaded ring, it is imperative to ensure a connection with the PE protective contact of the appliance connector. Connecting cables between appliance connectors that are not connected to the PE contact are not permitted. The user must ensure a continuous connection of the protective earth conductor.

DECLARATION FROM THE MANUFACTURER

For part no.: 99 0700 37 05

14/07/2025

With regard to the

Regulation (EC) No 1907/2006 of the European Parliament and of the Council of 18 December 2006 concerning the Registration, Evaluation, Authorisation and Restriction of Chemicals (REACH), establishing a European Chemicals Agency, amending Directive 1999/45/EC and repealing Council Regulation (EEC) No 793/93 and Commission Regulation (EC) No 1488/94 as well as Council Directive 76/769/EEC and Commission Directives 91/155/EEC, 93/67/EEC, 93/105/EC and 2000/21/EC.

With the REACH regulation, the EU has created a uniform system for the Registration, Evaluation, Authorisation and restriction of CHEMicals – or REACH. The purpose of this regulation is to ensure a high level of protection of human health and the environment.

Franz Binder GmbH & Co. Elektrische Bauelemente KG hereby confirms that it acts as a downstream user (producer of products) according to the aforementioned regulation.

We obtain all raw materials and/or preparations, from which the connectors are made, from suppliers who have already registered or pre-registered all substances, including those present in the preparations. The products supplied by the company are not subject to registration.

With regard to Article 33(1) of the REACH regulation, Franz Binder GmbH & Co. Elektrische Bauelemente KG complies with its information obligations:

An up-to-date candidate list (candidate list of substances of very high concern for authorisation, as of 25/06/2025 see: <https://echa.europa.eu/de/candidate-list-table>) in accordance with Article 59 (1, 10) of the regulation (EC) No 1907/2006 (REACH) has been published.

The aforementioned article includes the following substances from the up-to-date candidate list in concentrations of more than 0,1 percent by mass:

- CAS 7439-92-1 (Lead)

Please refer any questions to our Product Compliance Team:

Product-Compliance@binder-connector.de

DECLARATION FROM THE MANUFACTURER

For part no.: 99 0700 37 05

14/07/2025

With regard to the

COMMISSION DELEGATED DIRECTIVE (EU) 2015/863 of 31 March 2015

**amending Annex II to Directive 2011/65/EU of the European Parliament and of the Council as regards
the list of restricted substances**

Directive 2011/65/EU stipulates provisions on the restriction of the use of hazardous substances in electrical and electronic equipment (EEE) with a view to contributing to the protection of human health and the environment, including the environmentally sound recovery and disposal of EEE waste.

ANNEX II

Restricted substances referred to in Article 4(1) and maximum concentration values tolerated by weight in homogeneous materials

Lead (0,1%) mercury (0,1%) cadmium (0,01%) hexavalent chromium (0,1%) polybrominated biphenyls (PBB) (0,1%) polybrominated diphenyl ethers (PBDE) (0,1%) bis(2-ethylhexyl) phthalate (DEHP) (0,1%) butyl benzyl phthalate (BBP) (0,1%) dibutyl phthalate (DBP) (0,1%) diisobutyl phthalate (DIBP) (0,1%)

Franz Binder GmbH & Co. Elektrische Bauelemente KG hereby confirms that it complies with all standard articles of the aforementioned Directive. Our products do not contain any of the specified prohibited substances above the maximum permitted concentrations specified therein, taking into account the exemptions in Annex III of Directive 2011/65/EU.

- Complies with RoHS III with exemption 6c

Please refer any questions to our Product Compliance Team:

Product-Compliance@binder-connector.de

MANUFACTURER'S DECLARATION

For part no.: 99 0700 37 05

14/07/2025

with regard to

Declaration of compliance with China RoHS – Components

We herewith declare the compliance of this product with the Chinese marking requirements. This product can be recycled and used safely during its environmentally friendly use period of 50 years. These articles will be sold as components only for manufacturing. According to the Electronic Industry Standard SJ/T 11364-2014 it needs not to be marked with Environmentally Friendly Use Period (EFUP) label. This product should be recycled after its environmental protection use period has expired because it may contain substances or elements as shown in the following table:

Part Name	Hazardous Substance					
	Lead (Pb)	Mercury (Hg)	Cadmium (Cd)	Hexavalent Chromium (Cr(VI))	Polybrominated biphenyls (PBB)	Polybrominated diphenyl ethers (PBDE)
Connectors	X	0	0	0	0	0

This table is prepared in accordance with the provisions of SJ/T 11364.

0: Indicates that said hazardous substance contained in all of the homogeneous materials for this part is below the limit requirement of GB/T 26572

X: Indicates that said hazardous substance contained in at least one of the homogeneous materials used for this part is above the limit requirement of GB/T 26572

The table shows where these substances may be found in this Electrical and Electronic Product.

Please refer any questions to our Product Compliance Team:

Product-Compliance@binder-connector.de