

Product data sheet

Automation technology - Solenoid valve connectors

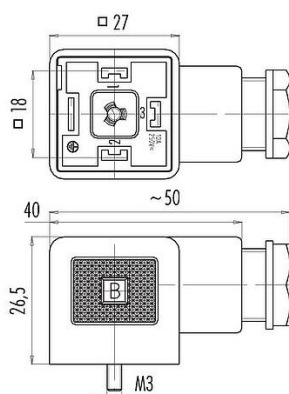


Product description	Female power connector, Contacts: 2+PE, 3.0-10.0 mm, unshielded, screw clamp, IP40 without seal, UL, ESTI+, VDE
Area	series 210
Part no.	43 1700 004 03

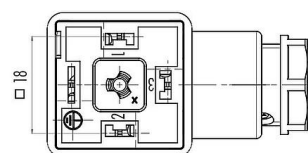
Illustration



Scale drawing



Contact arrangement (Plug-in side)



You can find the component part drawing on the next page.

Technical data

General features

Part no.	43 1700 004 03
Connector design	Female power connector
Type standard	DIN EN 175301-803
Version	Connector socket straight
Connector locking system	Central bolt
Termination	screw clamp
Degree of protection	IP40 without seal IP65 with seal, see accessories
Connection cross-section	0.34-1.50 mm ²
Cable outlet	3.0-10.0 mm
Temperature range from/to	-30 °C / 120 °C
Mechanical operation	> 50 Mating cycles
Weight (g)	23.09
Customs tariff number	85369010
Country of Origin	HU

Electrical parameters

Rated voltage	250 V
Rated impulse voltage	4000 V



Date: 14.07.2025

Product data sheet

Automation technology - Solenoid valve connectors



Product description	Female power connector, Contacts: 2+PE, 3.0-10.0 mm, unshielded, screw clamp, IP40 without seal, UL, ESTI+, VDE
Area	series 210
Part no.	43 1700 004 03

Rated current	10.0 A
Insulation resistance	$\geq 10^{10} \Omega$
Pollution degree	3
Overvoltage category	III
Insulating material group	III
EMC compliance	unshielded

Material

Housing material	PA
Contact body material	PA (UL94 HB)
Contact material	CuSn (bronze)
Contact plating	Ni (nickel)
REACH SVHC	CAS 7439-92-1 (Lead)
SCIP number	fc29e9ca-782a-4ef4-a959-44e526cd5056

Authorization/approvals

Approvals	UL, ESTI+, VDE
-----------	----------------

Classifications

eCl@ss 11.1	27-06-03-11
ETIM 9.0	EC002635

Declarations of conformity

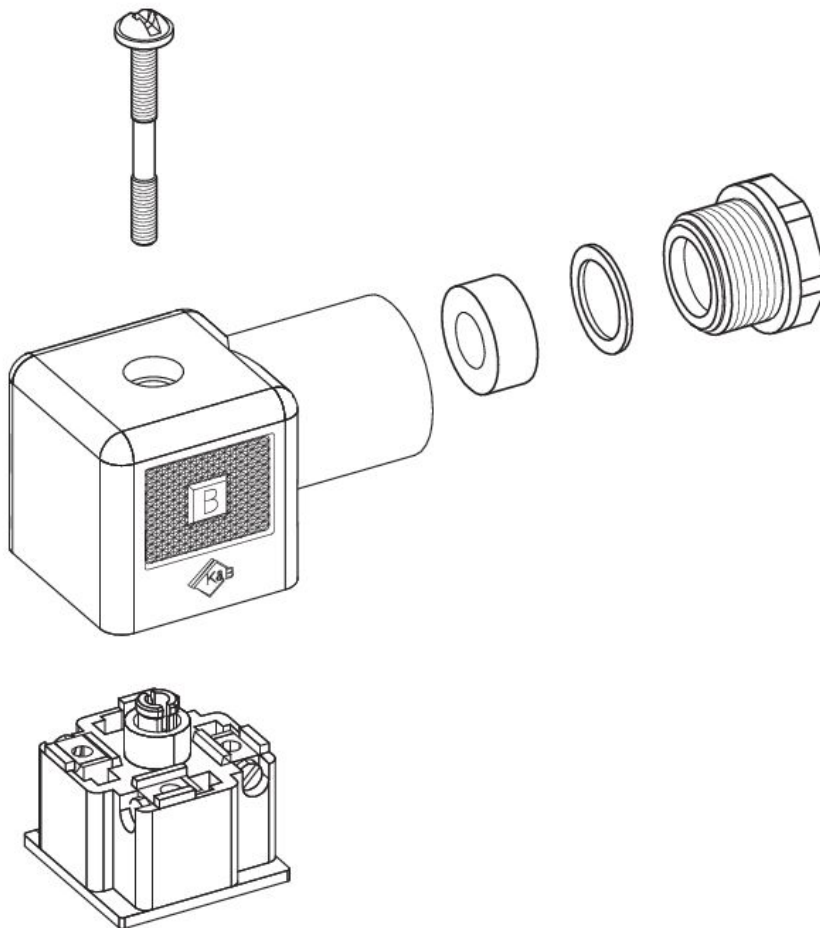
Low Voltage Directive	2014/35/EU (EN 60204-1:2018;EN 60529:1991)
-----------------------	--

Product data sheet
Automation technology - Solenoid valve connectors



Product description **Female power connector, Contacts: 2+PE, 3.0-10.0 mm, unshielded, screw clamp, IP40 without seal, UL, ESTI+, VDE**
Area **series 210**
Part no. **43 1700 004 03**

Component part drawing



Product description	Female power connector, Contacts: 2+PE, 3.0-10.0 mm, unshielded, screw clamp, IP40 without seal, UL, ESTI+, VDE
Area	series 210
Part no.	43 1700 004 03

Security notices

The connector must not be plugged or unplugged under load. Non-observance and improper use can result in personal injury.

The connectors have been developed for applications in plant engineering, control and electrical equipment construction. The user is responsible for checking whether the connectors can also be used in other areas of application.

Connectors which are used in circuits with voltages dangerous to the touch may only be installed and used by, or under the supervision of, persons with electrical engineering training, taking into account the applicable regulations and standards.

The user must take suitable safety precautions to ensure that the connector cannot be accidentally disconnected.

Plug connectors with enclosure protection IP67 and IP68 are not suitable for use under water. When used outdoors, the plug connectors must be protected separately against corrosion. For further information on the IP protection classes, please refer to the "Technical Information" download centre.

Please observe the pollution degree and the overvoltage category. For further information, please refer to the download center "Technical Information".

DECLARATION FROM THE MANUFACTURER

For part no.: 43 1700 004 03

14/07/2025

With regard to the

Regulation (EC) No 1907/2006 of the European Parliament and of the Council of 18 December 2006 concerning the Registration, Evaluation, Authorisation and Restriction of Chemicals (REACH), establishing a European Chemicals Agency, amending Directive 1999/45/EC and repealing Council Regulation (EEC) No 793/93 and Commission Regulation (EC) No 1488/94 as well as Council Directive 76/769/EEC and Commission Directives 91/155/EEC, 93/67/EEC, 93/105/EC and 2000/21/EC.

With the REACH regulation, the EU has created a uniform system for the Registration, Evaluation, Authorisation and restriction of CHEMicals – or REACH. The purpose of this regulation is to ensure a high level of protection of human health and the environment.

Franz Binder GmbH & Co. Elektrische Bauelemente KG hereby confirms that it acts as a downstream user (producer of products) according to the aforementioned regulation.

We obtain all raw materials and/or preparations, from which the connectors are made, from suppliers who have already registered or pre-registered all substances, including those present in the preparations. The products supplied by the company are not subject to registration.

With regard to Article 33(1) of the REACH regulation, Franz Binder GmbH & Co. Elektrische Bauelemente KG complies with its information obligations:

An up-to-date candidate list (candidate list of substances of very high concern for authorisation, as of 25/06/2025 see: <https://echa.europa.eu/de/candidate-list-table>) in accordance with Article 59 (1, 10) of the regulation (EC) No 1907/2006 (REACH) has been published.

The aforementioned article includes the following substances from the up-to-date candidate list in concentrations of more than 0,1 percent by mass:

- CAS 7439-92-1 (Lead)

Please refer any questions to our Product Compliance Team:

Product-Compliance@binder-connector.de

DECLARATION FROM THE MANUFACTURER

For part no.: 43 1700 004 03

14/07/2025

With regard to the

**COMMISSION DELEGATED DIRECTIVE (EU) 2015/863
of 31 March 2015**

**amending Annex II to Directive 2011/65/EU of the European Parliament and of the Council as regards
the list of restricted substances**

Directive 2011/65/EU stipulates provisions on the restriction of the use of hazardous substances in electrical and electronic equipment (EEE) with a view to contributing to the protection of human health and the environment, including the environmentally sound recovery and disposal of EEE waste.

ANNEX II

Restricted substances referred to in Article 4(1) and maximum concentration values tolerated by weight in homogeneous materials

Lead (0,1%) mercury (0,1%) cadmium (0,01%) hexavalent chromium (0,1%) polybrominated biphenyls (PBB) (0,1%) polybrominated diphenyl ethers (PBDE) (0,1%) bis(2-ethylhexyl) phthalate (DEHP) (0,1%) butyl benzyl phthalate (BBP) (0,1%) dibutyl phthalate (DBP) (0,1%) diisobutyl phthalate (DIBP) (0,1%)

Franz Binder GmbH & Co. Elektrische Bauelemente KG hereby confirms that it complies with all standard articles of the aforementioned Directive. Our products do not contain any of the specified prohibited substances above the maximum permitted concentrations specified therein, taking into account the exemptions in Annex III of Directive 2011/65/EU.

- Complies with RoHS III with exemption 6c

Please refer any questions to our Product Compliance Team:

Product-Compliance@binder-connector.de

MANUFACTURER'S DECLARATION

For part no.: 43 1700 004 03

14/07/2025

with regard to

Declaration of compliance with China RoHS – Components

We herewith declare the compliance of this product with the Chinese marking requirements. This product can be recycled and used safely during its environmentally friendly use period of 50 years. These articles will be sold as components only for manufacturing. According to the Electronic Industry Standard SJ/T 11364-2014 it needs not to be marked with Environmentally Friendly Use Period (EFUP) label. This product should be recycled after its environmental protection use period has expired because it may contain substances or elements as shown in the following table:

Part Name	Hazardous Substance					
	Lead (Pb)	Mercury (Hg)	Cadmium (Cd)	Hexavalent Chromium (Cr(VI))	Polybrominated biphenyls (PBB)	Polybrominated diphenyl ethers (PBDE)
Connectors	X	0	0	0	0	0

This table is prepared in accordance with the provisions of SJ/T 11364.

0: Indicates that said hazardous substance contained in all of the homogeneous materials for this part is below the limit requirement of GB/T 26572

X: Indicates that said hazardous substance contained in at least one of the homogeneous materials used for this part is above the limit requirement of GB/T 26572

The table shows where these substances may be found in this Electrical and Electronic Product.

Please refer any questions to our Product Compliance Team:

Product-Compliance@binder-connector.de

CERTIFICATE OF COMPLIANCE

Certificate Number UL-CA-L93427-32-01204991-1
Report Reference E93427-19940210
Date 15-Jun-2023

Issued to: Franz Binder GmbH & Co. Elektrische Bauelemente KG
Roetelstrasse 27
Neckarsulm, Baden-Wurtemberg 74172
Germany

**This is to certify that
representative samples of**

ECBT8 - Connectors for Use in Data, Signal, Control and
Power Applications Certified for Canada - Component

See Addendum Page for Product Designation(s).

Have been evaluated by UL in accordance with the
component requirements in the Standard(s) indicated on
this Certificate. UL Recognized components are incomplete
in certain constructional features or restricted in
performance capabilities and are intended for installation in
complete equipment submitted for investigation to UL LLC.

Standard(s) for Safety: CSA C22.2 No. 182.3, 2nd Ed., Issue Date: 2016-07,
Revision Date: 2021-5

Additional Information: See the UL Online Certifications Directory at
<https://iq.ulprospector.com> for additional information

This Certificate of Compliance indicates that representative samples of the product described in the certification report have met the requirements for UL certification. It does not provide authorization to apply the UL Recognized Component Mark. Only the Authorization Page that references the Follow-Up Services Procedure for ongoing surveillance provides authorization to apply the UL Mark.

Only those products bearing the UL Recognized Component Mark should be considered as being UL Certified and covered under UL's Follow-Up Services.

Look for the UL Recognized Component Mark on the product.

Deborah Jennings-Conner

Deborah Jennings-Conner, VP Regulatory Services

UL LLC

Any information and documentation involving UL Mark services are provided on behalf of UL LLC (UL) or any authorized licensee of UL. For questions, please contact a local UL Customer Service Representative at <http://ul.com/about/locations/>



CERTIFICATE OF COMPLIANCE

Certificate Number UL-CA-L93427-32-01204991-1
Report Reference E93427-19940210
Date 15-Jun-2023

This is to certify that representative samples of the product as specified on this certificate were tested according to the current UL requirements

Model	Category Description
SP1 Series (Size A serial 210) , 43 1713 XXX 04, where XXX could be a three digit number except 411	Plug
MSD3 Series (Size A serial 210) , 43-1700-XXX-03	Connector bodies
SP1 Series (Size A serial 210) , 43-1701-XXX-03, followed by XXX, followed by 03	Plug
MSD3 Series (Size A serial 210) , 43-1702-XXX-04	Connector bodies
SP1 Series (Size A serial 210) , 43-1703-XXX-04, where XXX could be a three digit number except 411	Plug
SP1 Series (Size A serial 210) , 43-1709-XXX-03, followed by XXX, followed by 03	Plug
SP1 Series (Size A serial 210) , 43-1711-XXX-04, where XXX could be a three digit number except 411	Plug
SP1 Series (Size A serial 210) , 43-1715-XXX-04, where XXX could be a three digit number except 411	Plug
SP1 Series (Size A serial 210) , 43-1717-XXX-03, followed by XXX, followed by 03	Plug
SP1 Series (Size A serial 210) , 43-1719-XXX-04, where XXX could be a three digit number except 411	Plug
SP1 Series (Size A serial 210) , 43-1721-XXX-03, followed by XXX, followed by 03	Plug
SP1 Series (Size A serial 210) , 43-1723-XXX-04, where XXX could be a three digit number except 411	Plug

Deborah Jennings-Conner

Deborah Jennings-Conner, VP Regulatory Services

UL LLC



Any information and documentation involving UL Mark services are provided on behalf of UL LLC (UL) or any authorized licensee of UL. For questions, please contact a local UL Customer Service Representative at <http://ul.com/about/locations/>

CERTIFICATE OF COMPLIANCE

Certificate Number UL-US-L93427-12-01204991-1
Report Reference E93427-19940210
Date 15-Jun-2023

Issued to: Franz Binder GmbH & Co. Elektrische Bauelemente KG
Roetelstrasse 27
Neckarsulm, Baden-Wurtemberg 74172
Germany

**This is to certify that
representative samples of**

ECBT2 - Connectors for Use in Data, Signal, Control and
Power Applications - Component
See Addendum Page for Product Designation(s).

Have been evaluated by UL in accordance with the
component requirements in the Standard(s) indicated on
this Certificate. UL Recognized components are incomplete
in certain constructional features or restricted in
performance capabilities and are intended for installation in
complete equipment submitted for investigation to UL LLC.

Standard(s) for Safety: UL 1977, Edition 4, Issue Date 2022-12-07

Additional Information: See the UL Online Certifications Directory at
<https://iq.ulprospector.com> for additional information

This Certificate of Compliance indicates that representative samples of the product described in the certification report have met the requirements for UL certification. It does not provide authorization to apply the UL Recognized Component Mark. Only the Authorization Page that references the Follow-Up Services Procedure for ongoing surveillance provides authorization to apply the UL Mark.

Only those products bearing the UL Recognized Component Mark should be considered as being UL Certified and covered under UL's Follow-Up Services.

Look for the UL Recognized Component Mark on the product.

Deborah Jennings-Conner

Deborah Jennings-Conner, VP Regulatory Services

UL LLC



Any information and documentation involving UL Mark services are provided on behalf of UL LLC (UL) or any authorized licensee of UL. For questions, please contact a local UL Customer Service Representative at <http://ul.com/about/locations/>

CERTIFICATE OF COMPLIANCE

Certificate Number UL-US-L93427-12-01204991-1
Report Reference E93427-19940210
Date 15-Jun-2023

This is to certify that representative samples of the product as specified on this certificate were tested according to the current UL requirements

Model	Category Description
SP1 Series (Size A serial 210) , 43 1713 XXX 04, where XXX could be a three digit number except 411	Plug
MSD3 Series (Size A serial 210) , 43-1700-XXX-03	Connector bodies
SP1 Series (Size A serial 210) , 43-1701-XXX-03	Plug
MSD3 Series (Size A serial 210) , 43-1702-XXX-04	Connector bodies
SP1 Series (Size A serial 210) , 43-1703-XXX-04, where XXX could be a three digit number except 411	Plug
SP1 Series (Size A serial 210) , 43-1709-XXX-03	Plug
SP1 Series (Size A serial 210) , 43-1711-XXX-04, where XXX could be a three digit number except 411	Plug
SP1 Series (Size A serial 210) , 43-1715-XXX-04, where XXX could be a three digit number except 411	Plug
SP1 Series (Size A serial 210) , 43-1717-XXX-03	Plug
SP1 Series (Size A serial 210) , 43-1719-XXX-04, where XXX could be a three digit number except 411	Plug
SP1 Series (Size A serial 210) , 43-1721-XXX-03	Plug
SP1 Series (Size A serial 210) , 43-1723-XXX-04, where XXX could be a three digit number except 411	Plug

Deborah Jennings-Conner

Deborah Jennings-Conner, VP Regulatory Services

UL LLC

Any information and documentation involving UL Mark services are provided on behalf of UL LLC (UL) or any authorized licensee of UL. For questions, please contact a local UL Customer Service Representative at <http://ul.com/about/locations/>



EU DECLARATION OF CONFORMITY

Manufacturer	Franz Binder GmbH & Co. Elektrische Bauelemente KG Rötelstraße 27 D-74172 Neckarsulm
Part no.	43 1700 004 03
Product	
Series	series 210

This product complies with the requirements of the following European Directive:
Directive 2014/35/EU of the European Parliament and of the council of 26 February 2014 on the harmonisation of the laws of the Member States relating to the making available on the market of electrical equipment designed for use within certain voltage limits (recast).

The following harmonized standards have been applied for conformity assessment:

EN 60204-1:2018;EN 60529:1991 *)

*) This standard is currently not harmonized

References to standards apply to references to their amendments, if these amendments are listed to the respective directives in the Official Journal of the European Union.

This declaration of conformity is issued under the sole responsibility of the manufacturer.

Neckarsulm, 2025-03-05



i.A. Soner Cakar
Product Compliance Manager

UKCA DECLARATION OF CONFORMITY

Manufacturer	Franz Binder GmbH & Co. Elektrische Bauelemente KG Rötelstraße 27 D-74172 Neckarsulm
Object of the declaration	Connector (COC)
Product	43 1700 004 03

The object of the declaration described above is in conformity with the relevant UK-Regulations and UK-Guidelines:

The Electrical Equipment (Safety) Regulations 2016
STATUTORY INSTRUMENTS
2016 No. 1101
CONSUMER PROTECTION
HEALTH AND SAFETY

References of standards and/ or technical specifications applied for this declaration of conformity, or parts thereof:

2016 No. 1101: EN 61984:2009 *)

*) This standard is currently not listed in the assigned directive.

This declaration is issued under the sole responsibility of the manufacturer.

Neckarsulm, 2025-03-05



i.A. Soner Cakar
Product Compliance Manager