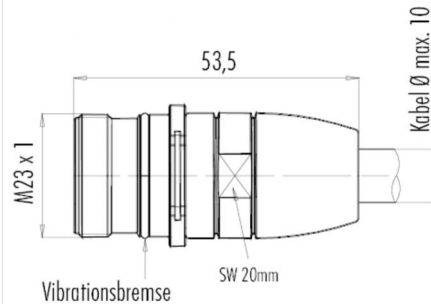


Product description **M23 female cable connector, Contacts: 9, 6.0 - 10.0 mm, shieldable, solder, IP67**
Area **M23 series 623**
Order number **99 4626 10 09**

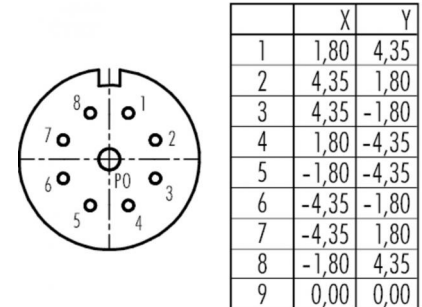
Illustration



Scale drawing



Contact arrangement (Plug-in side)



You can find the assembly instructions on the next page.

Technical data

General values

Connector design female cable connector
Connector locking system screw
Termination solder
Arrangement of contacts left-handed
Wire gauge (mm) 8x1.50 / 1x2.50 mm²
Wire gauge (AWG) 8x16 / 1x14
Cable outlet 6.0 - 10.0 mm
Upper limit temperature 125 °C
Lower limit temperature - 20 °C
Customs tariff number 85369010
Packaging Unit 80

Electrical values

Rated current (40 °C) 8 x 8 A / 1 x 20 A
Rated voltage 300 V
Rated impulse voltage 2500 V
Pollution degree 3
Overvoltage category II
Insulating material group III
Insulation resistance $\geq 10^{10} \Omega$
EMC compliance shieldable
Degree of protection IP67
Mechanical operation > 50 Mating cycles

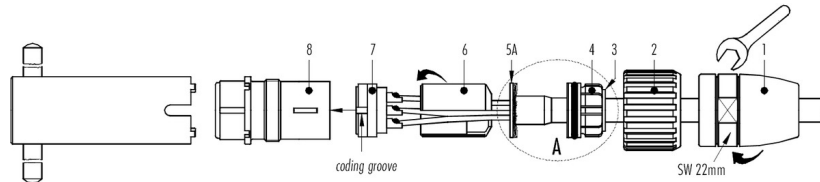
Material

Contact material CuSn (bronze)
Contact plating Au (gold)
Contact body material PBT/PA66
REACH SVHC CAS 7439-92-1 (Lead)

Product description **M23 female cable connector, Contacts: 9, 6.0 - 10.0 mm, shieldable, solder, IP67**

Area **M23 series 623**
 Order number **99 4626 10 09**

Assembly instructions / Panel cut-out



- Adapter Pos. 1, Überwurfmutter Pos. 2, Dichtelement Pos. 4 mit Dichtring Pos. 3 auf das Kabel schieben.
- Kabel-Außenmantel 23 mm abisolieren.
- Detail A: Schirmgeflecht 90° hochstellen, Schirmhülse Pos. 5A über die Folie bzw. Baumwollgeflecht jedoch unter das Schirmgeflecht mit drehender Bewegung schieben. Schirmgeflecht bündig mit Außendurchmesser Schirmhülse Pos. 5A abschneiden.
- Folie, Füller und innere Isolierungen abschneiden.
- Litzen 3,5 mm abisolieren, verdrehen und verzinnen.
- Litzen an Kontakte löten, crimpen oder schrauben.
- Distanzhülse Pos. 6 einfügen.
- Einsatz Pos. 7 und Distanzhülse Pos. 6 in Einsatzhülse Pos. 8 einführen. Hierbei ist zu beachten, daß die gewünschte Kodiermut des Einsatzes Pos. 7 in den Kodiersteg eingeführt wird.
- Kabel mit Schirm- und Dichteinheit eindrücken.
- Adapter Pos. 1 Festschrauben auf Anschlag.

Anzugsdrehmoment für Klemmschraube Kontakteinsatz Pos. 7 mit Schraubkontakten beachten:

- max. 0,1 Nm für Schraubkontakte Steckdurchmesser 1 mm
- max. 0,2 Nm für Schraubkontakte Steckdurchmesser 2 mm

Product description	M23 female cable connector, Contacts: 9, 6.0 - 10.0 mm, shieldable, solder, IP67
Area	M23 series 623
Order number	99 4626 10 09

Security notices

The connector must not be connected or separated under load. Non-observance and incorrect use can result in personal injury.

The connectors are designed for use in plant, control system and electrical equipment. The end user is responsible for checking whether the connectors are suitable for use in other applications.

Connectors used in electrical circuits containing hazardous life parts must only be assembled and used by or under the supervision of persons with the requisite electrotechnical training, taking the applicable regulations and standards into account.

Connectors with degree of protection IP 67 and IP 68 are not suitable for use under water. When used outdoors, the connectors must be separately protected against corrosion. For further information about IP degrees of protection refer to 'Technical support' in the Download Centre.

To lock the cable connector to the equipment connector, the threaded ring is tightened until it is 'finger-tight' (approx. 50 cNm).